

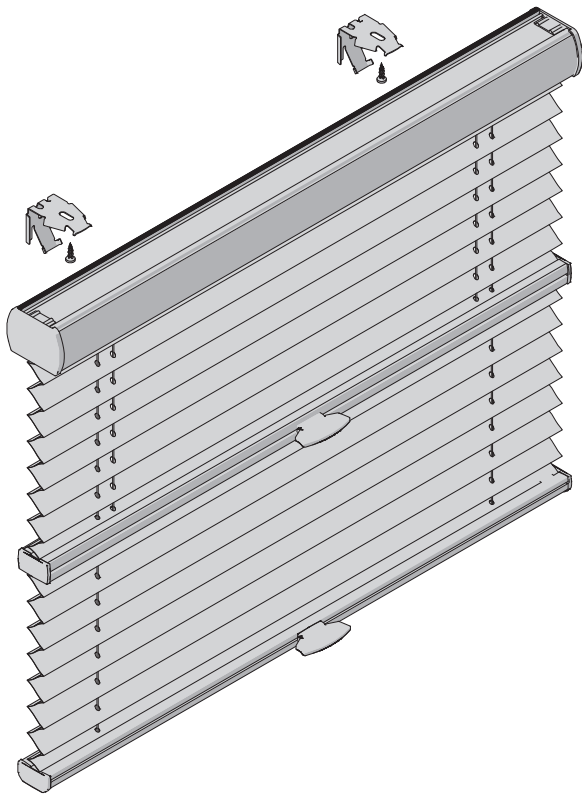
# Installation TopFix / RecessFix [R1]

Do not damage the product when using a sharp knife to open the packaging! Fitting screws: Use a size-2 screwdriver (PO-ZIDRIVE) or use an electric screwdriver at it's lowest torque.  
 Rail removal: Use a flat screwdriver of max. 6 mm wide. Only

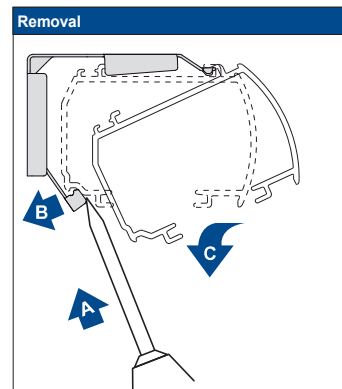
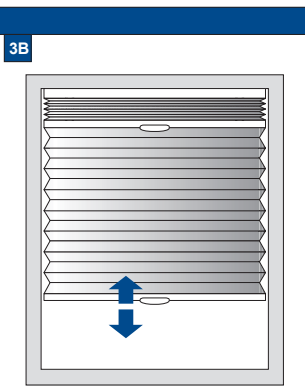
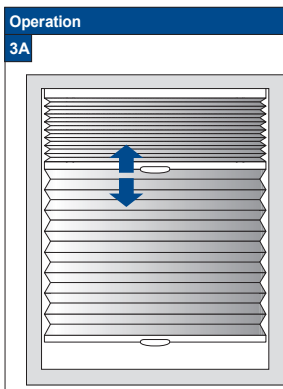
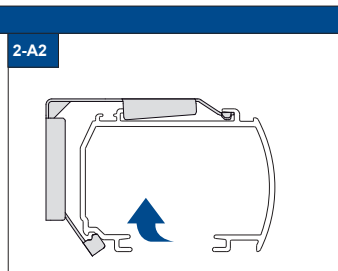
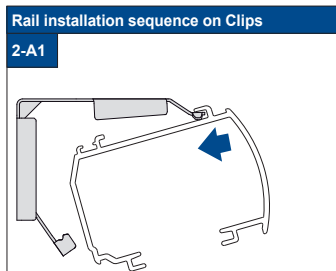
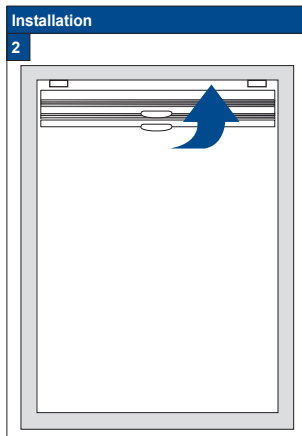
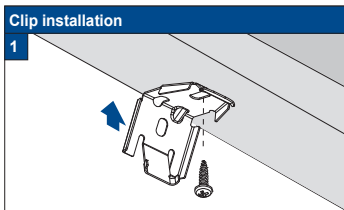
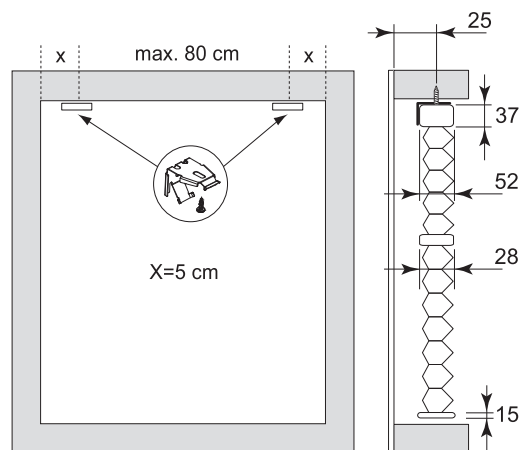
use the original screws enclosed, to prevent malfunctioning from using too thick screw heads!

**Model**  
**25/AB30**  
**25/AB31**

Installation and User's manual PB - GB



Product width	Number of parts	
30 - 90 cm	2	2
90 - 180 cm	3	3
180 - 240 cm	4	4



14-10-2014

## FaceFix installation to a window frame / wall [F1]

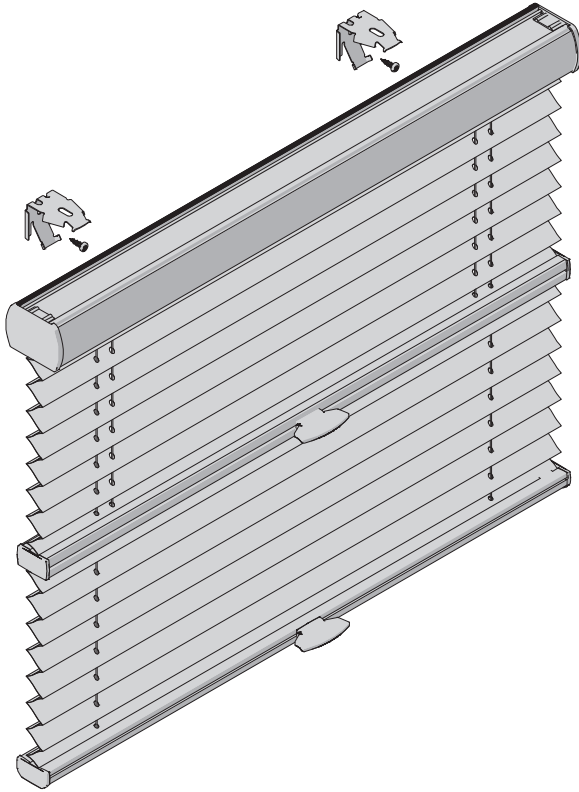
Do not damage the product when using a sharp knife to open the packaging! Fitting screws: Use a size-2 screwdriver (PO-ZIDRIVE) or use an electric screwdriver at it's lowest torque.



Rail removal: Use a flat screwdriver of max. 6 mm wide. Only

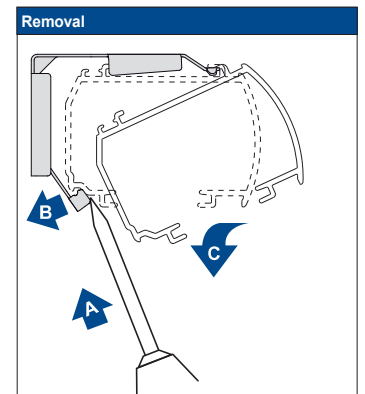
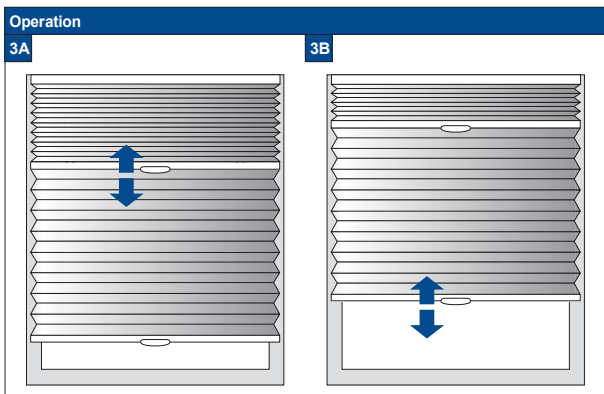
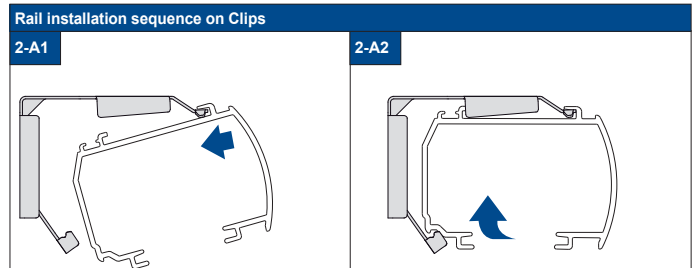
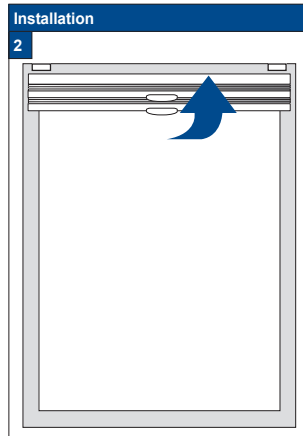
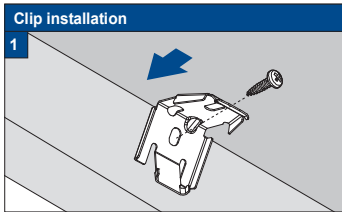
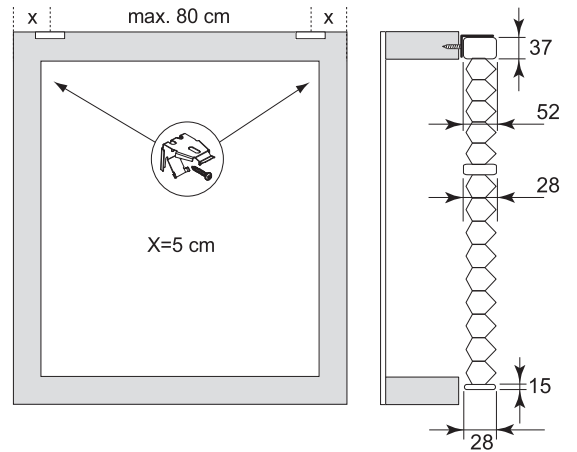
use the original screws enclosed, to prevent malfunctioning from using too thick screw heads!

**Model**  
**25/AB30**  
**25/AB31**

Installation and User's manual PB - GB



Product width	Number of parts	
		
30 - 90 cm	2	2
90 - 180 cm	3	3
180 - 240 cm	4	4



14-10-2014

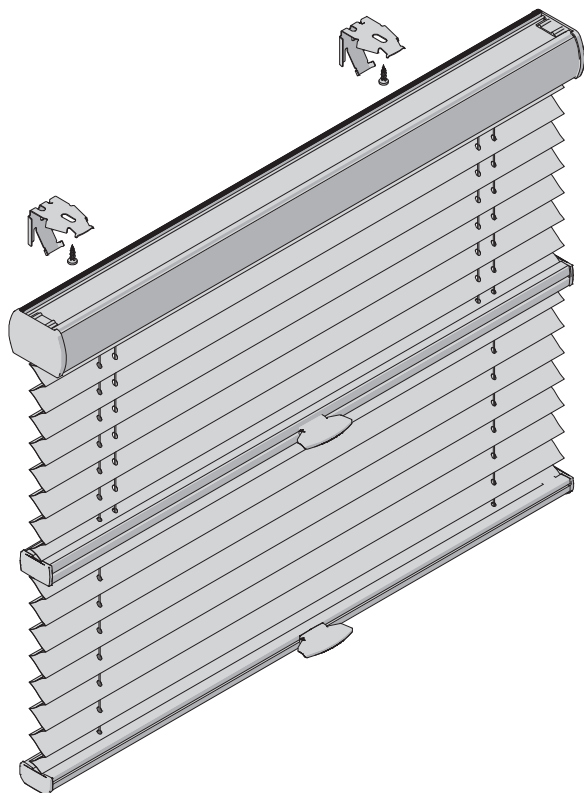
# Installation TopFix / RecessFix [R1]

Do not damage the product when using a sharp knife to open the packaging! Fitting screws: Use a size-2 screwdriver (PO-ZIDRIVE) or use an electric screwdriver at it's lowest torque.  
 Rail removal: Use a flat screwdriver of max. 6 mm wide. Only

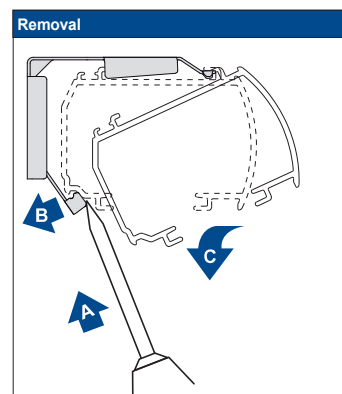
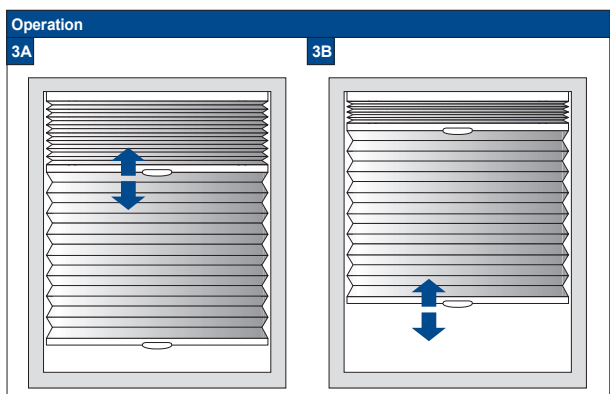
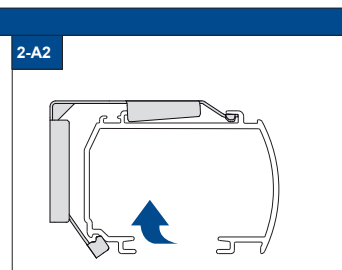
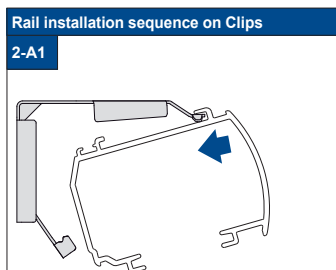
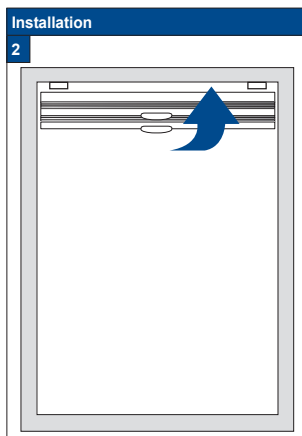
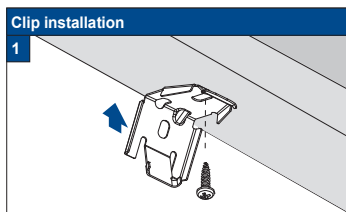
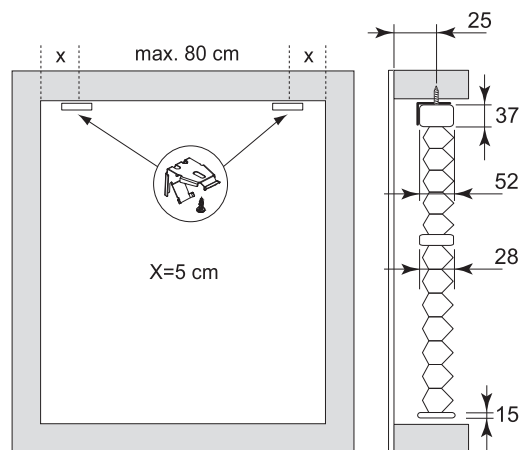
use the original screws enclosed, to prevent malfunctioning from using too thick screw heads!

**Model**  
**32/AB30**  
**32/AB31**

Installation and User's manual PB - GB



Product width	Number of parts	
30 - 90 cm	2	2
90 - 180 cm	3	3
180 - 240 cm	4	4



14-10-2014

## FaceFix installation to a window frame / wall [F1]

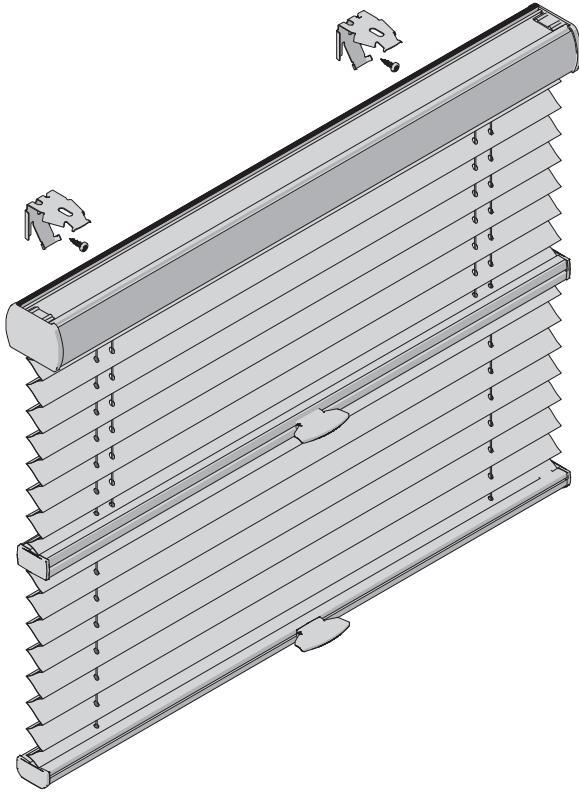
Do not damage the product when using a sharp knife to open the packaging! Fitting screws: Use a size-2 screwdriver (PO-ZIDRIVE) or use an electric screwdriver at it's lowest torque.



Rail removal: Use a flat screwdriver of max. 6 mm wide. Only

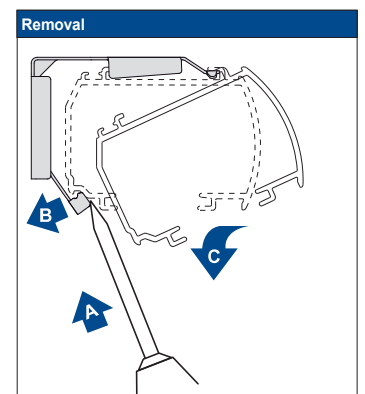
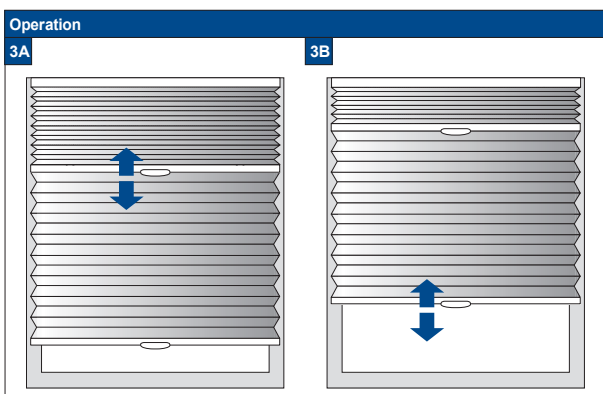
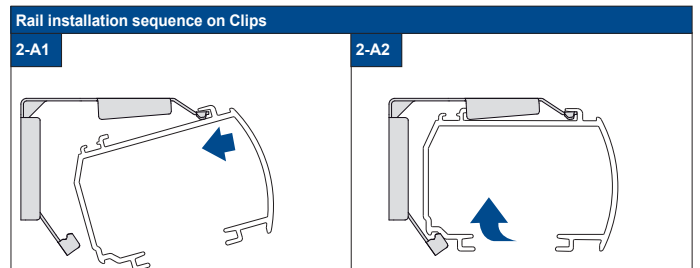
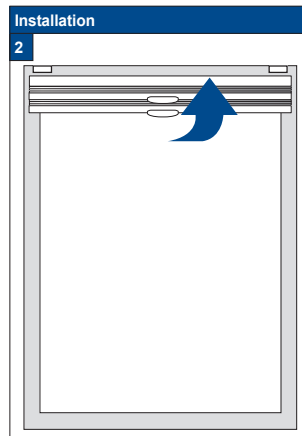
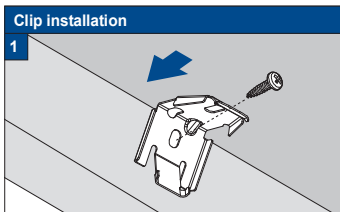
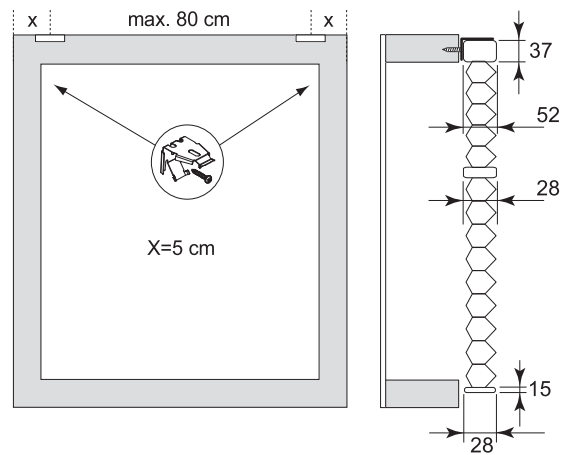
use the original screws enclosed, to prevent malfunctioning from using too thick screw heads!

**Model**  
**32/AB30**  
**32/AB31**

Installation and User's manual PB - GB



Product width	Number of parts	
		
30 - 90 cm	2	2
90 - 180 cm	3	3
180 - 240 cm	4	4



08-09-2014

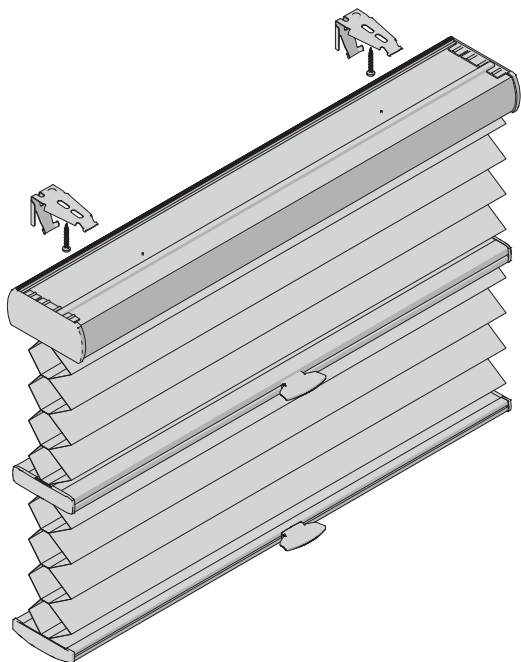
# Installation TopFix / RecessFix [R1]



Do not damage the product when using a sharp knife to open the packaging! Fitting screws: Use a size-2 screwdriver (PO-ZIDRIVE) or use an electric screwdriver at it's lowest torque. use the original screws enclosed, to prevent malfunctioning from using too thick screw heads!

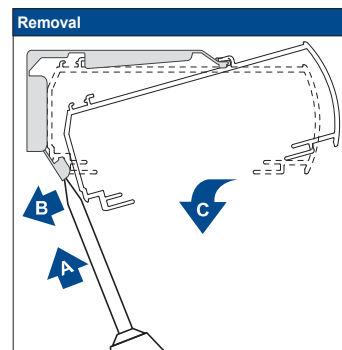
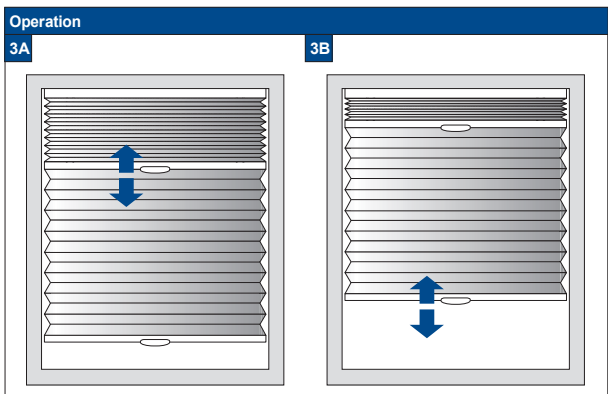
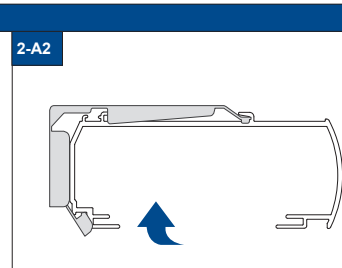
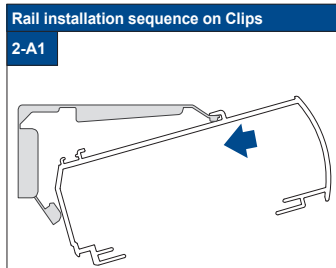
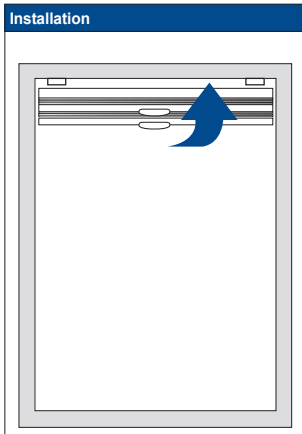
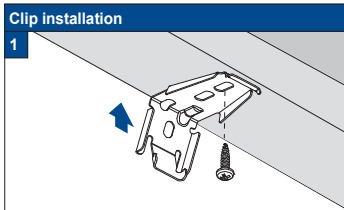
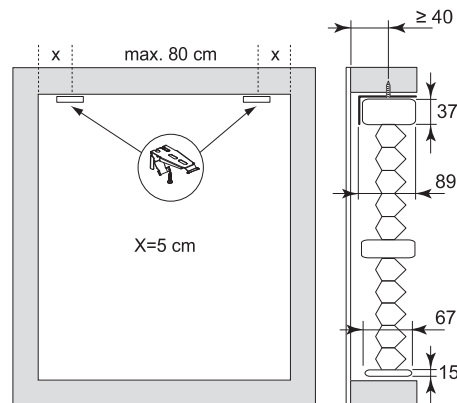
Rail removal: Use a flat screwdriver of max. 6 mm wide. Only

**Model**  
**64/AB30**  
**64/AB31**

Installation and User's manual PB - GB



Product width	Number of parts	
		
30 - 90 cm	2	2
90 - 180 cm	3	3
180 - 240 cm	4	4



08-09-2014

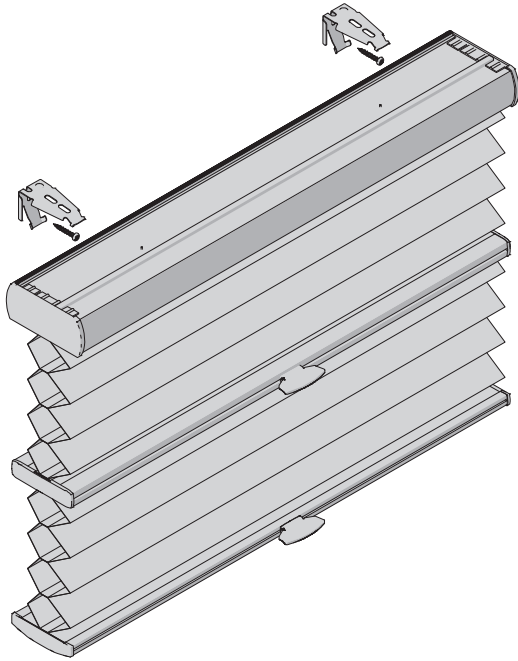
## FaceFix installation to a window frame / wall [F1]



Do not damage the product when using a sharp knife to open the packaging! Fitting screws: Use a size-2 screwdriver (PO-ZIDRIVE) or use an electric screwdriver at it's lowest torque.

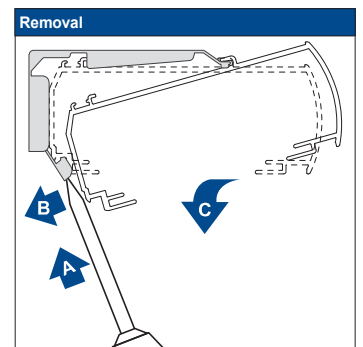
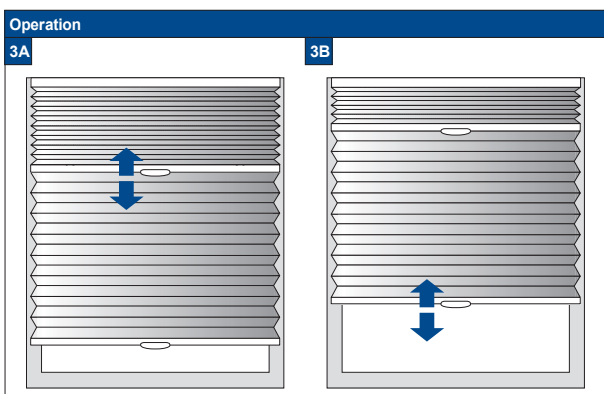
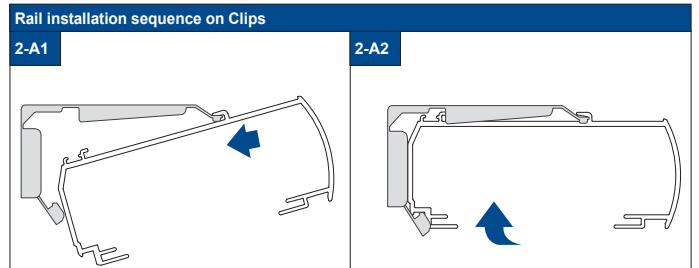
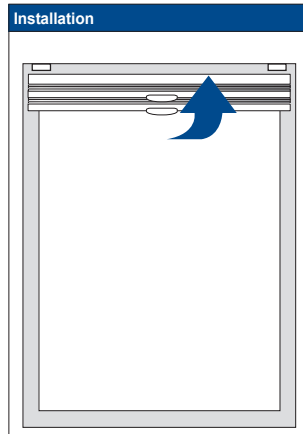
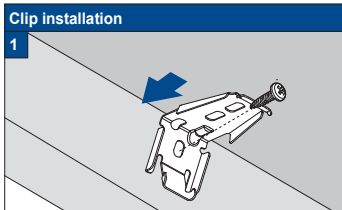
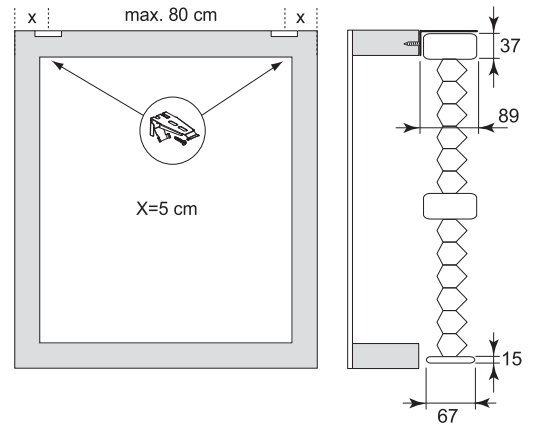
Rail removal: Use a flat screwdriver of max. 6 mm wide. Only

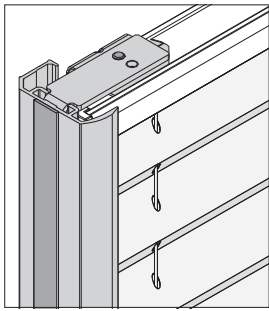
use the original screws enclosed, to prevent malfunctioning from using too thick screw heads!

**Model**  
64/AB30  
64/AB31



Product width	Number of parts	
		
30 - 90 cm	2	2
90 - 180 cm	3	3
180 - 240 cm	4	4





## Installation RecessFix



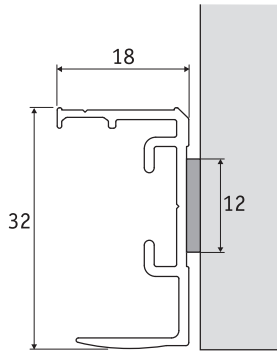
Do not damage the product when using a sharp knife to open the packaging! Fitting screws: Use a size-2 screwdriver (POZIDRIVE) or use an electric screwdriver at it's lowest torque. Rail removal: Use a flat screwdriver of max. 6 mm wide. Only use the original screws enclosed, to prevent malfunctioning from using too thick screw heads!

### Installation Option

**A1**

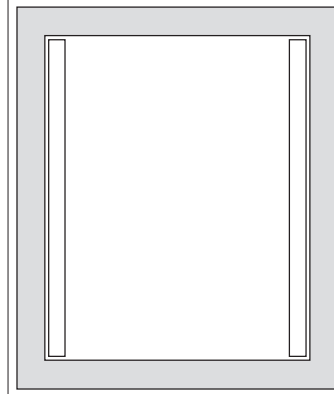
#### RecessFix installation

1



#### Check the size of the supplied rails

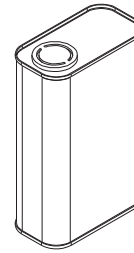
2



#### Note

2A

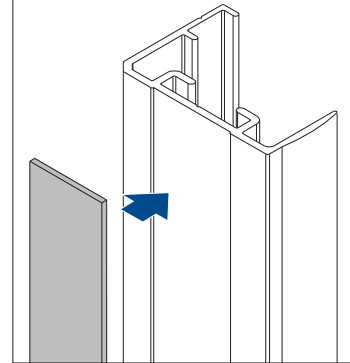
Thoroughly clean the window frame surface (only suitable for alu/PVC frames) with cleaner Nr 29.1741.0000 before applying the profiles with self-adhesive tape.



#### Apply the tape

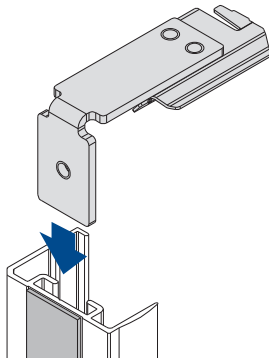
3

Apply the tape



#### Installing the top SideBracket

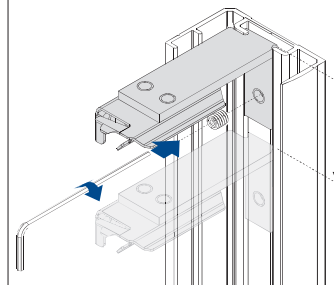
4



#### Securing the SideBracket

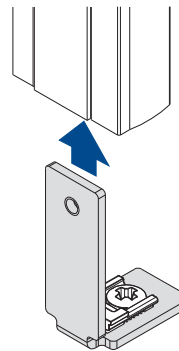
5A

SideBracket with socket-head Grubscrews M4. The height can be adjusted, e.g. for required ventilation purposes



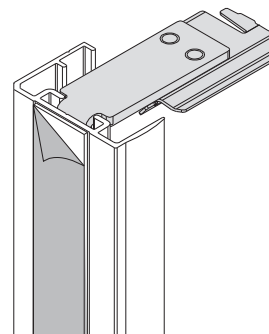
#### Installing the bottom SideBracket

5B



#### Remove the backing from the adhesive tape

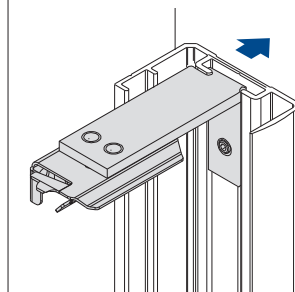
6



#### Securing the Sidecover U-profile

7

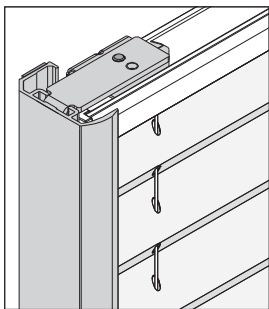
Firmly push the Sidecover U-profile (channel) onto the pre-cleaned mounting surface. Let the tape settle and cure for at least 60 minutes!



#### Click blind into the clips

8

See the specific model installation manual for further instructions



## FaceFix Installation



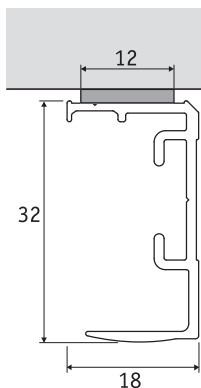
Do not damage the product when using a sharp knife to open the packaging! Fitting screws: Use a size-2 screwdriver (POZIDRIVE) or use an electric screwdriver at it's lowest torque. Rail removal: Use a flat screwdriver of max. 6 mm wide. Only use the original screws enclosed, to prevent malfunctioning from using too thick screw heads!

### Installation Option

**A1**

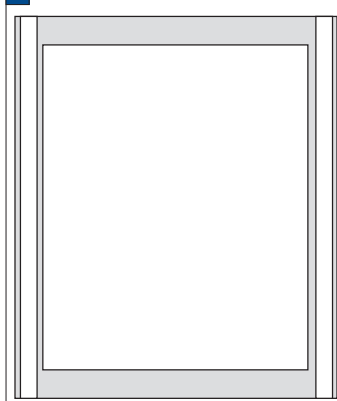
#### RecessFix installation

1



#### Check the size of the supplied rails

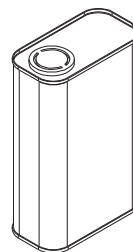
2



#### Note

2A

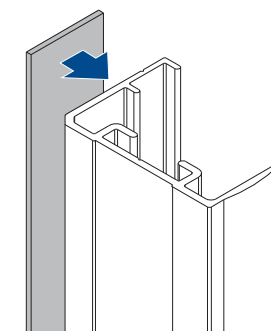
Thoroughly clean the window frame surface (only suitable for alu/PVC frames) with cleaner Nr 29.1741.0000 before applying the profiles with self-adhesive tape.



#### Apply the tape

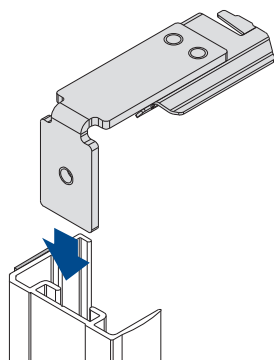
3

Apply the tape



#### Installing the top SideBracket

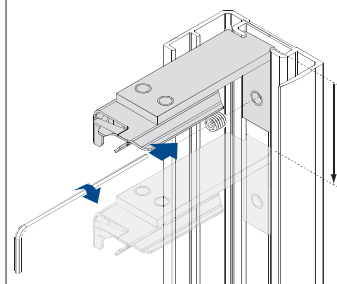
4



#### Securing the SideBracket

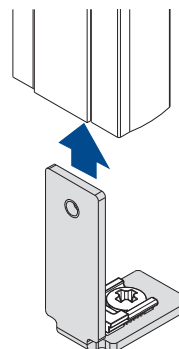
5A

SideBracket with socket-head Grubscrews M4. The height can be adjusted, e.g. for required ventilation purposes



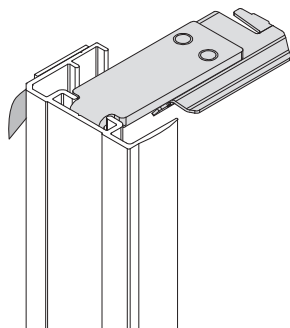
#### Installing the bottom SideBracket

5B



#### Remove the backing from the adhesive tape

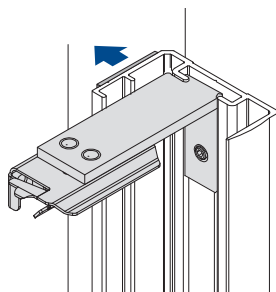
6



#### Securing the Sidecover U-profile

7

Firmly push the Sidecover U-profile (channel) onto the pre-cleaned mounting surface. Let the tape settle and cure for at least 60 minutes!

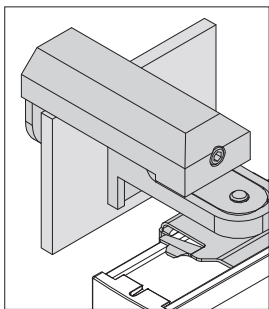


#### Click blind into the clips

8

See the specific model installation manual for further instructions



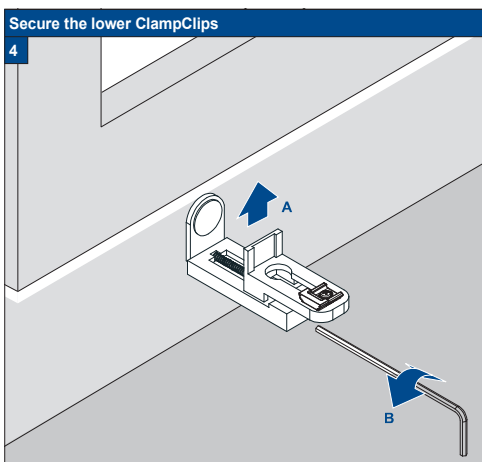
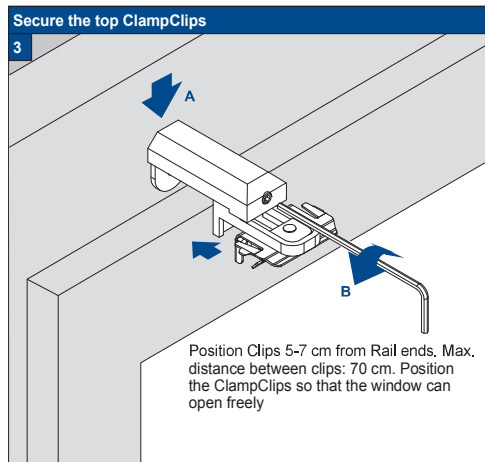
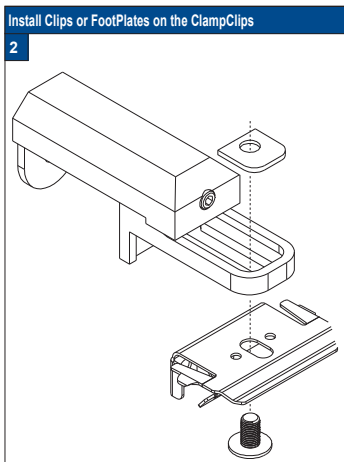
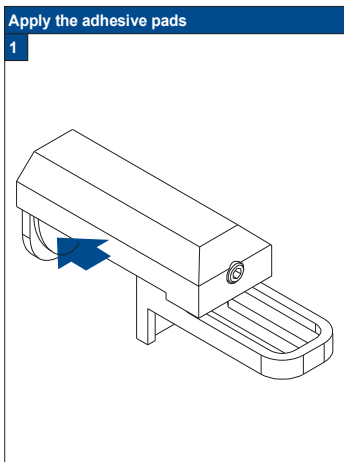


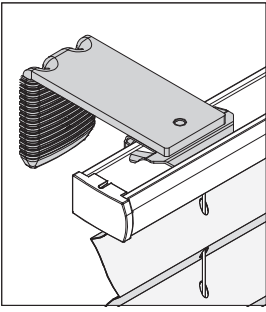
## OnFace installation

**!** Do not damage the product when using a sharp knife to open the packaging! Fitting screws: Use a size-2 screwdriver (POZIDRIVE) or use an electric screwdriver at it's lowest torque. Rail removal: Use a flat screwdriver of max. 6 mm wide. Only use the original screws enclosed, to prevent malfunctioning from using too thick screw heads!

**Installation Option**

C1





## FaceFix Installation

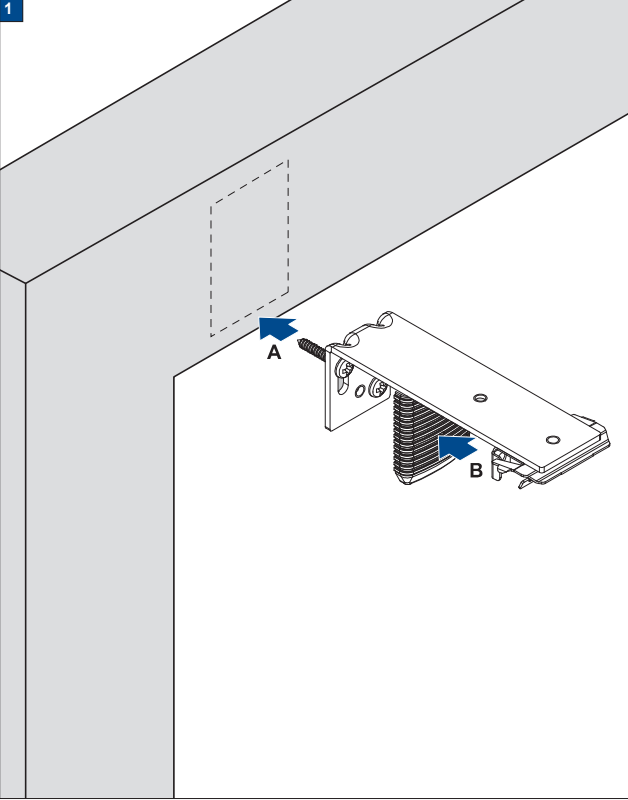


Do not damage the product when using a sharp knife to open the packaging! Fitting screws: Use a size-2 screwdriver (POZIDRIVE) or use an electric screwdriver at it's lowest torque. Rail removal: Use a flat screwdriver of max. 6 mm wide. Only use the original screws enclosed, to prevent malfunctioning from using too thick screw heads!

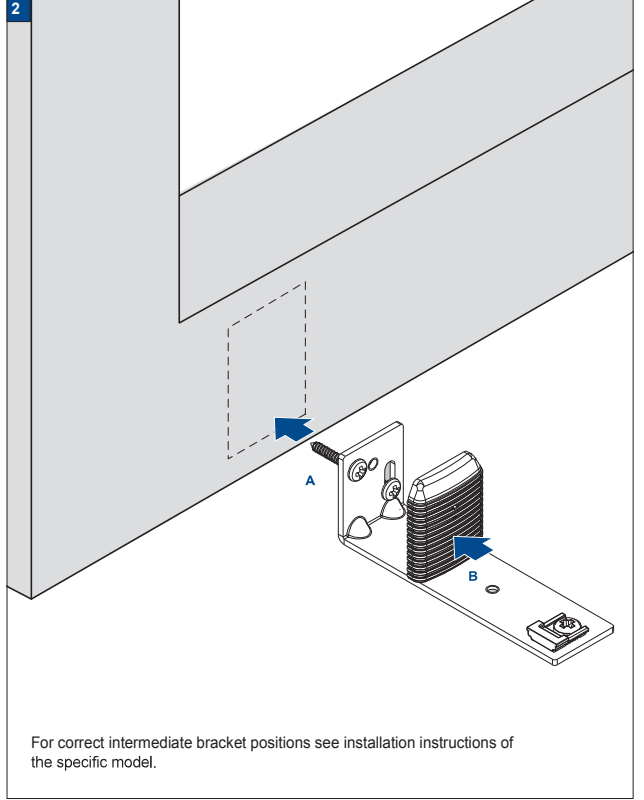
**Installation Option**

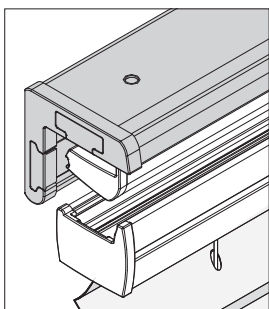
**F2-F3**

FaceFix bracket installation (top)



FaceFix bracket installation (bottom)





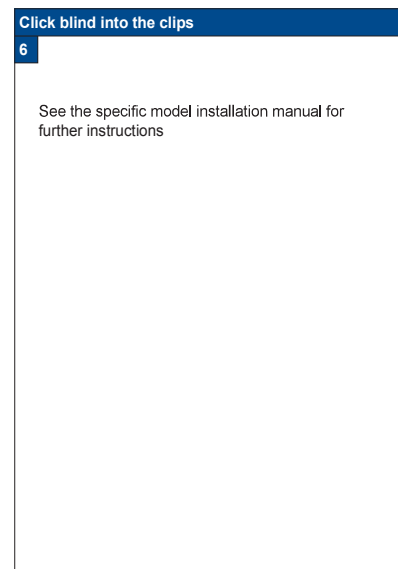
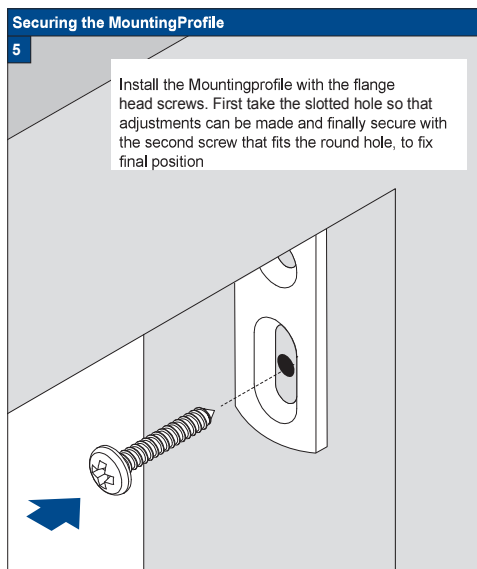
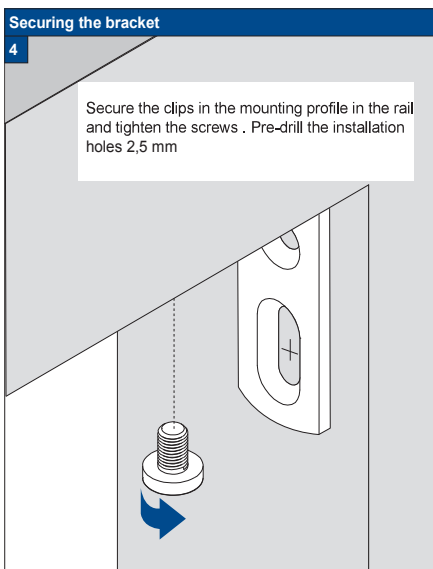
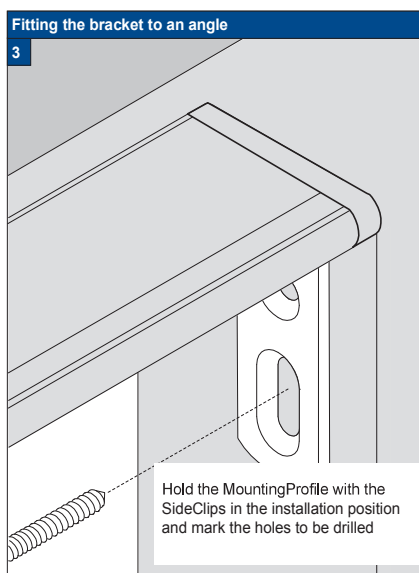
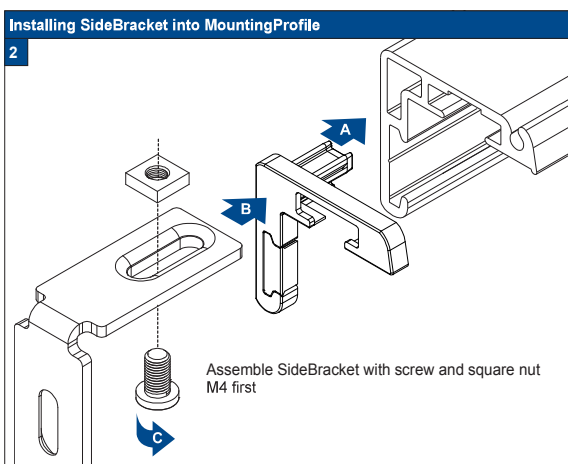
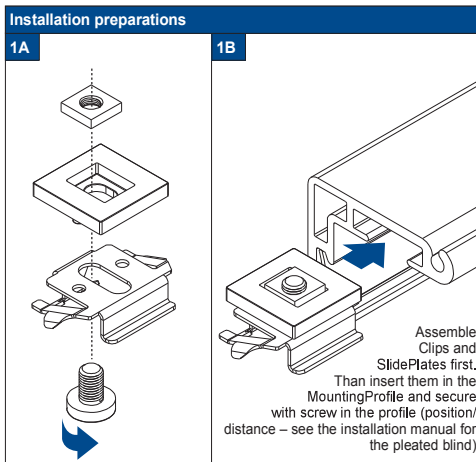
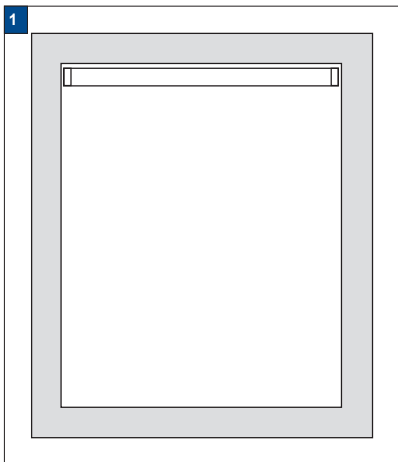
## Installation RecessFix

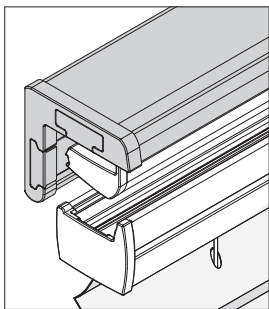


Do not damage the product when using a sharp knife to open the packaging! Fitting screws: Use a size-2 screwdriver (POZIDRIVE) or use an electric screwdriver at it's lowest torque. Rail removal: Use a flat screwdriver of max. 6 mm wide. Only use the original screws enclosed, to prevent malfunctioning from using too thick screw heads!

**Installation Option**

**M1**





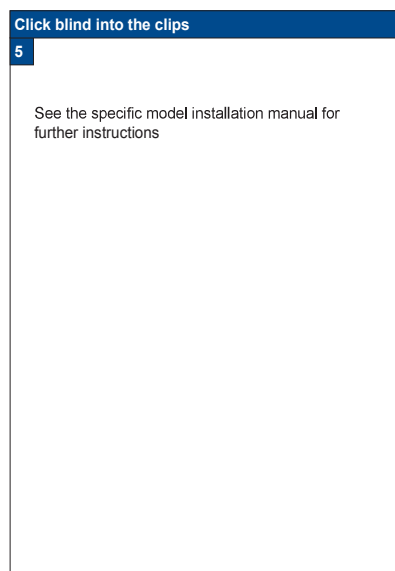
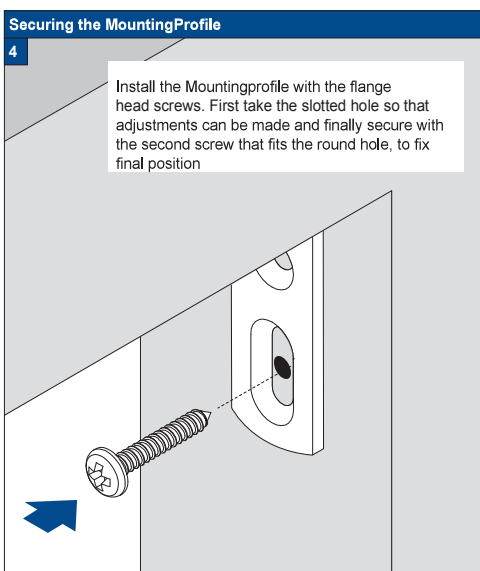
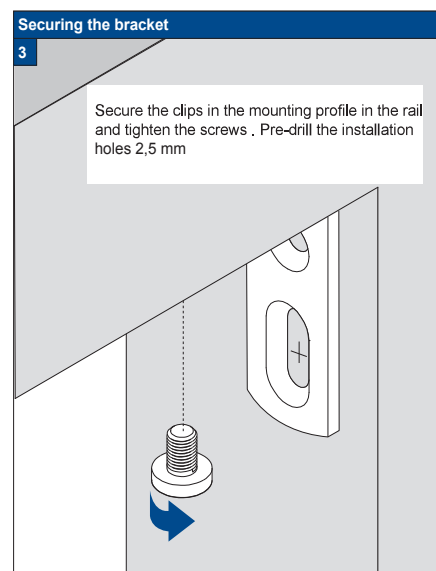
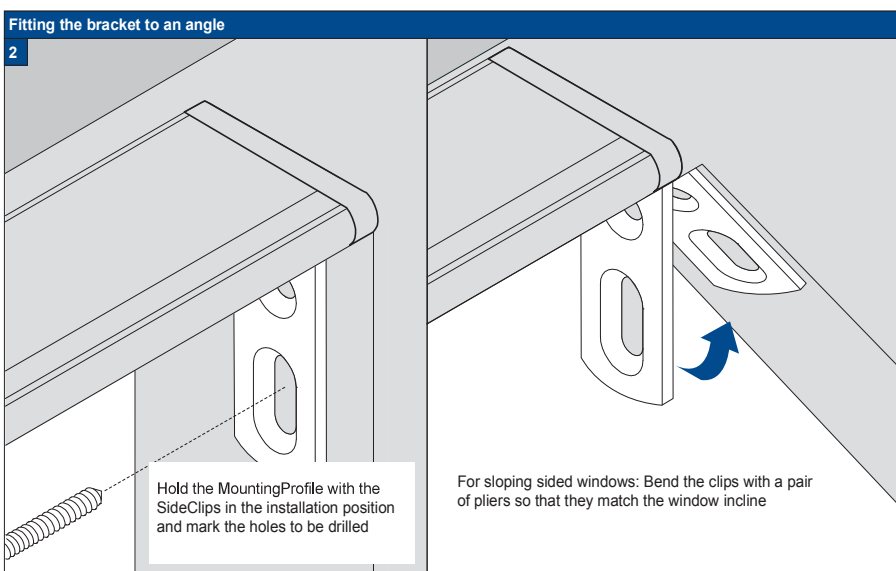
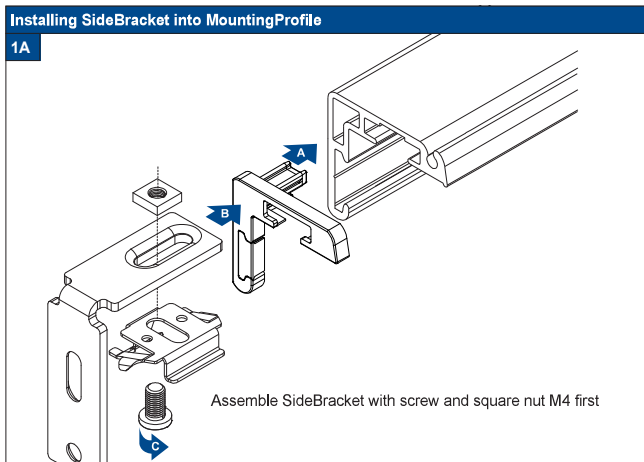
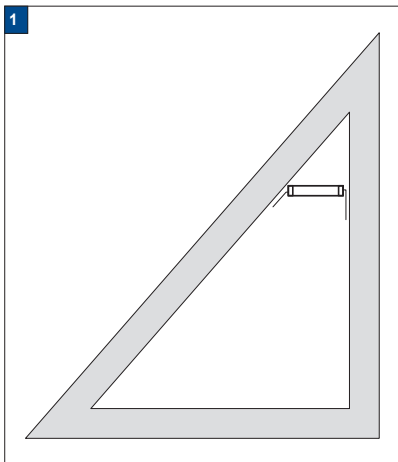
## Installation RecessFix

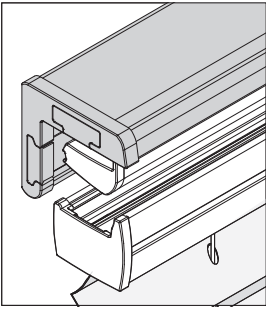


Do not damage the product when using a sharp knife to open the packaging! Fitting screws: Use a size-2 screwdriver (POZIDRIVE) or use an electric screwdriver at it's lowest torque. Rail removal: Use a flat screwdriver of max. 6 mm wide. Only use the original screws enclosed, to prevent malfunctioning from using too thick screw heads!

**Installation Option**

**M1A**





## FaceFix Installation

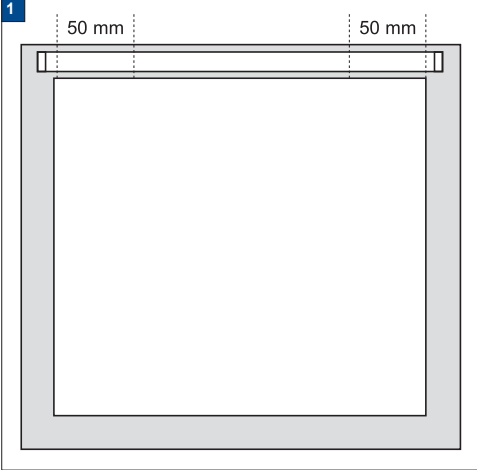


Do not damage the product when using a sharp knife to open the packaging! Fitting screws: Use a size-2 screwdriver (POZIDRIVE) or use an electric screwdriver at it's lowest torque. Rail removal: Use a flat screwdriver of max. 6 mm wide. Only use the original screws enclosed, to prevent malfunctioning from using too thick screw heads!

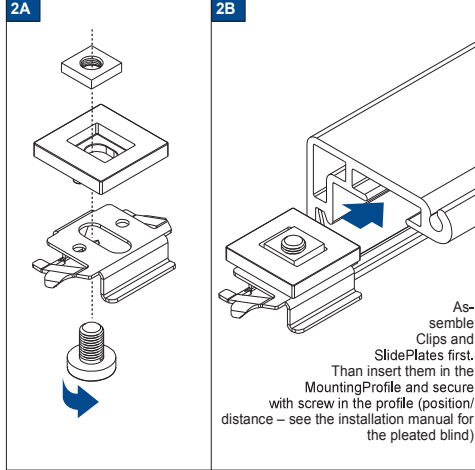
**Installation Option**

**M1**

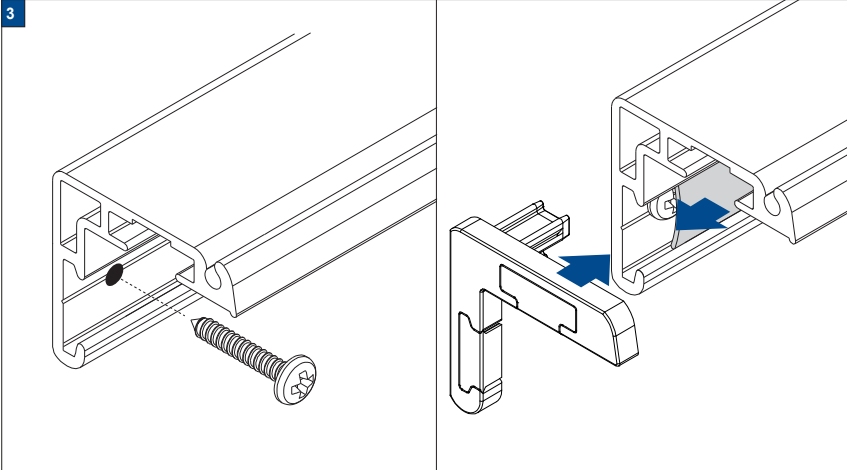
### Profile drilling 6 mm holes



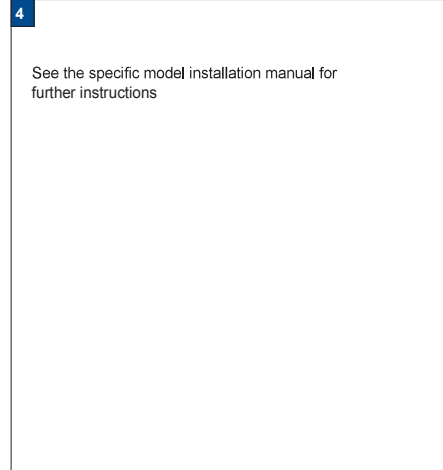
### Installation preparations



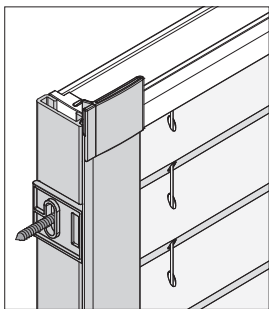
### FaceFix installation of Mountingprofile and Coverstrip



### Click blind into the clips



See the specific model installation manual for further instructions



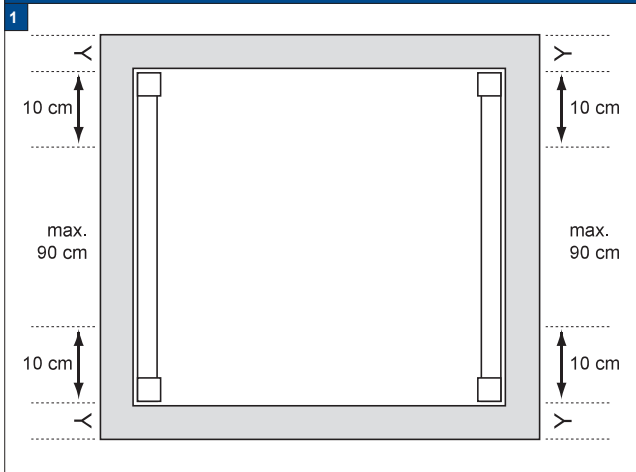
## Installation RecessFix

Do not damage the product when using a sharp knife to open the packaging! Fitting screws: Use a size-2 screwdriver (POZIDRIVE) or use an electric screwdriver at it's lowest torque. Rail removal: Use a flat screwdriver of max. 6 mm wide. Only use the original screws enclosed, to prevent malfunctioning from using too thick screw heads!

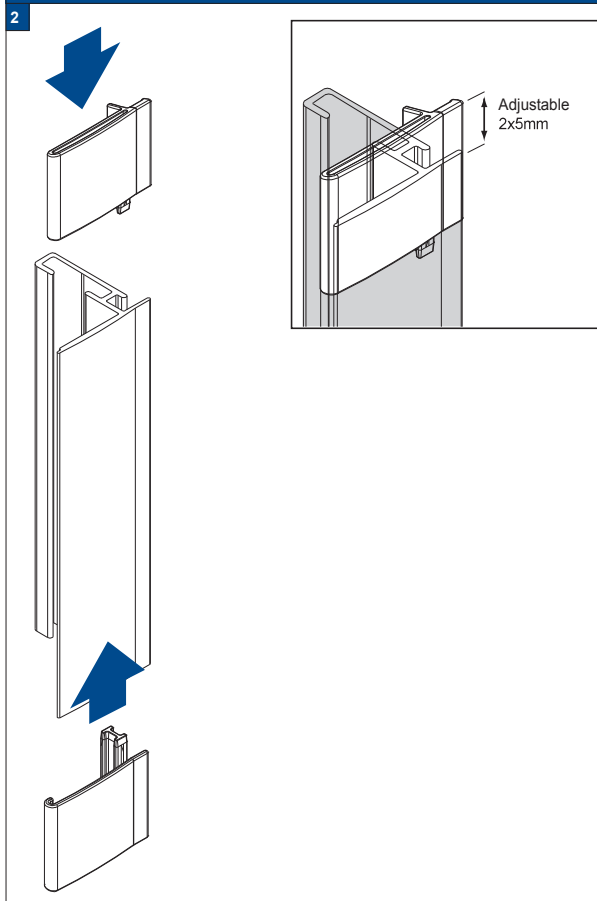
**Installation Option**

**S1**

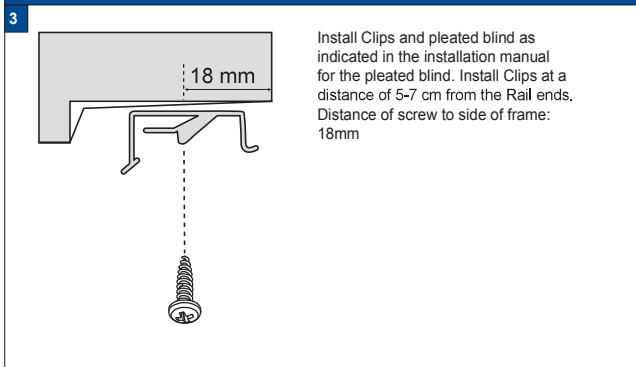
### Pre-drill hardwood 2,5 mm



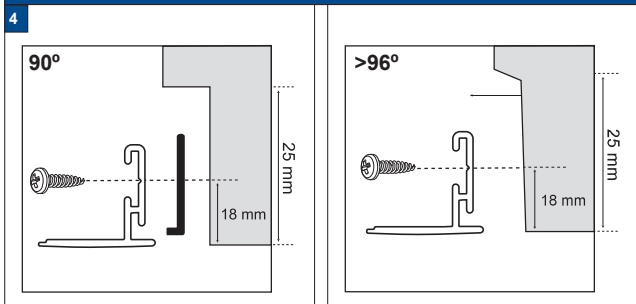
### Fitting the covers



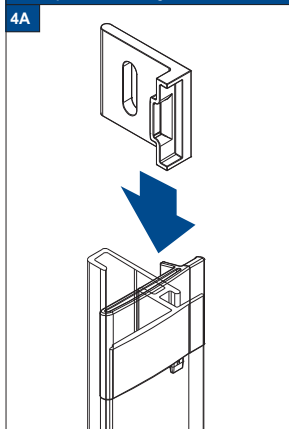
### Install the blind



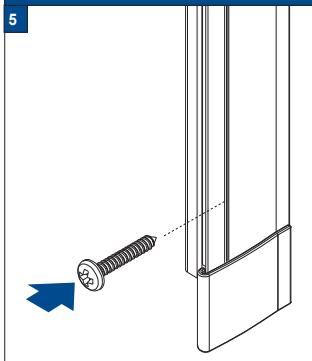
### Installation in window frame for 90° and 96°

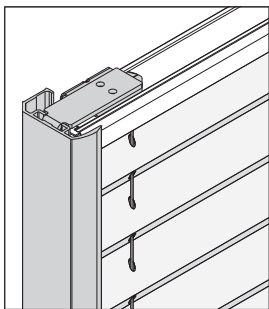


### Install spacers for 90° angle



### Secure the SideProfile





## Installation RecessFix

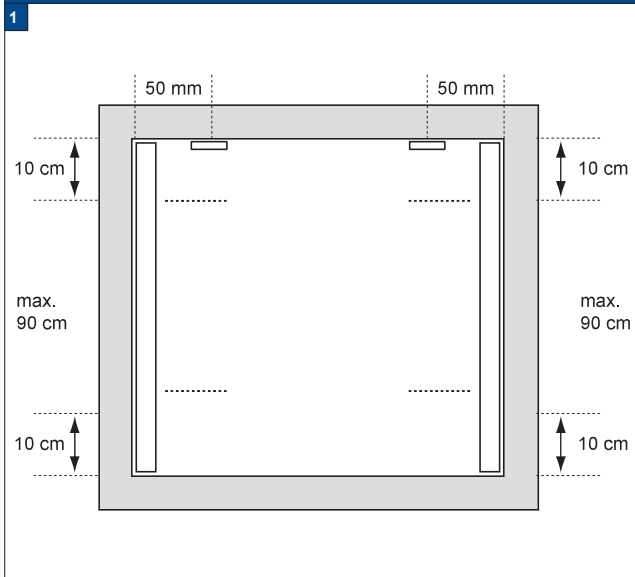


Do not damage the product when using a sharp knife to open the packaging! Fitting screws: Use a size-2 screwdriver (POZIDRIVE) or use an electric screwdriver at it's lowest torque. Rail removal: Use a flat screwdriver of max. 6 mm wide. Only use the original screws enclosed, to prevent malfunctioning from using too thick screw heads!

**Installation Option**

**S3**

### Profile drilling 6 mm holes



### RecessFix installation (90°)

2

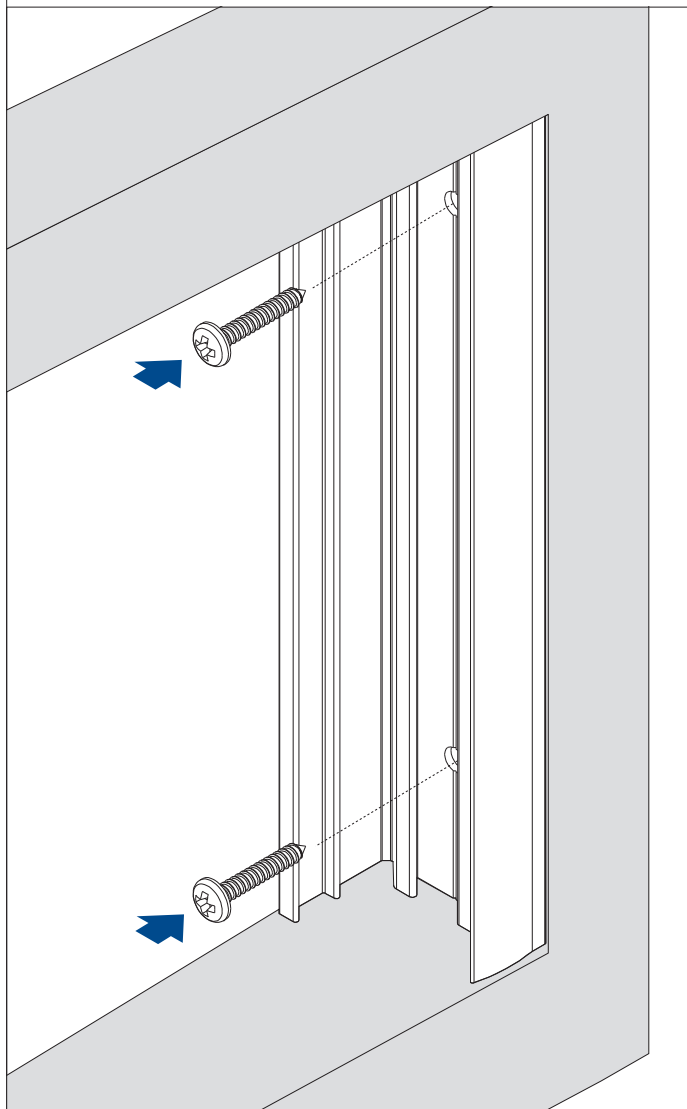
20 mm:  
 $x_1 = 16 \text{ mm}$   
 $x_2 = 16 \text{ mm}$

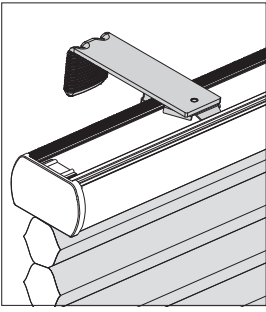
32 mm:  
 $x_1 = 20 \text{ mm}$   
 $x_2 = 22 \text{ mm}$

Hold left and right-hand SideProfiles in position, mark the holes to be drilled and drill the Profile (6 mm drill).

Install Clips at 5-7 cm. from Rail ends.

The screw-to-frame distance is 16 mm. Install the pleated blind in accordance with the installation manual for the correct model pleated blind. Install SideProfiles using the 3,5x 19mm screws nr 29.1616.0000





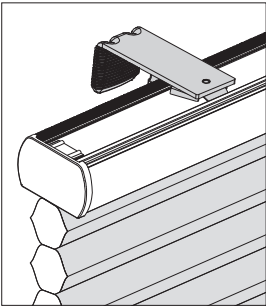
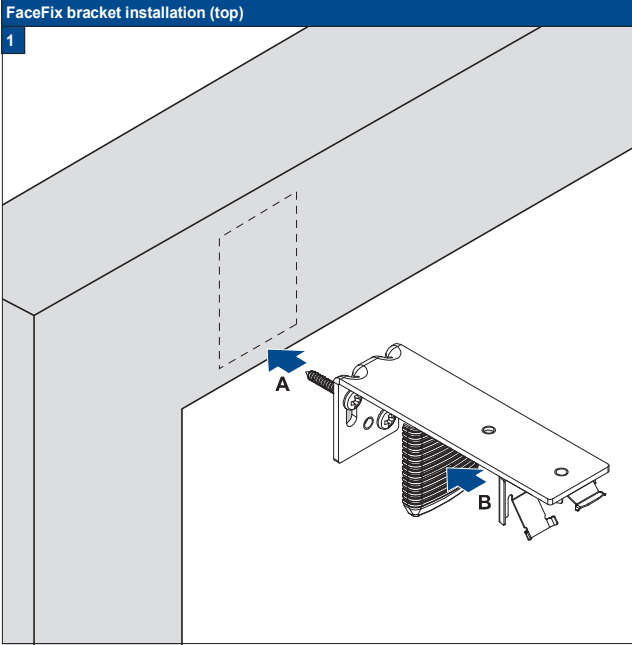
## FaceFix Installation



Do not damage the product when using a sharp knife to open the packaging! Fitting screws: Use a size-2 screwdriver (POZIDRIVE) or use an electric screwdriver at it's lowest torque. Rail removal: Use a flat screwdriver of max. 6 mm wide. Only use the original screws enclosed, to prevent malfunctioning from using too thick screw heads!

**Installation Option**

**25-32/F2**



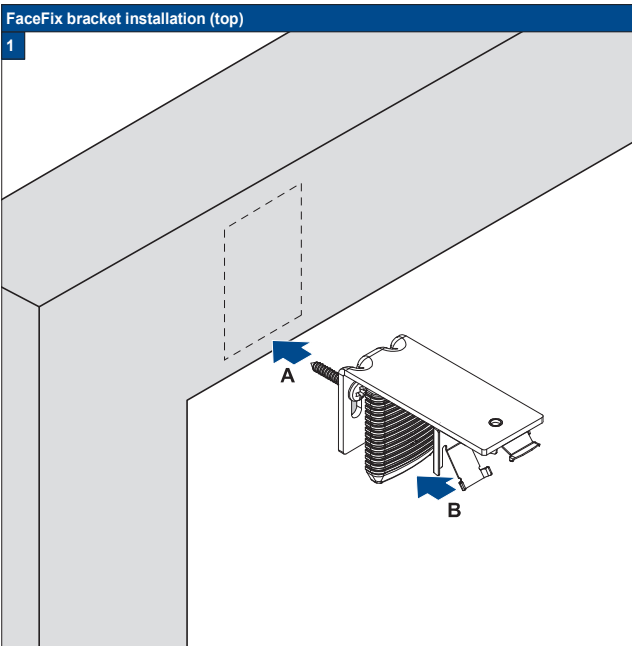
## FaceFix Installation



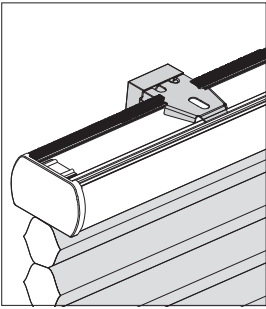
Do not damage the product when using a sharp knife to open the packaging! Fitting screws: Use a size-2 screwdriver (POZIDRIVE) or use an electric screwdriver at it's lowest torque. Rail removal: Use a flat screwdriver of max. 6 mm wide. Only use the original screws enclosed, to prevent malfunctioning from using too thick screw heads!

**Installation Option**

**25-32/F3**







## FaceFix Installation



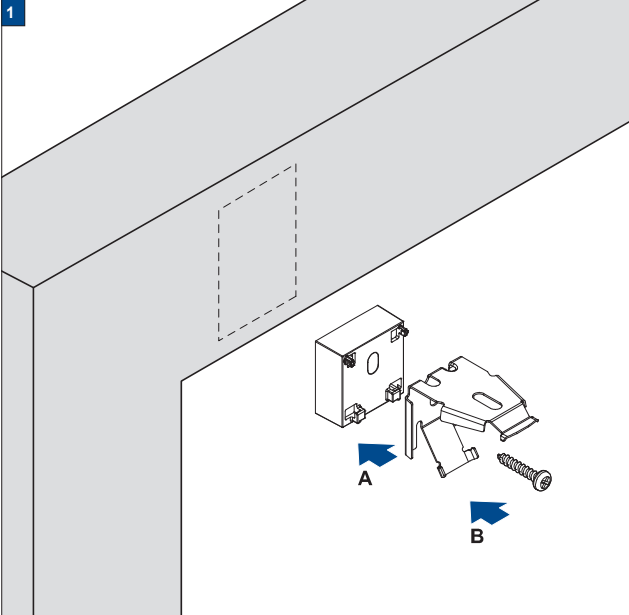
Do not damage the product when using a sharp knife to open the packaging! Fitting screws: Use a size-2 screwdriver (POZIDRIVE) or use an electric screwdriver at it's lowest torque. Rail removal: Use a flat screwdriver of max. 6 mm wide. Only use the original screws enclosed, to prevent malfunctioning from using too thick screw heads!

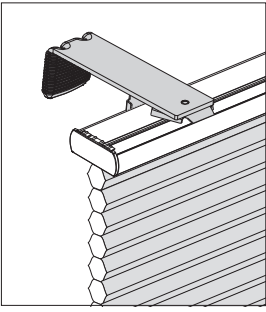
**Installation Option**

**25-32/F4**

### FaceFix bracket installation (top)

1





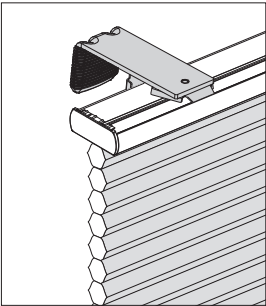
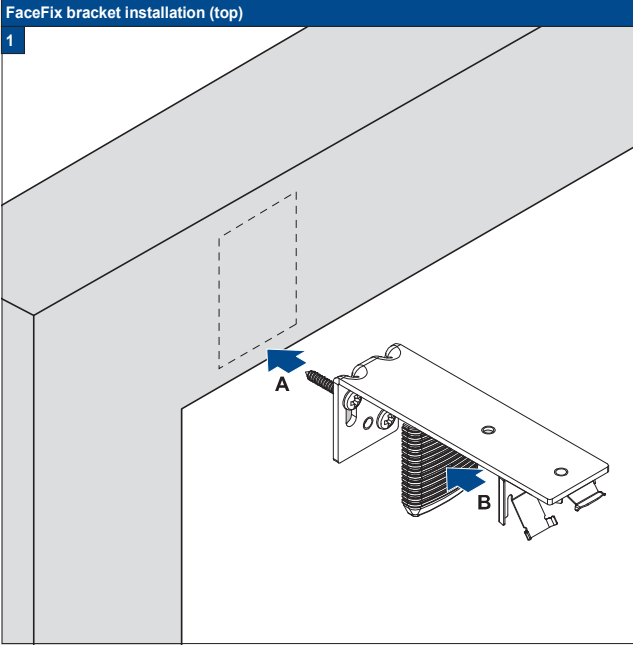
### FaceFix Installation

!

Do not damage the product when using a sharp knife to open the packaging! Fitting screws: Use a size-2 screwdriver (POZIDRIVE) or use an electric screwdriver at it's lowest torque. Rail removal: Use a flat screwdriver of max. 6 mm wide. Only use the original screws enclosed, to prevent malfunctioning from using too thick screw heads!

**Installation Option**

**64/F2**



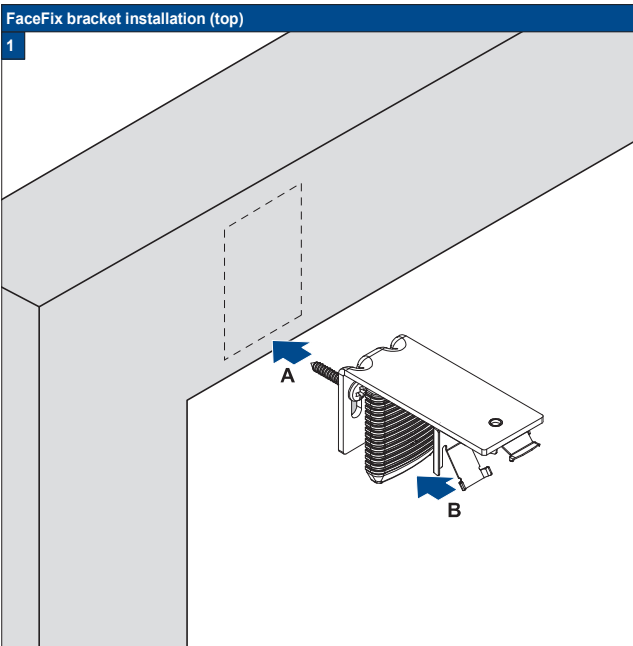
### FaceFix Installation

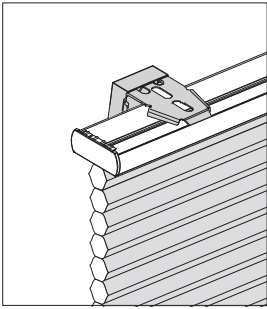
!

Do not damage the product when using a sharp knife to open the packaging! Fitting screws: Use a size-2 screwdriver (POZIDRIVE) or use an electric screwdriver at it's lowest torque. Rail removal: Use a flat screwdriver of max. 6 mm wide. Only use the original screws enclosed, to prevent malfunctioning from using too thick screw heads!

**Installation Option**

**64/F3**





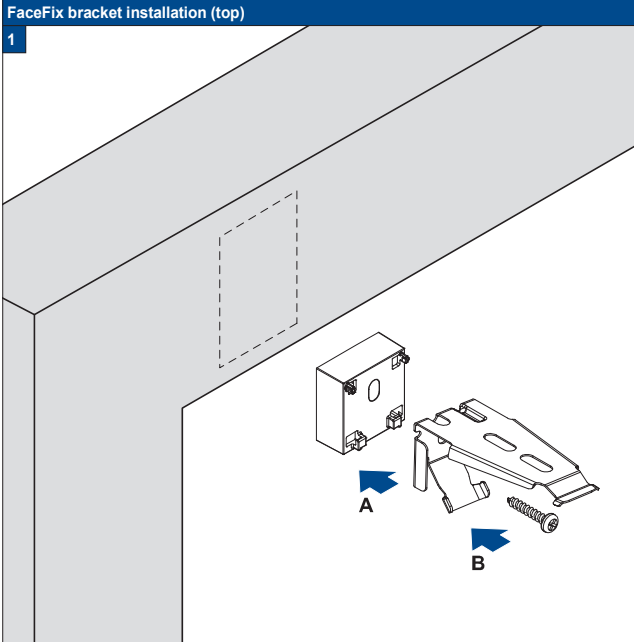
## FaceFix Installation

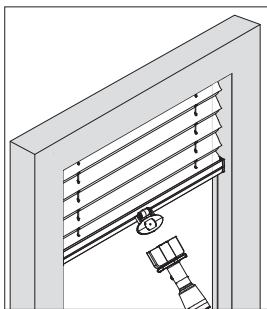


Do not damage the product when using a sharp knife to open the packaging! Fitting screws: Use a size-2 screwdriver (POZIDRIVE) or use an electric screwdriver at it's lowest torque. Rail removal: Use a flat screwdriver of max. 6 mm wide. Only use the original screws enclosed, to prevent malfunctioning from using too thick screw heads!

**Installation Option**

**64/F4**



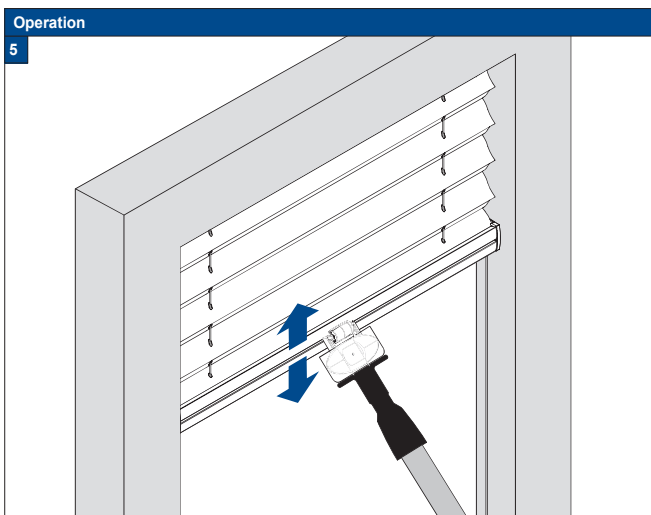
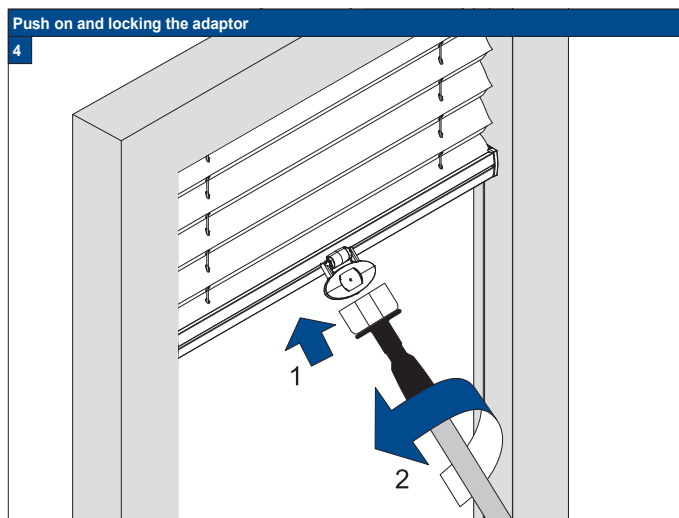
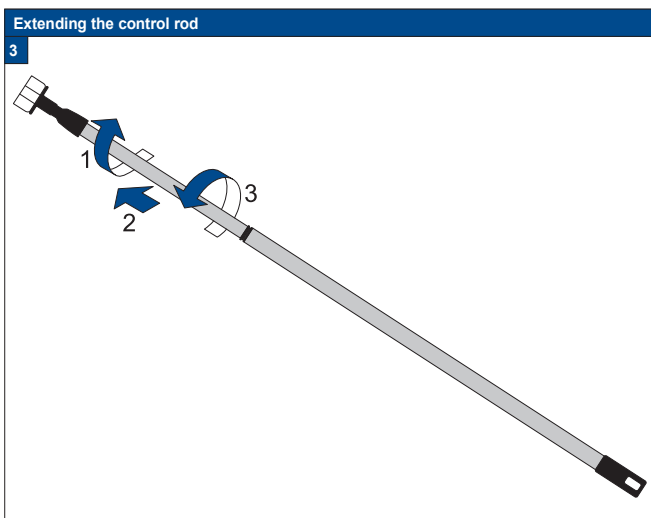
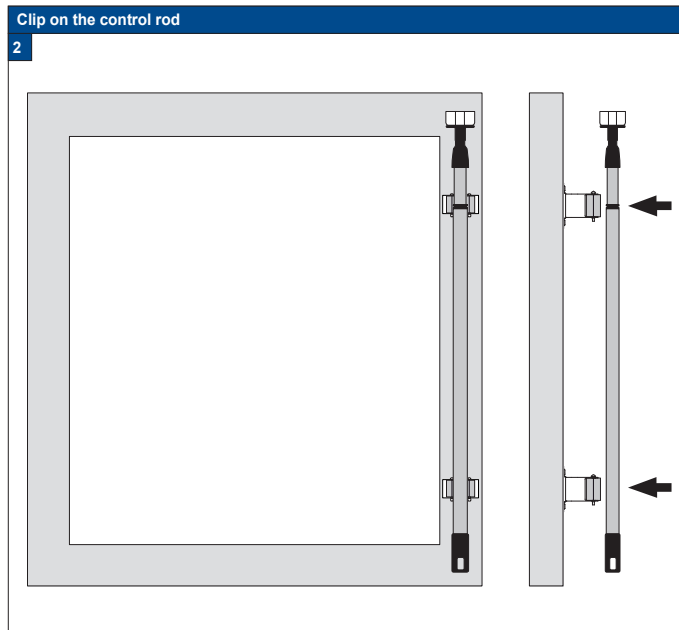
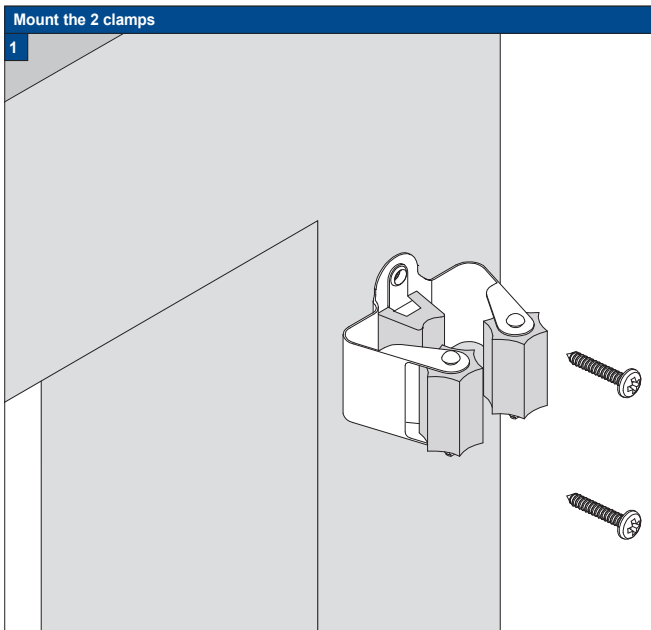


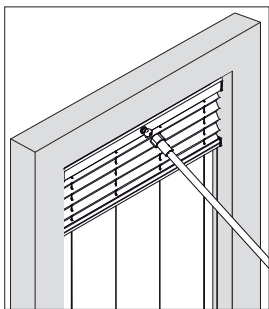
## FaceFix Installation

Do not damage the product when using a sharp knife to open the packaging! Fitting screws: Use a size-2 screwdriver (POZIDRIVE) or use an electric screwdriver at it's lowest torque. Rail removal: Use a flat screwdriver of max. 6 mm wide. Only use the original screws enclosed, to prevent malfunctioning from using too thick screw heads!

Accessoiry

24 6334 7052



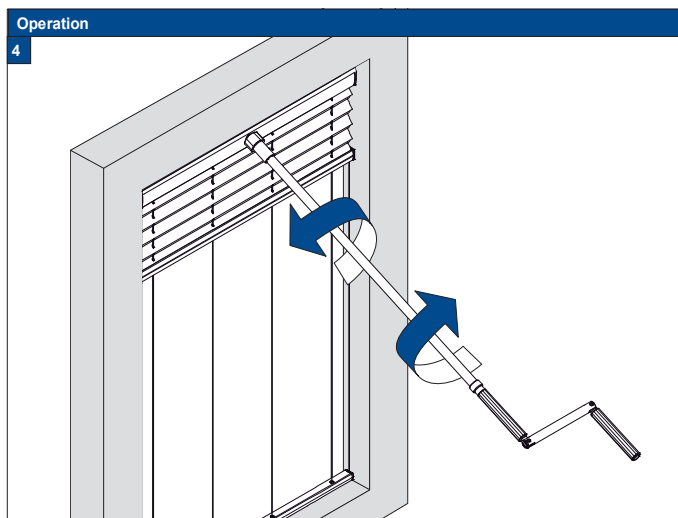
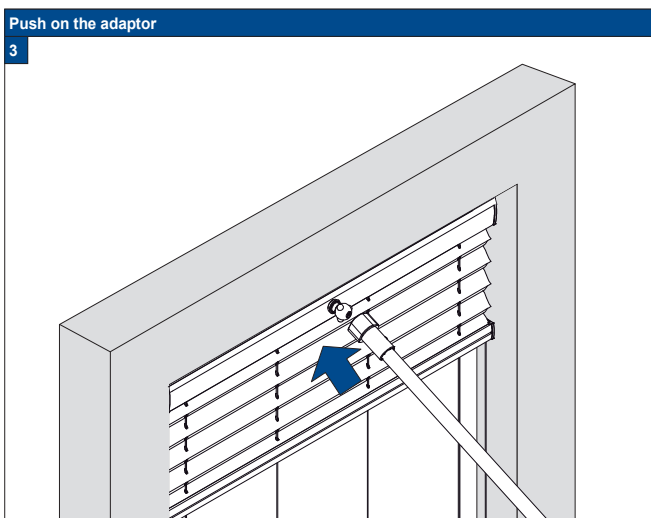
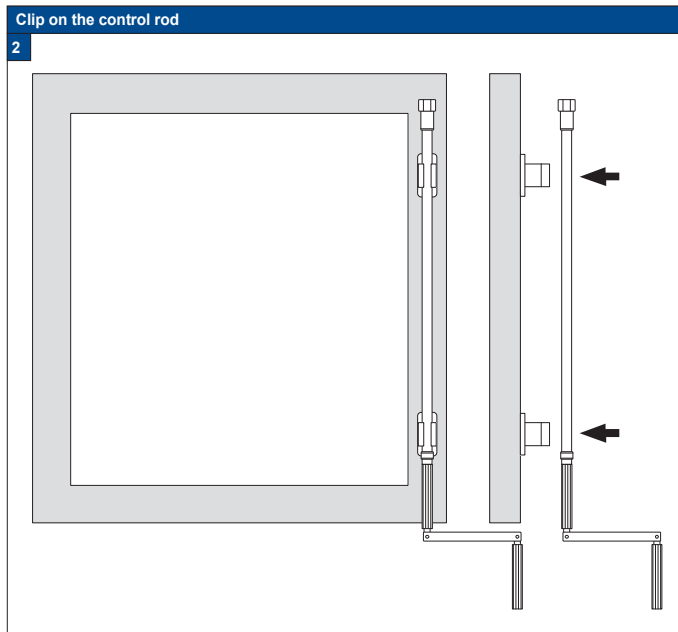
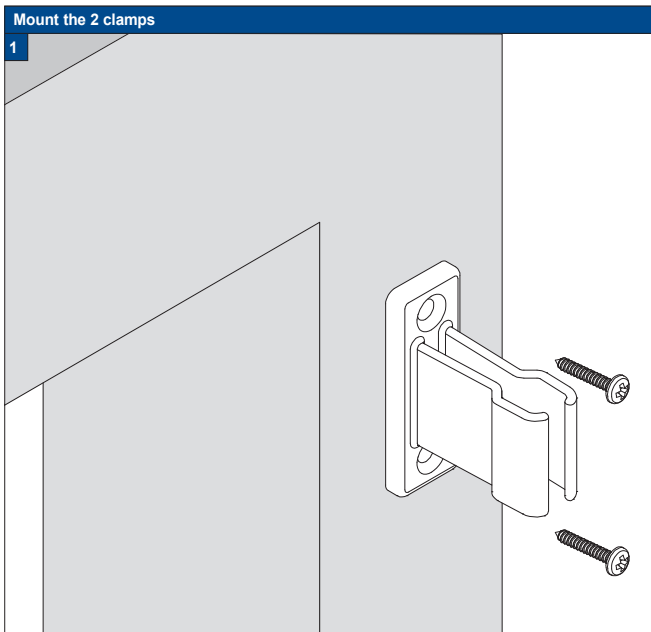


## FaceFix Installation

**!** Do not damage the product when using a sharp knife to open the packaging! Fitting screws: Use a size-2 screwdriver (POZIDRIVE) or use an electric screwdriver at it's lowest torque. Rail removal: Use a flat screwdriver of max. 6 mm wide. Only use the original screws enclosed, to prevent malfunctioning from using too thick screw heads!

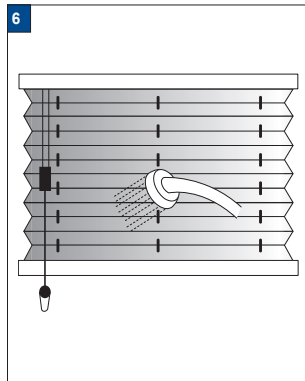
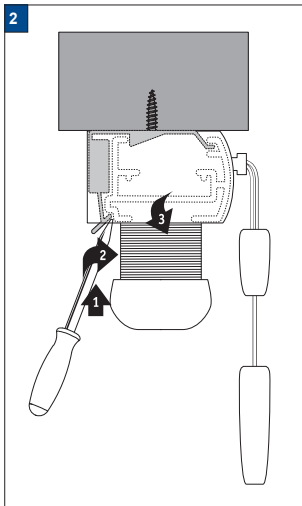
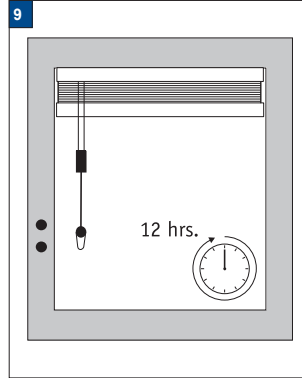
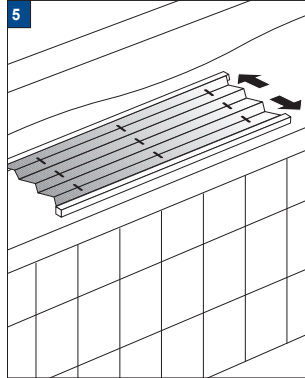
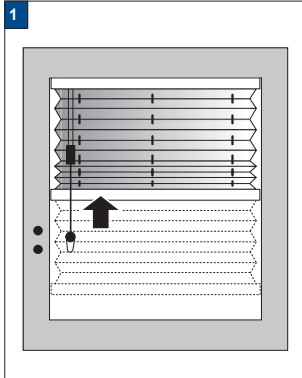
Accessoiry

29 1508



## Maintenance and care Plissé & Duette® Shades

- The profiles and control elements of The products require no maintenance.
- The fabrics have been treated to make them anti-static and dust repellent.
- Regular brushing-off should be sufficient to keep them clean.
- If necessary most products can be washed.
- On motor-operated shades, the electrical parts must not come into contact with water.



- 1 The product fold up (pleat package closed)
- 2 Remove the product from the brackets with help of a flat screwdriver.
- 3 Use a mild-action detergent solution with a water temperature of max. 30°C.
- 4 Let the shade soak for 15 minutes.
- 5 After 15 minutes the product carefully washing.
- 6 Pull the pleats up together into a package (as when the shade is in a raised position), press the water of 30°C out.
- 7 Hang the shade while it is still moist and leave it to dry in raised position.
- 8 Mount the product in the clips.
- 9 Leave the product in raised position (pleat package closed) for 12 hours. Do not iron!

