

Installation TopFix / RecessFix [R1]

Model
25/AU20

- Do not damage the product when using a sharp knife to open the packaging! Fitting screws: Use a size-2 screwdriver (PO-ZIDRIVE) or use an electric screwdriver at it's lowest torque.
- Rail removal: Use a flat screwdriver of max. 6 mm wide. Only

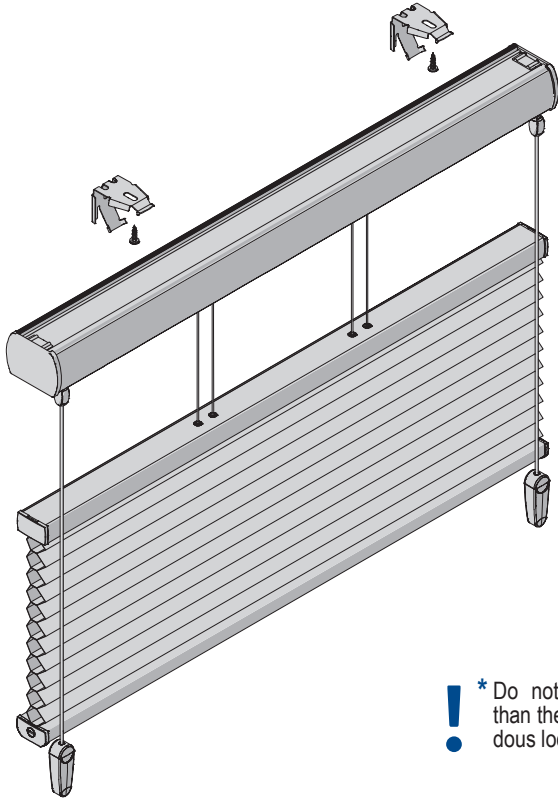
use the original screws enclosed, to prevent malfunctioning from using too thick screw heads!

WARNING

Young children can be strangled by loops in pull cords, chains, tapes and inner cords that operate the product. They can also wrap cords around their necks. To avoid strangulation and entanglement, keep cords out of

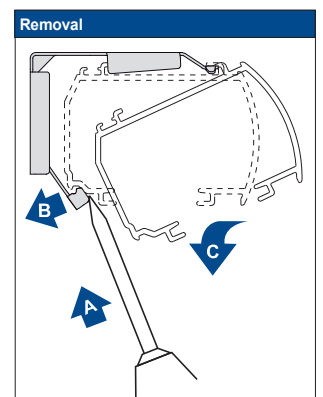
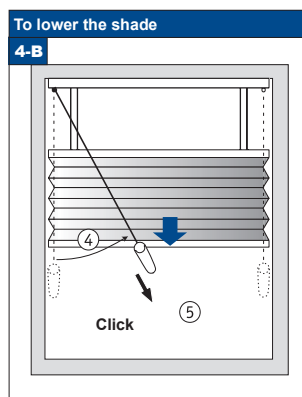
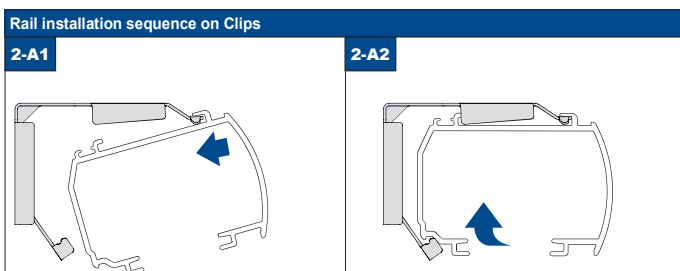
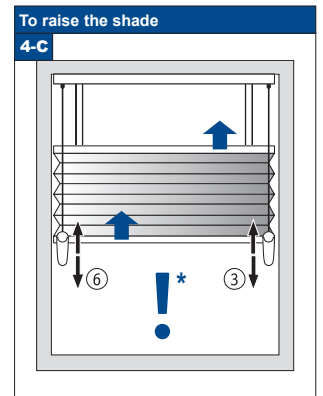
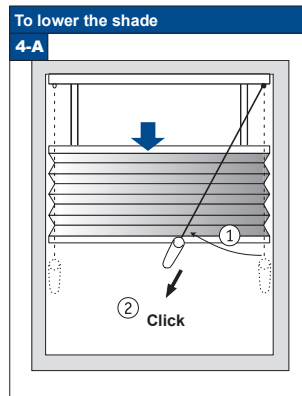
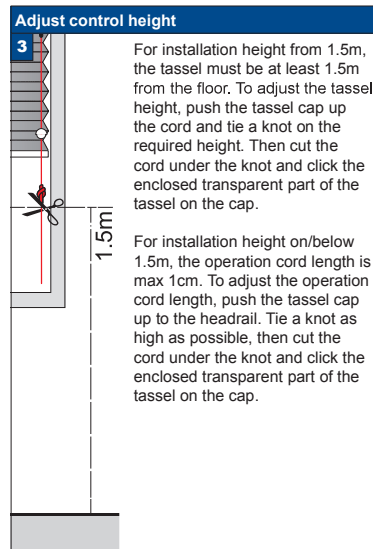
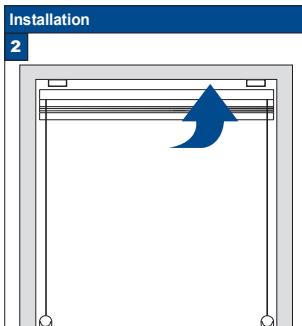
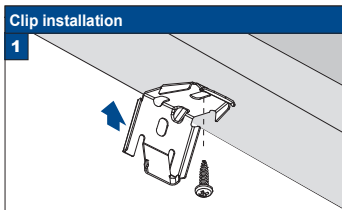
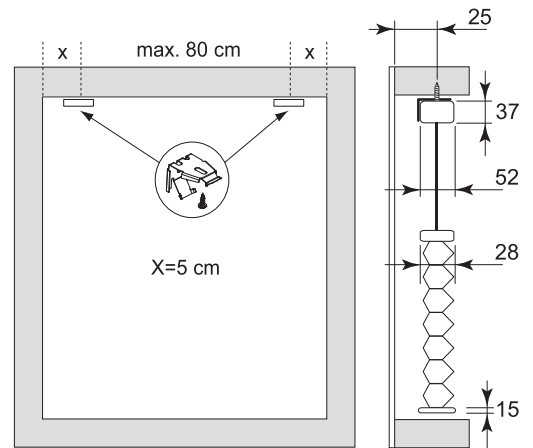
reach of young children. Move beds, cots and furniture away from window covering cords. Do not tie cords together. Make sure cords do not twist and create a loop. Install and use the included safety devices according to the installation instructions on these devices to reduce possibility of such an accident. According to EN 13120

Installation and User's manual PB - GB



Product width	Number of parts	
30 - 90 cm	2	2
90 - 180 cm	3	3
180 - 270 cm	4	4
270 - 300 cm	5	5

- * Do not raise bottomrail higher than the midrail to avoid a hazardous loop.



10-06-2014

FaceFix installation to a window frame / wall [F1]

**Model
25/AU20**

- ! Do not damage the product when using a sharp knife to open the packaging! Fitting screws: Use a size-2 screwdriver (PO-ZIDRIVE) or use an electric screwdriver at it's lowest torque.
- Rail removal: Use a flat screwdriver of max. 6 mm wide. Only

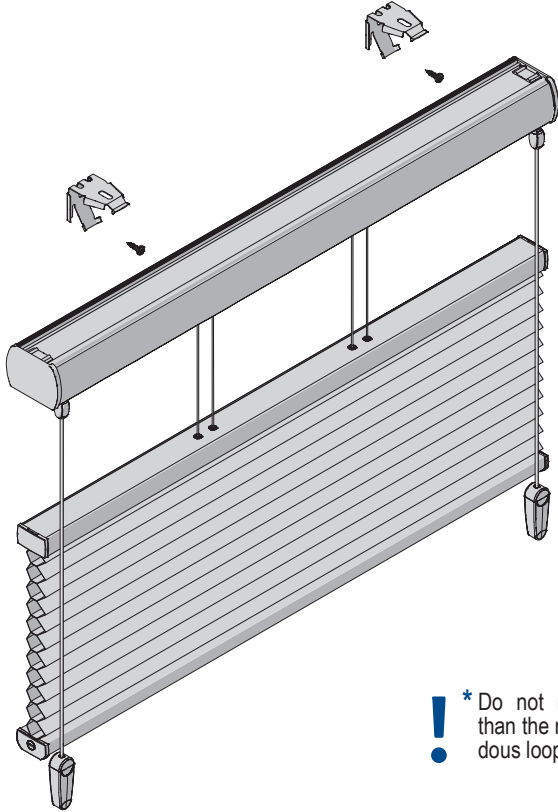
use the original screws enclosed, to prevent malfunctioning from using too thick screw heads!

WARNING

Young children can be strangled by loops in pull cords, chains, tapes and inner cords that operate the product. They can also wrap cords around their necks. To avoid strangulation and entanglement, keep cords out of

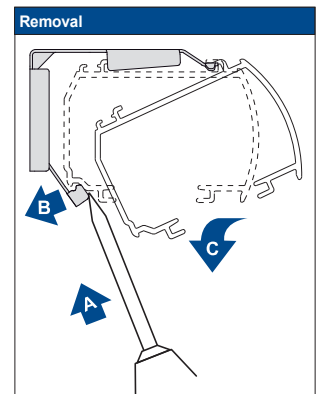
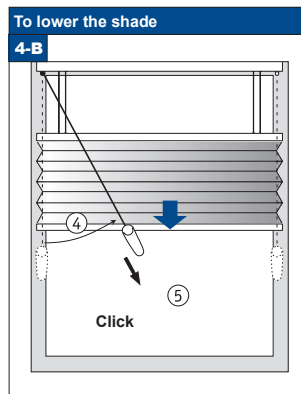
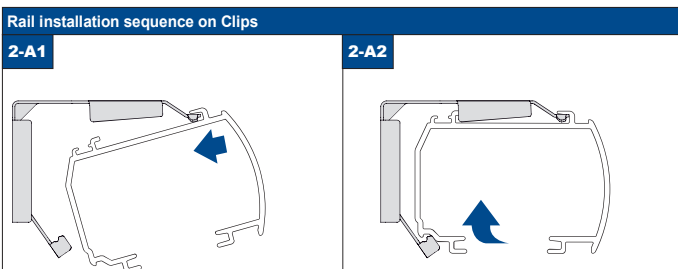
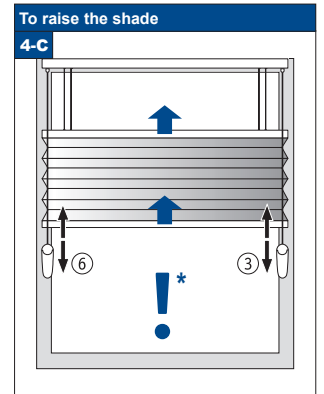
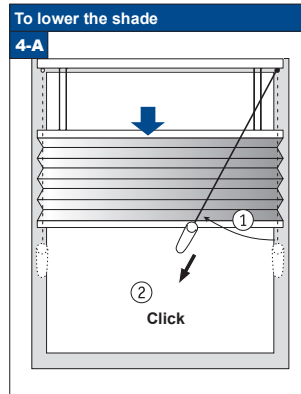
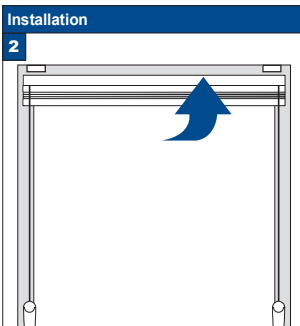
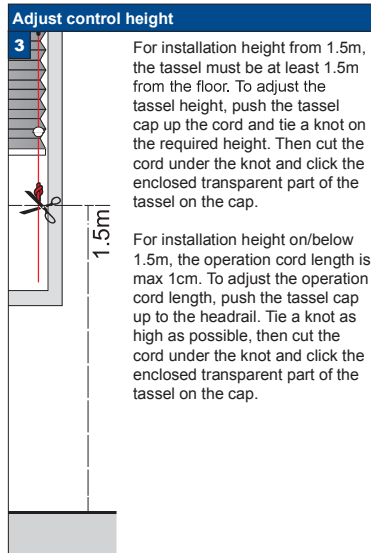
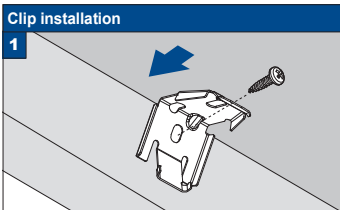
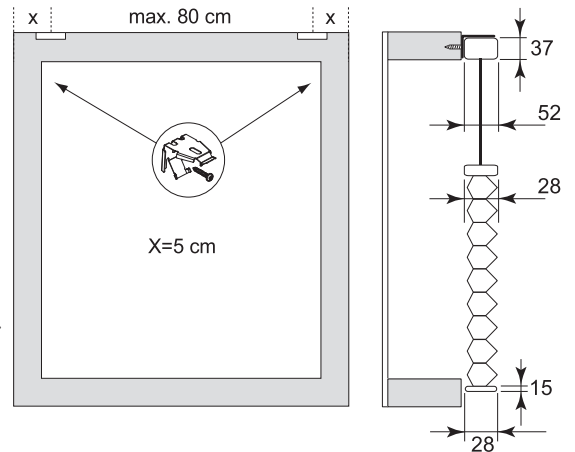
reach of young children. Move beds, cots and furniture away from window covering cords. Do not tie cords together. Make sure cords do not twist and create a loop. Install and use the included safety devices according to the installation instructions on these devices to reduce possibility of such an accident. According to EN 13120

Installation and User's manual PB - GB



Product width	Number of parts	
30 - 90 cm	2	2
90 - 180 cm	3	3
180 - 270 cm	4	4
270 - 300 cm	5	5

! * Do not raise bottomrail higher than the midrail to avoid a hazardous loop.



10-06-2014

Installation TopFix / RecessFix [R1]

Model
32/AU20

- ! Do not damage the product when using a sharp knife to open the packaging! Fitting screws: Use a size-2 screwdriver (PO-ZIDRIVE) or use an electric screwdriver at it's lowest torque.
- Rail removal: Use a flat screwdriver of max. 6 mm wide. Only

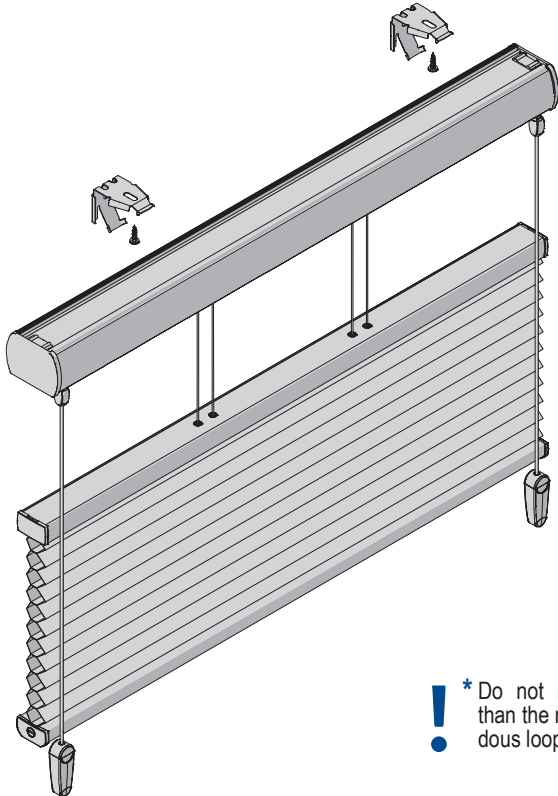
use the original screws enclosed, to prevent malfunctioning from using too thick screw heads!

WARNING

Young children can be strangled by loops in pull cords, chains, tapes and inner cords that operate the product. They can also wrap cords around their necks. To avoid strangulation and entanglement, keep cords out of

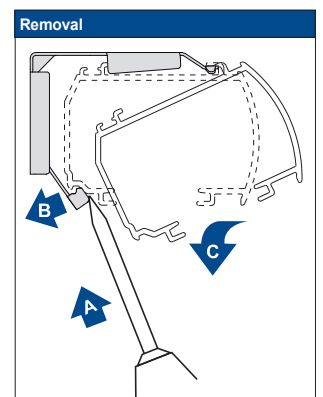
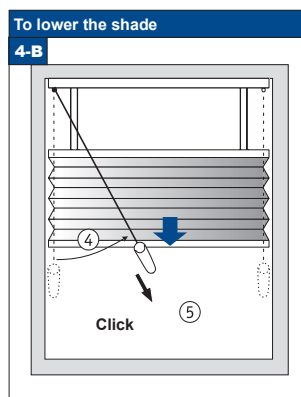
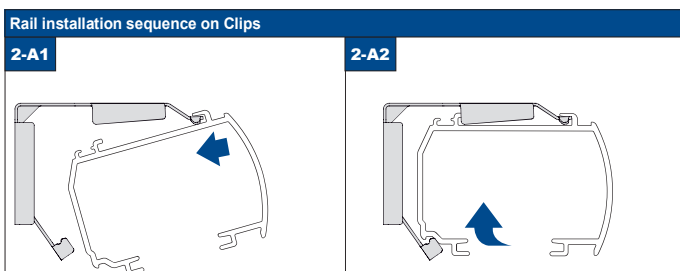
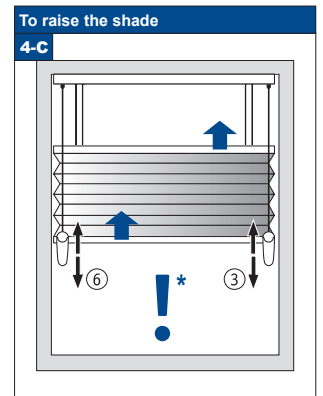
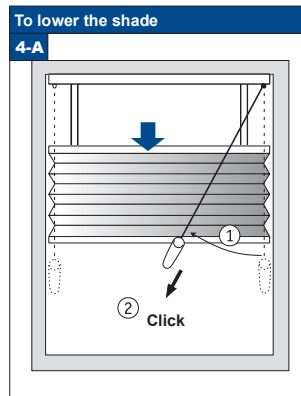
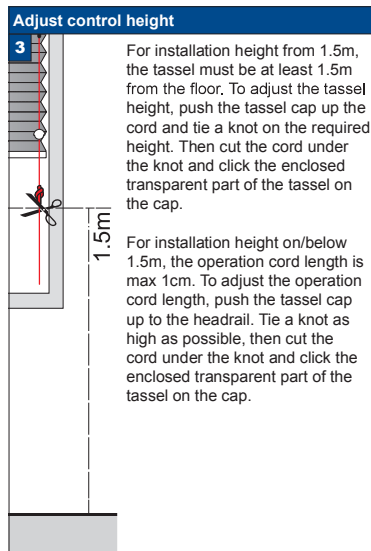
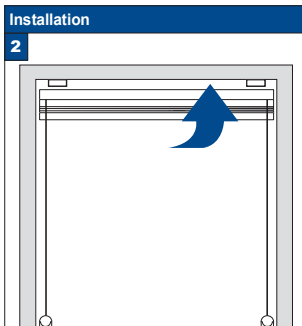
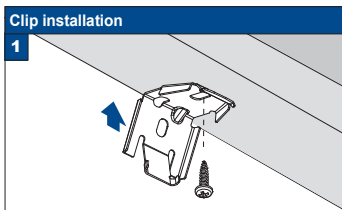
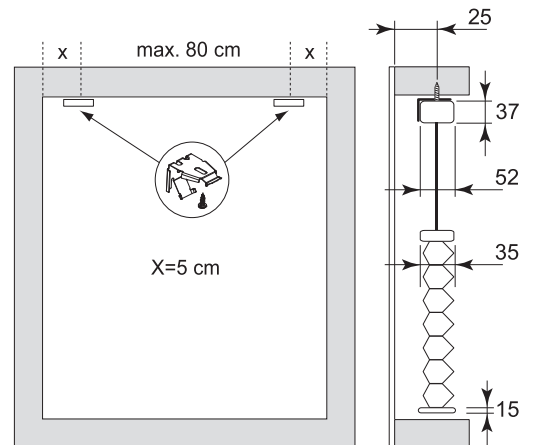
reach of young children. Move beds, cots and furniture away from window covering cords. Do not tie cords together. Make sure cords do not twist and create a loop. Install and use the included safety devices according to the installation instructions on these devices to reduce possibility of such an accident. According to EN 13120

Installation and User's manual PB - GB



Product width	Number of parts	
30 - 90 cm	2	2
90 - 180 cm	3	3
180 - 270 cm	4	4
270 - 300 cm	5	5

! * Do not raise bottomrail higher than the midrail to avoid a hazardous loop.



10-06-2014

FaceFix installation to a window frame / wall [F1]

- ! Do not damage the product when using a sharp knife to open the packaging! Fitting screws: Use a size-2 screwdriver (PO-ZIDRIVE) or use an electric screwdriver at it's lowest torque.
- Rail removal: Use a flat screwdriver of max. 6 mm wide. Only

use the original screws enclosed, to prevent malfunctioning from using too thick screw heads!

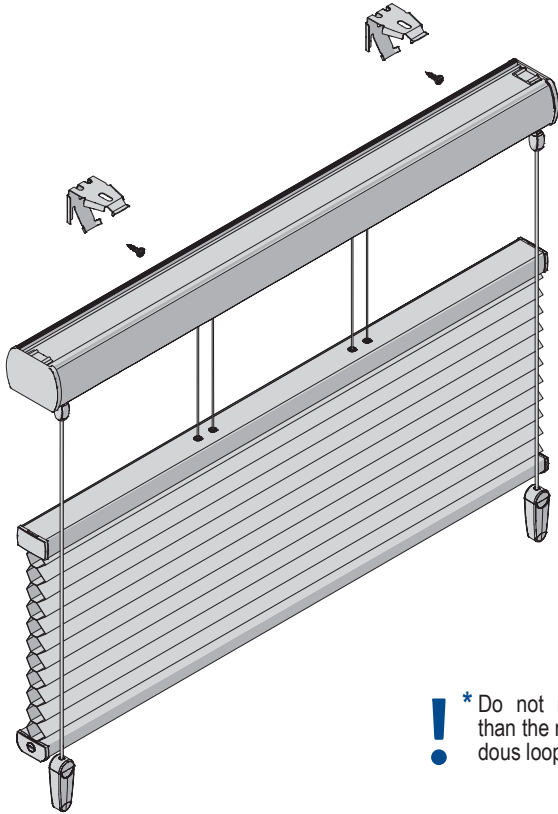
Model
32/AU20

WARNING

Young children can be strangled by loops in pull cords, chains, tapes and inner cords that operate the product. They can also wrap cords around their necks. To avoid strangulation and entanglement, keep cords out of

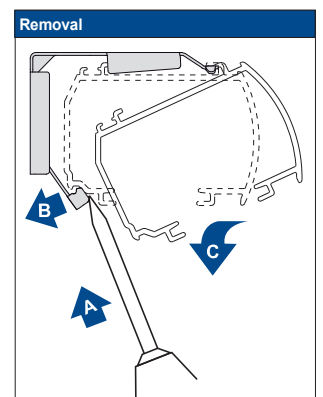
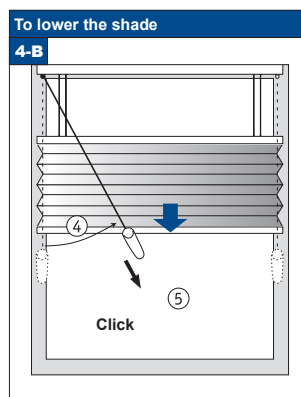
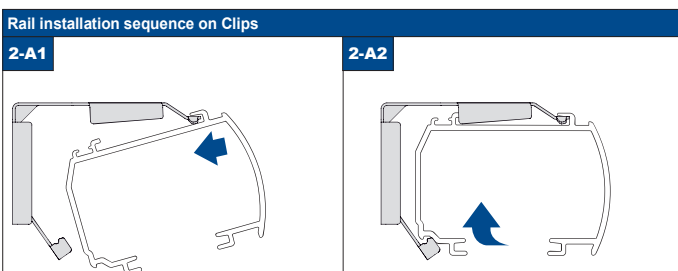
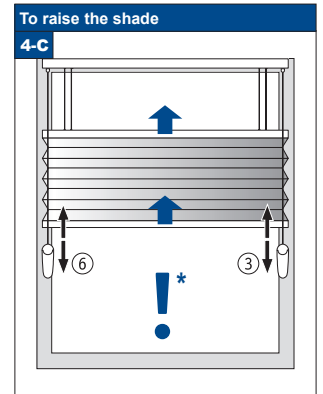
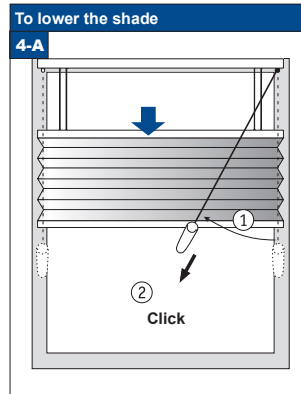
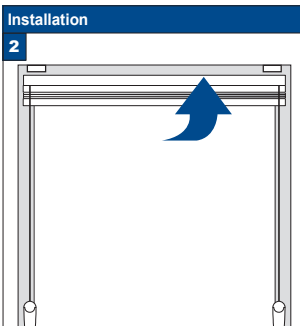
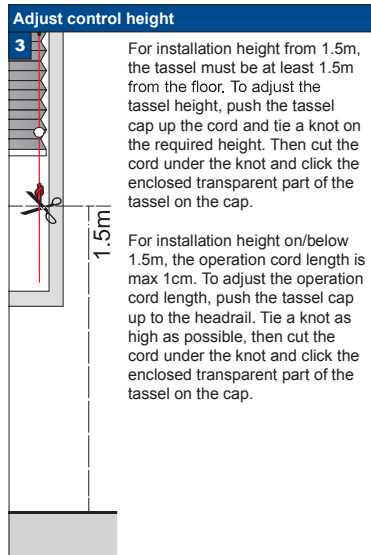
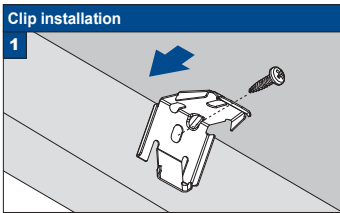
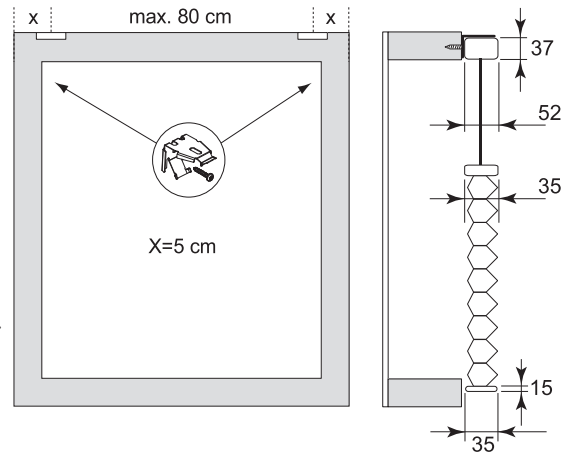
reach of young children. Move beds, cots and furniture away from window covering cords. Do not tie cords together. Make sure cords do not twist and create a loop. Install and use the included safety devices according to the installation instructions on these devices to reduce possibility of such an accident. According to EN 13120

Installation and User's manual PB - GB



Product width	Number of parts	
	Clip	Screw
30 - 90 cm	2	2
90 - 180 cm	3	3
180 - 270 cm	4	4
270 - 300 cm	5	5

- ! * Do not raise bottomrail higher than the midrail to avoid a hazardous loop.



10-06-2014

Installation TopFix / RecessFix [R1]

Model
64/AU20

- ! Do not damage the product when using a sharp knife to open the packaging! Fitting screws: Use a size-2 screwdriver (PO-ZIDRIVE) or use an electric screwdriver at it's lowest torque.
- Rail removal: Use a flat screwdriver of max. 6 mm wide. Only

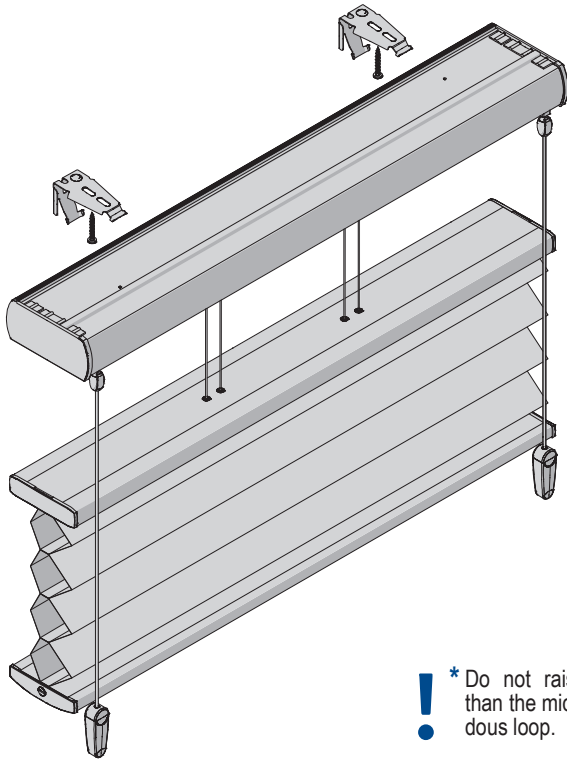
use the original screws enclosed, to prevent malfunctioning from using too thick screw heads!

WARNING

Young children can be strangled by loops in pull cords, chains, tapes and inner cords that operate the product. They can also wrap cords around their necks. To avoid strangulation and entanglement, keep cords out of

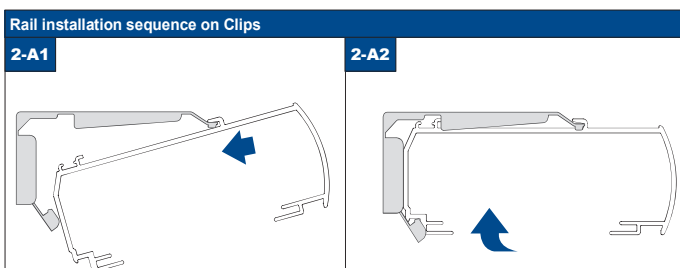
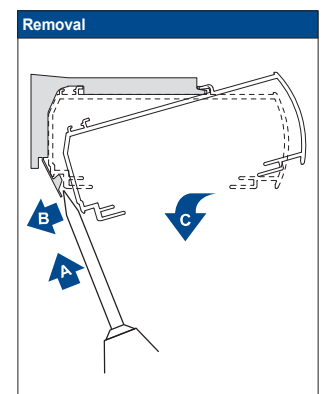
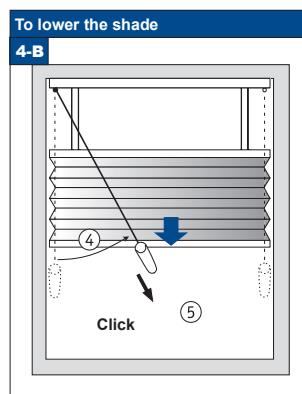
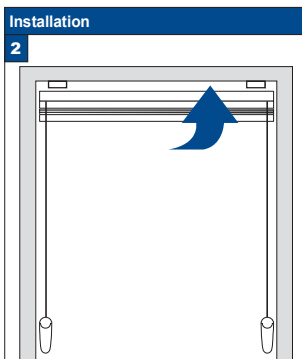
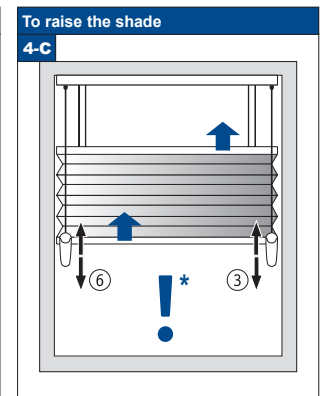
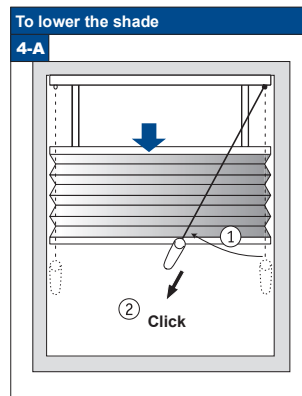
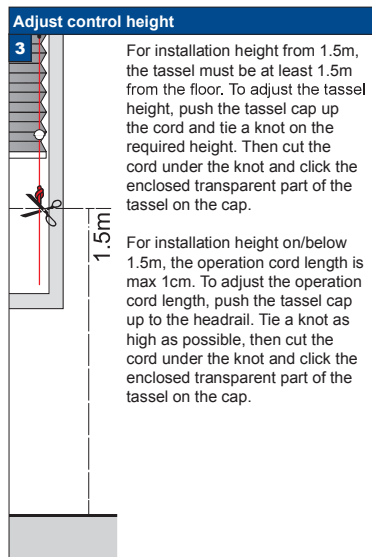
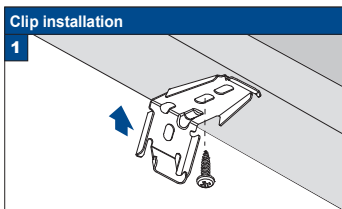
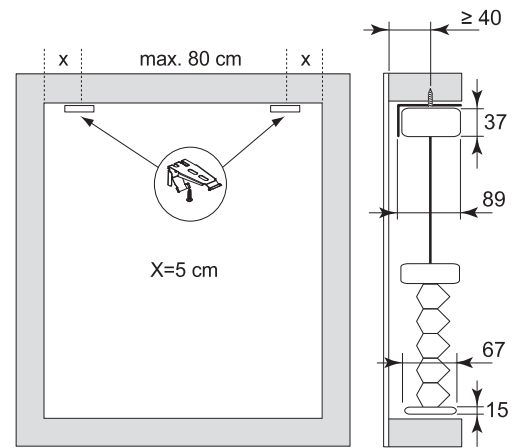
reach of young children. Move beds, cots and furniture away from window covering cords. Do not tie cords together. Make sure cords do not twist and create a loop. Install and use the included safety devices according to the installation instructions on these devices to reduce possibility of such an accident. According to EN 13120

Installation and User's manual PB - GB



Product width	Number of parts	
30 - 90 cm	2	2
90 - 180 cm	3	3
180 - 270 cm	4	4
270 - 300 cm	5	5

- ! * Do not raise bottomrail higher than the midrail to avoid a hazardous loop.



10-06-2014

FaceFix installation to a window frame / wall [F1]

Model
64/AU20

- ! Do not damage the product when using a sharp knife to open the packaging! Fitting screws: Use a size-2 screwdriver (PO-ZIDRIVE) or use an electric screwdriver at it's lowest torque.
- Rail removal: Use a flat screwdriver of max. 6 mm wide. Only

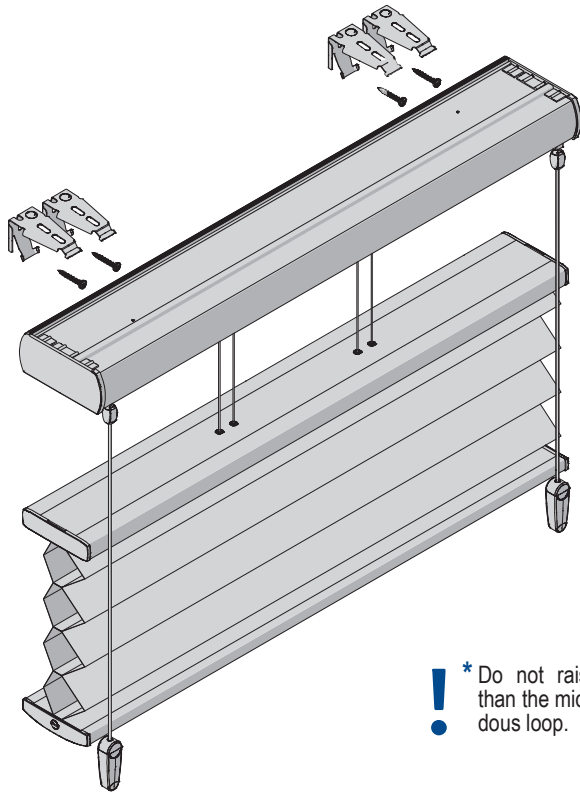
use the original screws enclosed, to prevent malfunctioning from using too thick screw heads!

WARNING

Young children can be strangled by loops in pull cords, chains, tapes and inner cords that operate the product. They can also wrap cords around their necks. To avoid strangulation and entanglement, keep cords out of

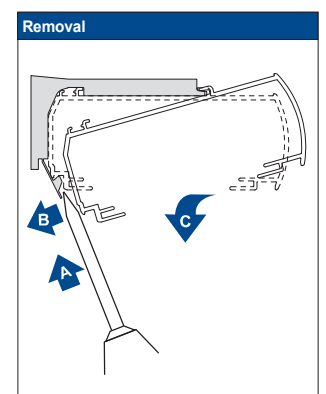
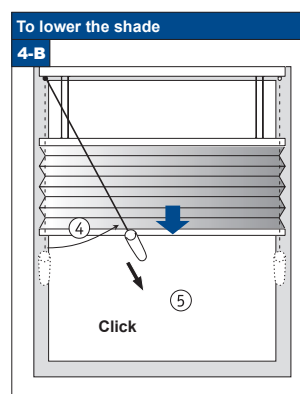
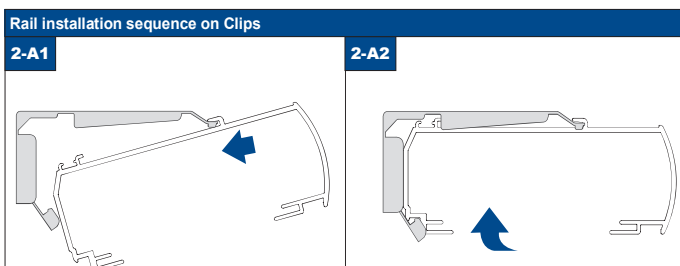
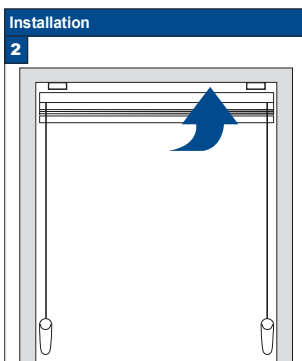
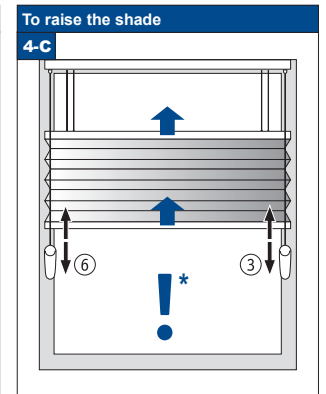
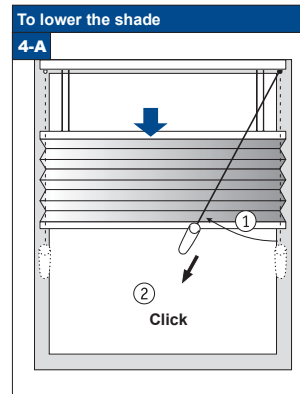
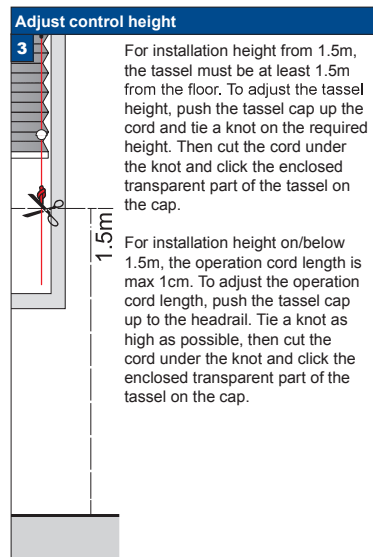
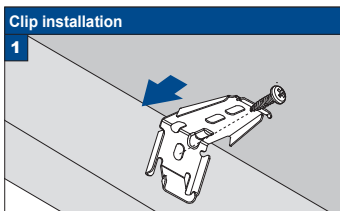
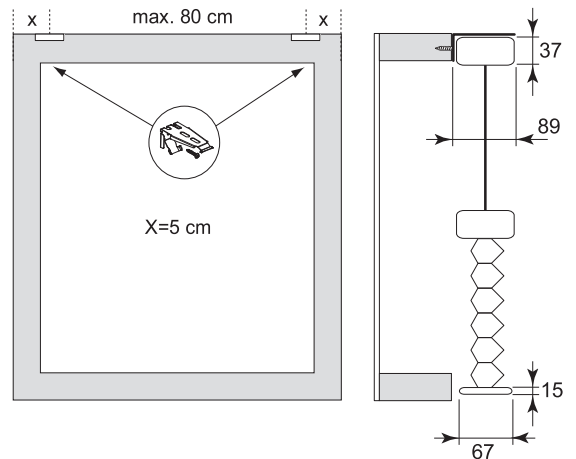
reach of young children. Move beds, cots and furniture away from window covering cords. Do not tie cords together. Make sure cords do not twist and create a loop. Install and use the included safety devices according to the installation instructions on these devices to reduce possibility of such an accident. According to EN 13120

Installation and User's manual PB - GB

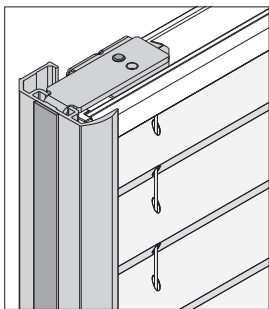


Product width	Number of parts	
30 - 90 cm	4	4
90 - 180 cm	5	5
180 - 270 cm	6	6
270 - 300 cm	7	7

- ! * Do not raise bottomrail higher than the midrail to avoid a hazardous loop.



09-04-2015



Installation RecessFix



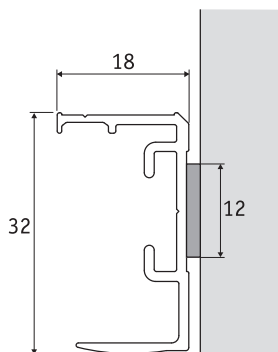
Do not damage the product when using a sharp knife to open the packaging! Fitting screws: Use a size-2 screwdriver (POZIDRIVE) or use an electric screwdriver at it's lowest torque. Rail removal: Use a flat screwdriver of max. 6 mm wide. Only use the original screws enclosed, to prevent malfunctioning from using too thick screw heads!

Installation Option

A1

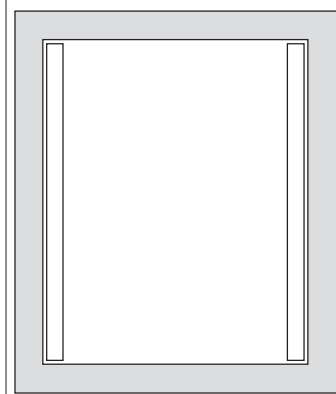
RecessFix installation

1



Check the size of the supplied rails

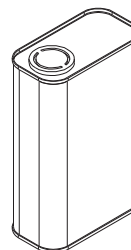
2



Note

2A

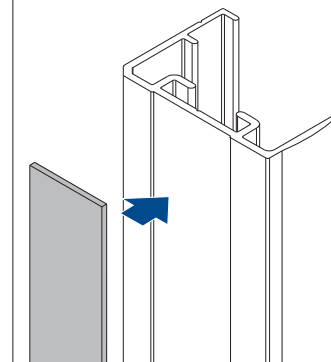
Thoroughly clean the window frame surface (only suitable for alu/PVC frames) with cleaner Nr 29.1741.0000 before applying the profiles with self-adhesive tape.



Apply the tape

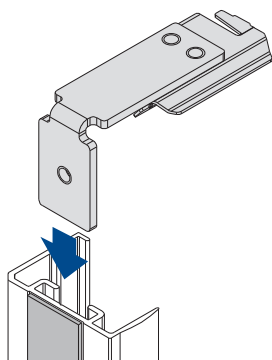
3

Apply the tape



Installing the top SideBracket

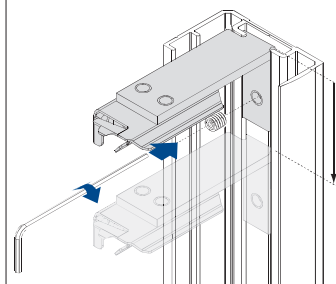
4



Securing the SideBracket

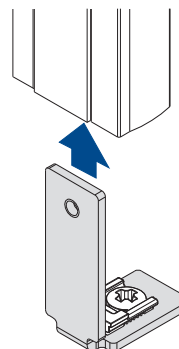
5A

SideBracket with socket-head Grubscrews M4. The height can be adjusted, e.g. for required ventilation purposes



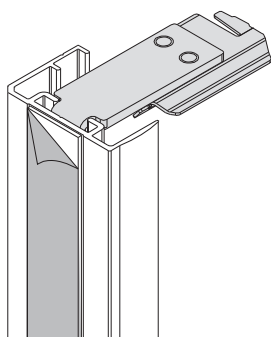
Installing the bottom SideBracket

5B



Remove the backing from the adhesive tape

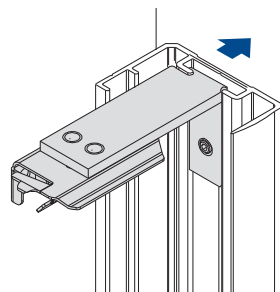
6



Securing the Sidecover U-profile

7

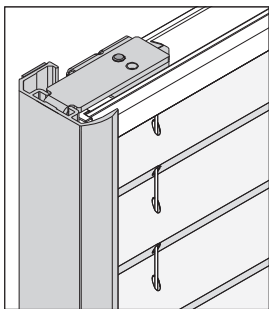
Firmly push the Sidecover U-profile (channel) onto the pre-cleaned mounting surface. Let the tape settle and cure for at least 60 minutes!



Click blind into the clips

8

See the specific model installation manual for further instructions



FaceFix Installation

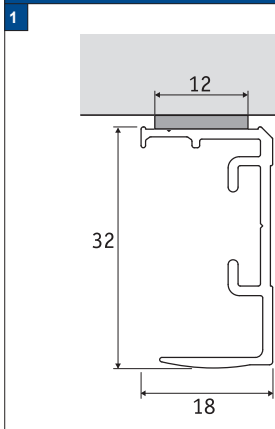


Do not damage the product when using a sharp knife to open the packaging! Fitting screws: Use a size-2 screwdriver (POZIDRIVE) or use an electric screwdriver at it's lowest torque. Rail removal: Use a flat screwdriver of max. 6 mm wide. Only use the original screws enclosed, to prevent malfunctioning from using too thick screw heads!

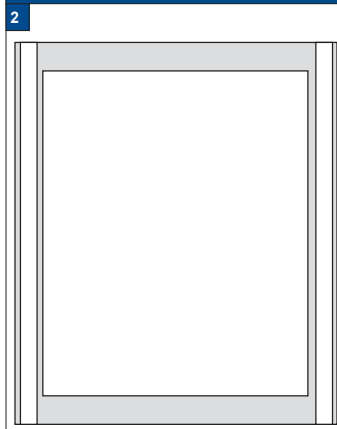
Installation Option

A1

RecessFix installation

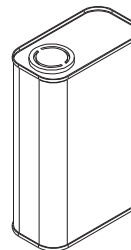


Check the size of the supplied rails

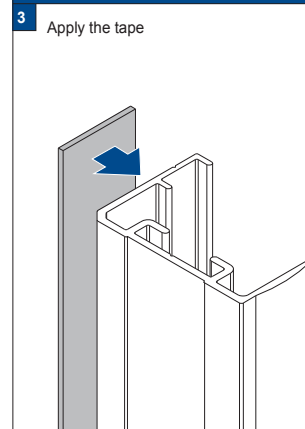


Note

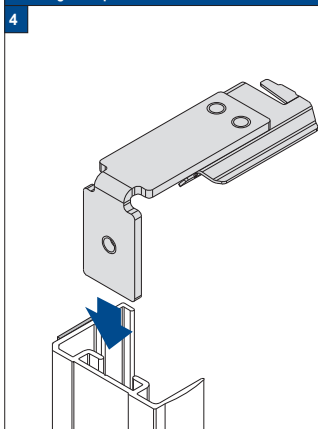
2A
Thoroughly clean the window frame surface (only suitable for alu/PVC frames) with cleaner Nr 29.1741.0000 before applying the profiles with self-adhesive tape.



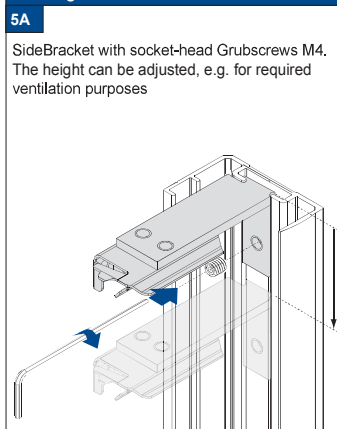
Apply the tape



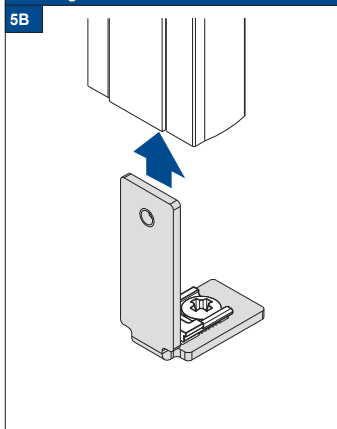
Installing the top SideBracket



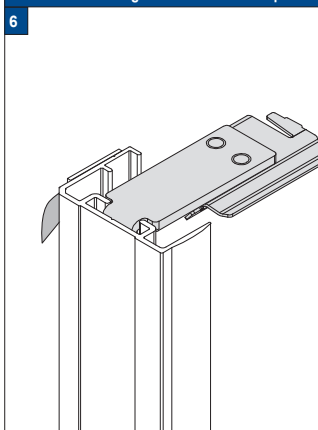
Securing the SideBracket



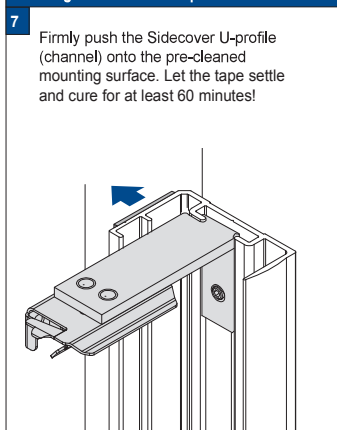
Installing the bottom SideBracket



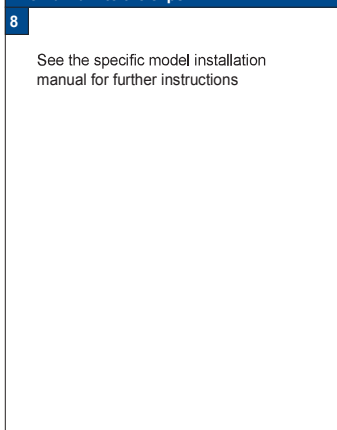
Remove the backing from the adhesive tape

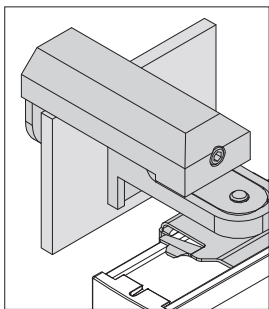


Securing the Sidecover U-profile



Click blind into the clips





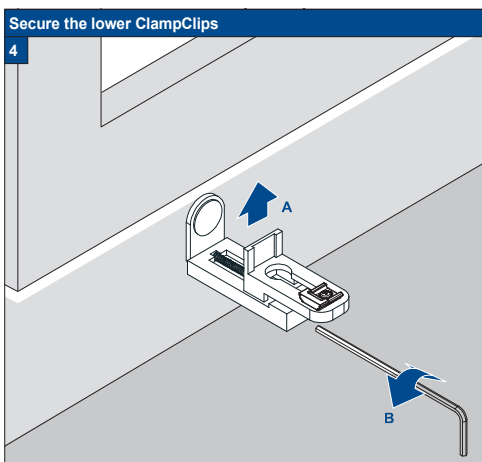
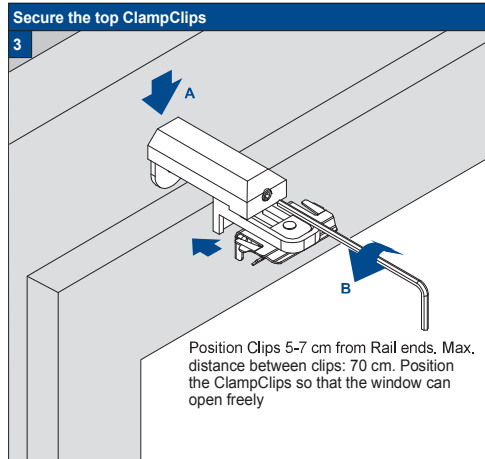
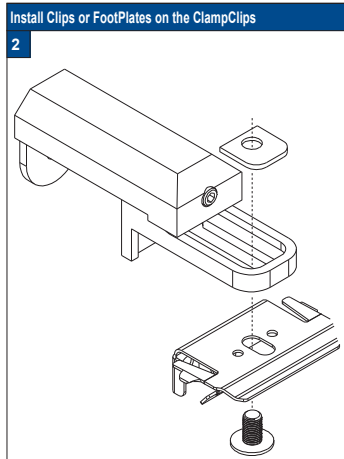
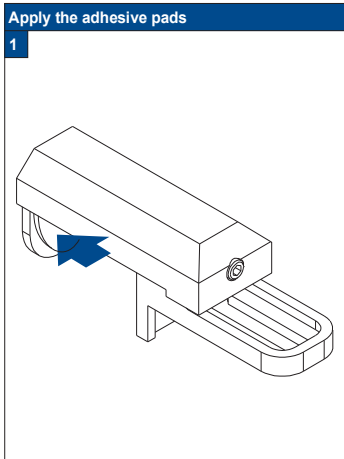
OnFace installation

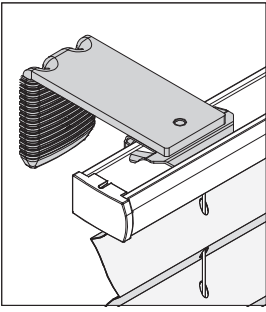


Do not damage the product when using a sharp knife to open the packaging! Fitting screws: Use a size-2 screwdriver (POZIDRIVE) or use an electric screwdriver at it's lowest torque. Rail removal: Use a flat screwdriver of max. 6 mm wide. Only use the original screws enclosed, to prevent malfunctioning from using too thick screw heads!

Installation Option

C1





FaceFix Installation

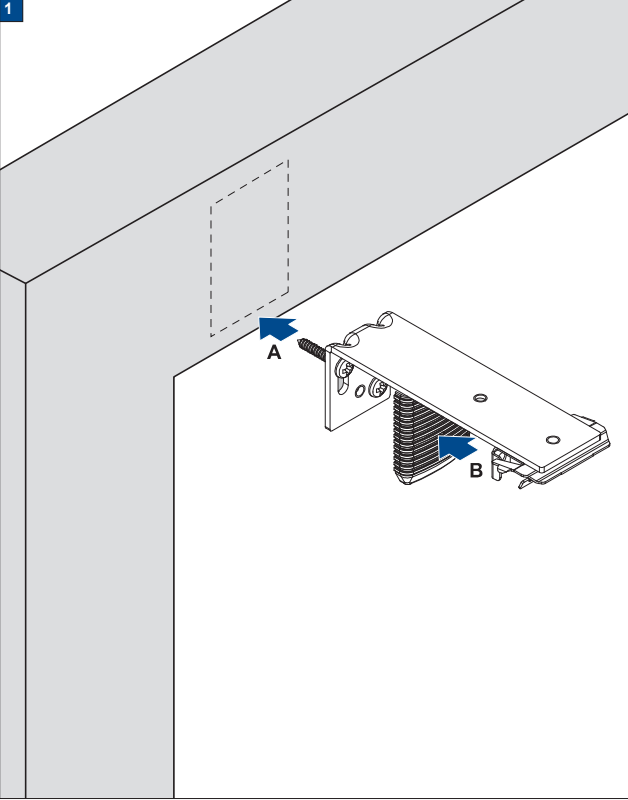


Do not damage the product when using a sharp knife to open the packaging! Fitting screws: Use a size-2 screwdriver (POZIDRIVE) or use an electric screwdriver at it's lowest torque. Rail removal: Use a flat screwdriver of max. 6 mm wide. Only use the original screws enclosed, to prevent malfunctioning from using too thick screw heads!

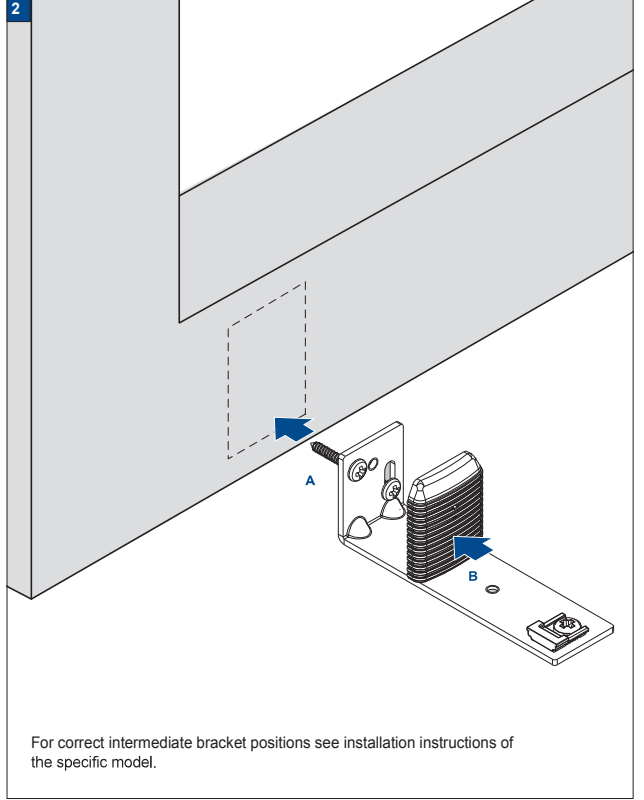
Installation Option

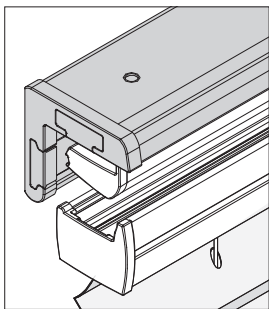
F2-F3

FaceFix bracket installation (top)



FaceFix bracket installation (bottom)





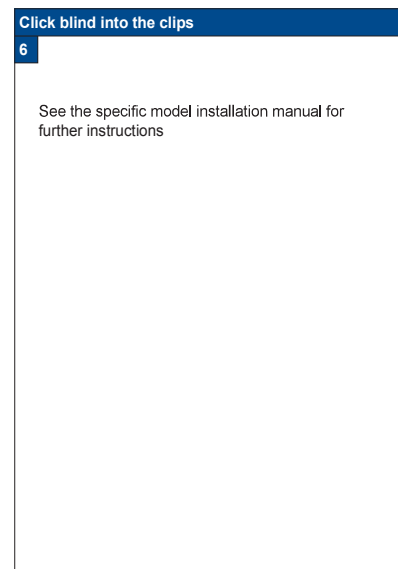
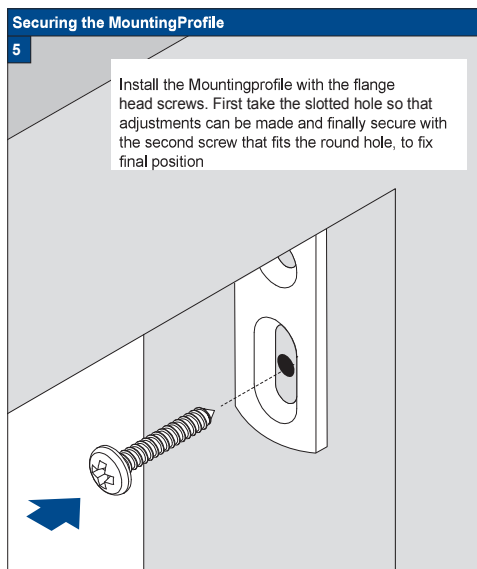
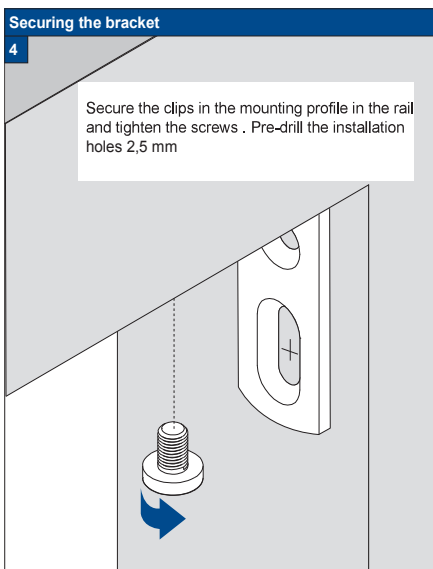
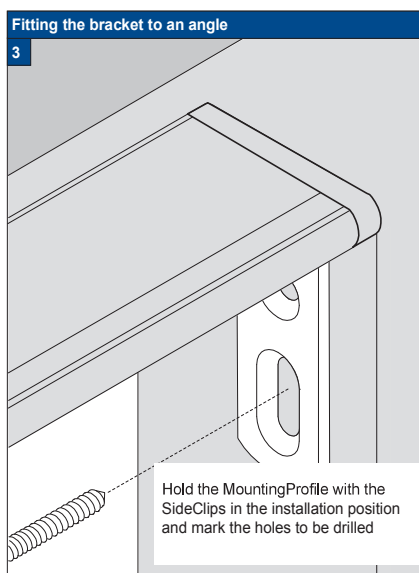
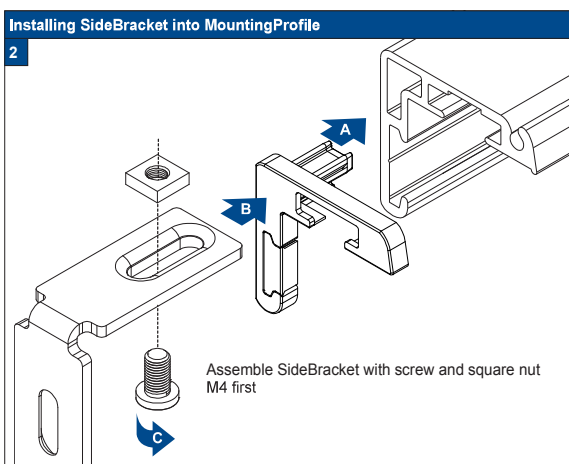
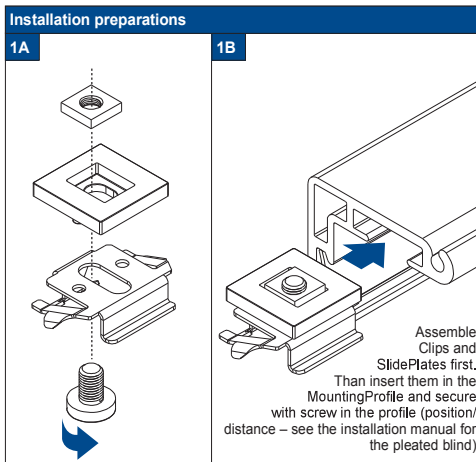
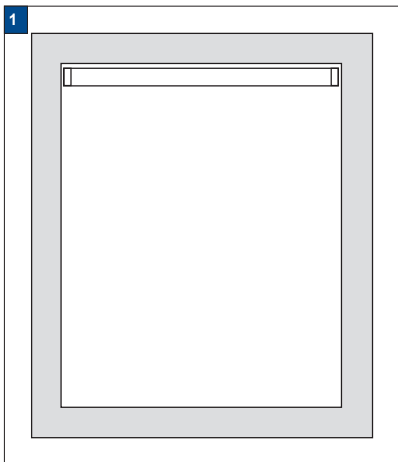
Installation RecessFix

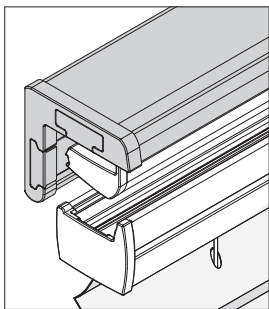


Do not damage the product when using a sharp knife to open the packaging! Fitting screws: Use a size-2 screwdriver (POZIDRIVE) or use an electric screwdriver at it's lowest torque. Rail removal: Use a flat screwdriver of max. 6 mm wide. Only use the original screws enclosed, to prevent malfunctioning from using too thick screw heads!

Installation Option

M1





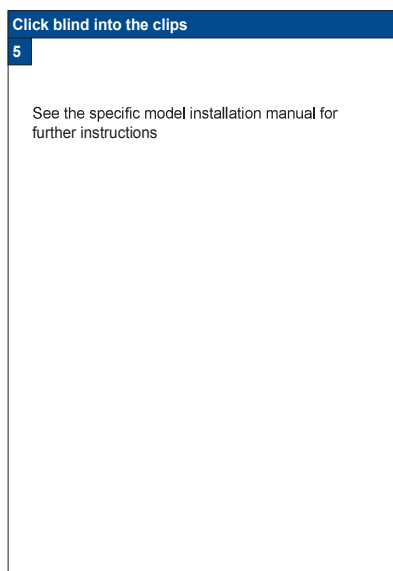
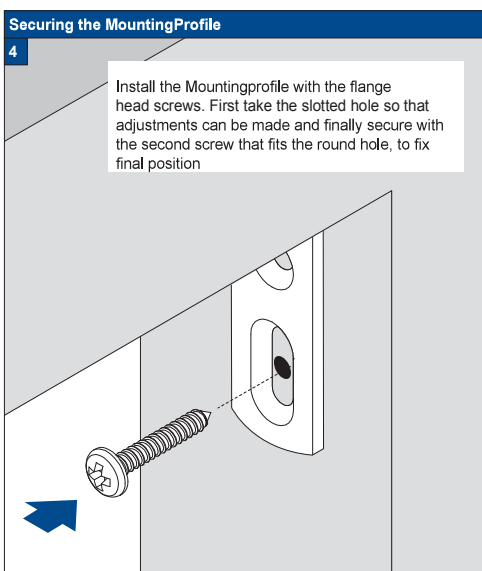
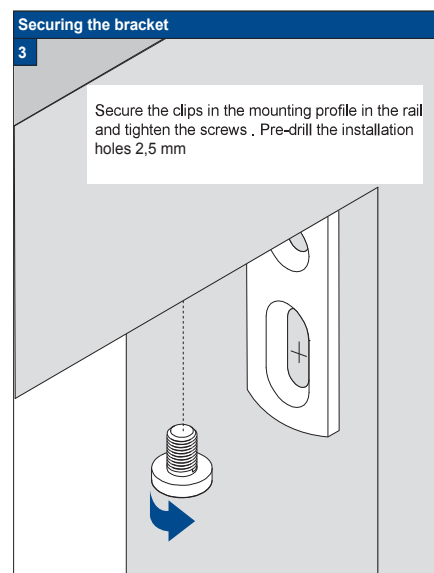
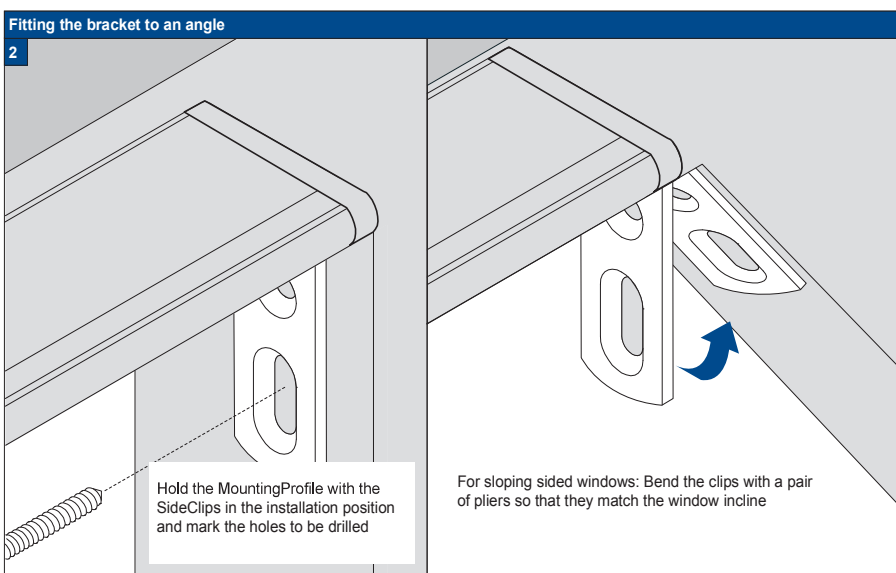
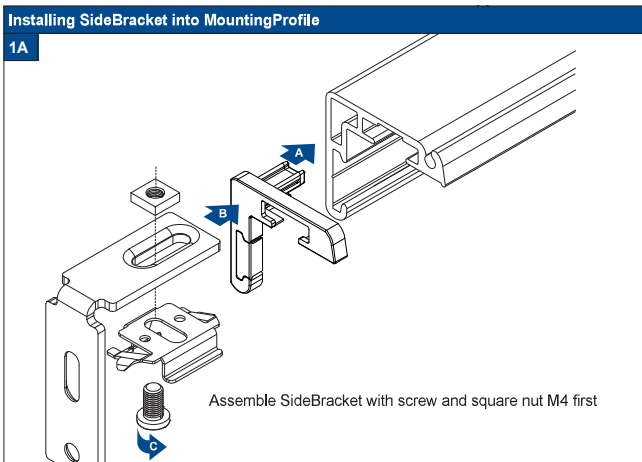
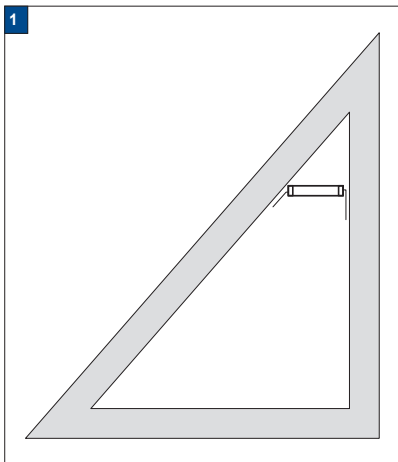
Installation RecessFix

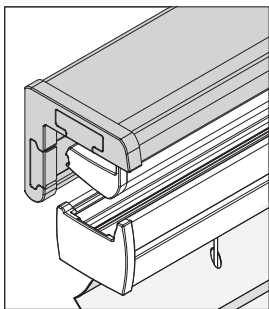


Do not damage the product when using a sharp knife to open the packaging! Fitting screws: Use a size-2 screwdriver (POZIDRIVE) or use an electric screwdriver at it's lowest torque. Rail removal: Use a flat screwdriver of max. 6 mm wide. Only use the original screws enclosed, to prevent malfunctioning from using too thick screw heads!

Installation Option

M1A





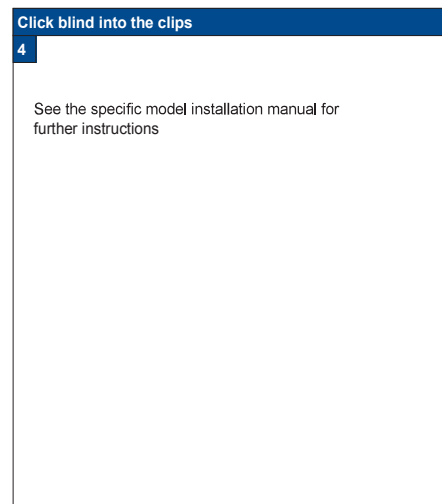
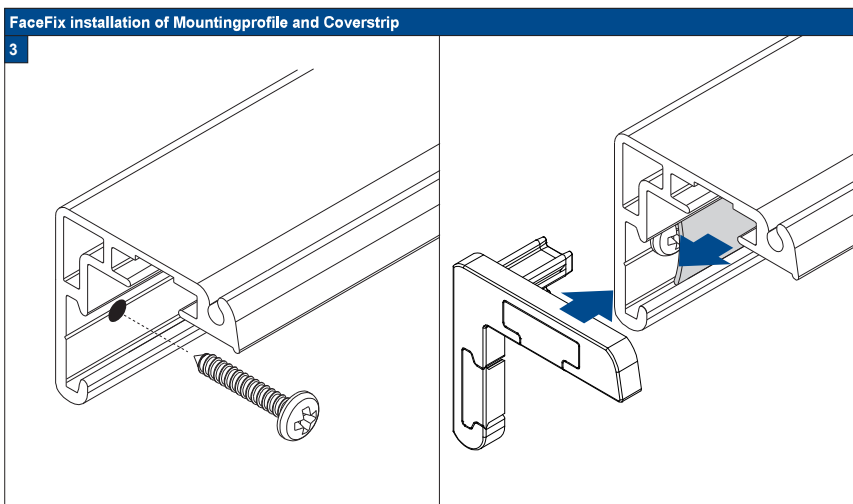
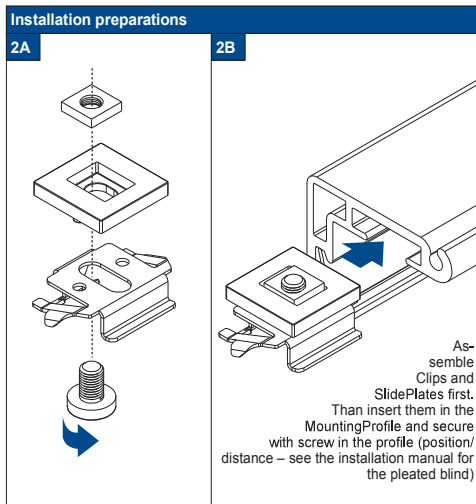
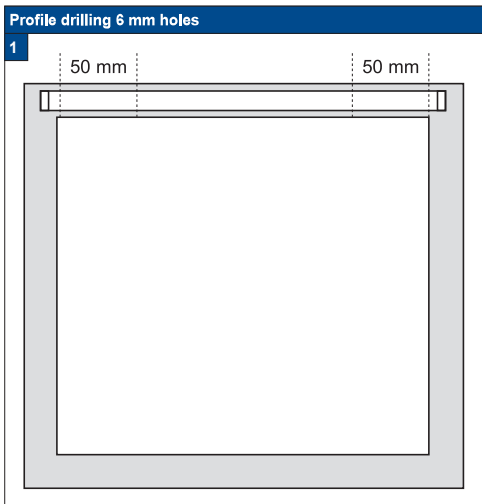
FaceFix Installation

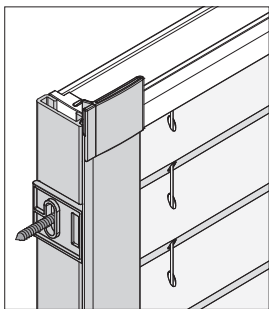


Do not damage the product when using a sharp knife to open the packaging! Fitting screws: Use a size-2 screwdriver (POZIDRIVE) or use an electric screwdriver at it's lowest torque. Rail removal: Use a flat screwdriver of max. 6 mm wide. Only use the original screws enclosed, to prevent malfunctioning from using too thick screw heads!

Installation Option

M1





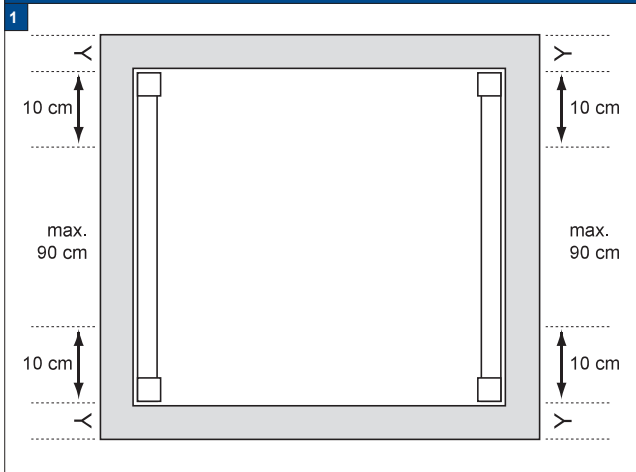
Installation RecessFix

! Do not damage the product when using a sharp knife to open the packaging! Fitting screws: Use a size-2 screwdriver (POZIDRIVE) or use an electric screwdriver at it's lowest torque. Rail removal: Use a flat screwdriver of max. 6 mm wide. Only use the original screws enclosed, to prevent malfunctioning from using too thick screw heads!

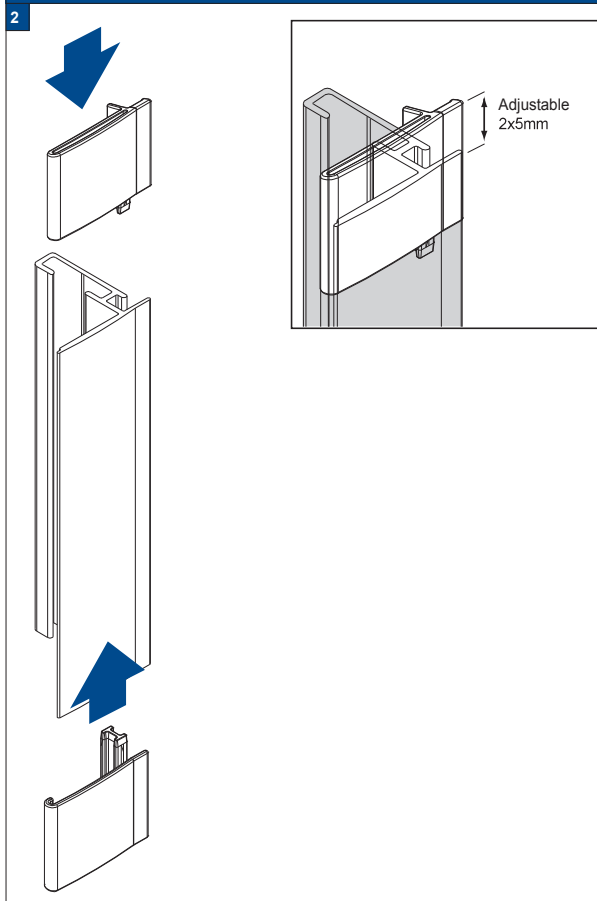
Installation Option

S1

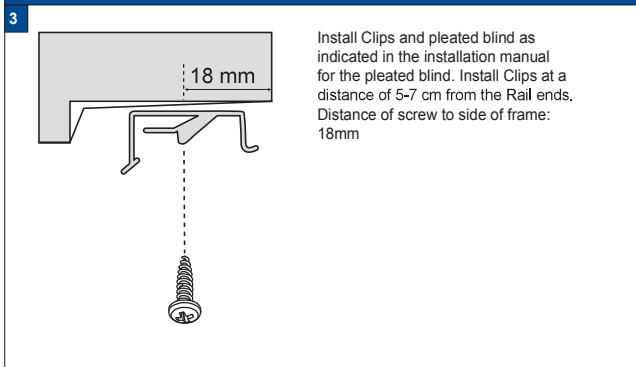
Pre-drill hardwood 2,5 mm



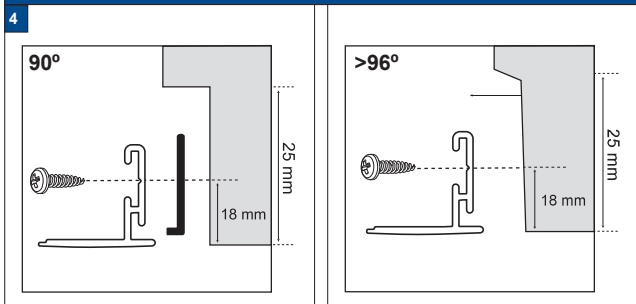
Fitting the covers



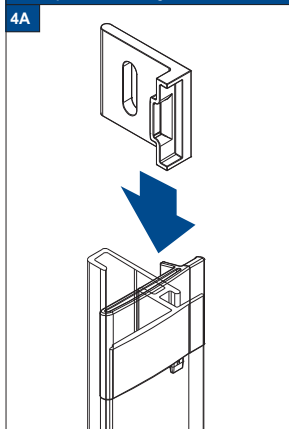
Install the blind



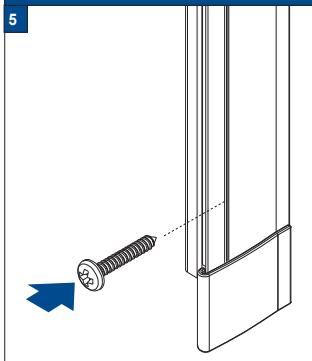
Installation in window frame for 90° and 96°

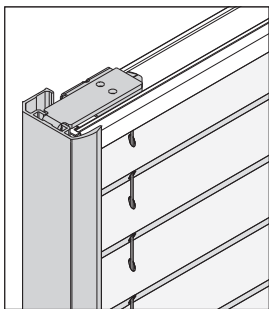


Install spacers for 90° angle



Secure the SideProfile





Installation RecessFix

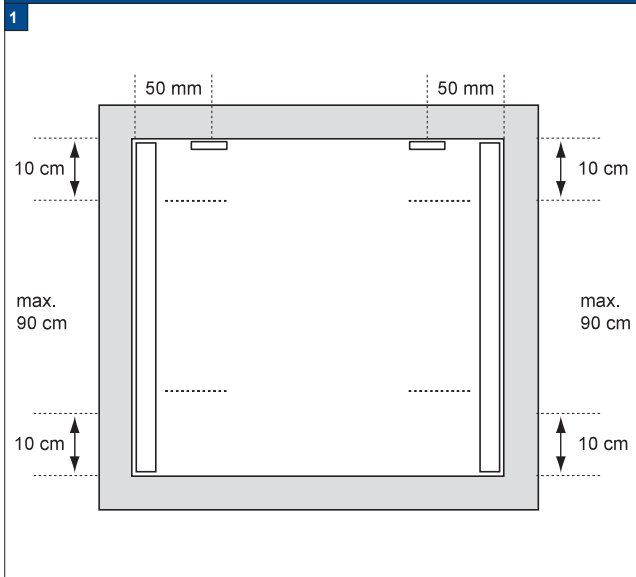


Do not damage the product when using a sharp knife to open the packaging! Fitting screws: Use a size-2 screwdriver (POZIDRIVE) or use an electric screwdriver at it's lowest torque. Rail removal: Use a flat screwdriver of max. 6 mm wide. Only use the original screws enclosed, to prevent malfunctioning from using too thick screw heads!

Installation Option

S3

Profile drilling 6 mm holes



RecessFix installation (90°)

2

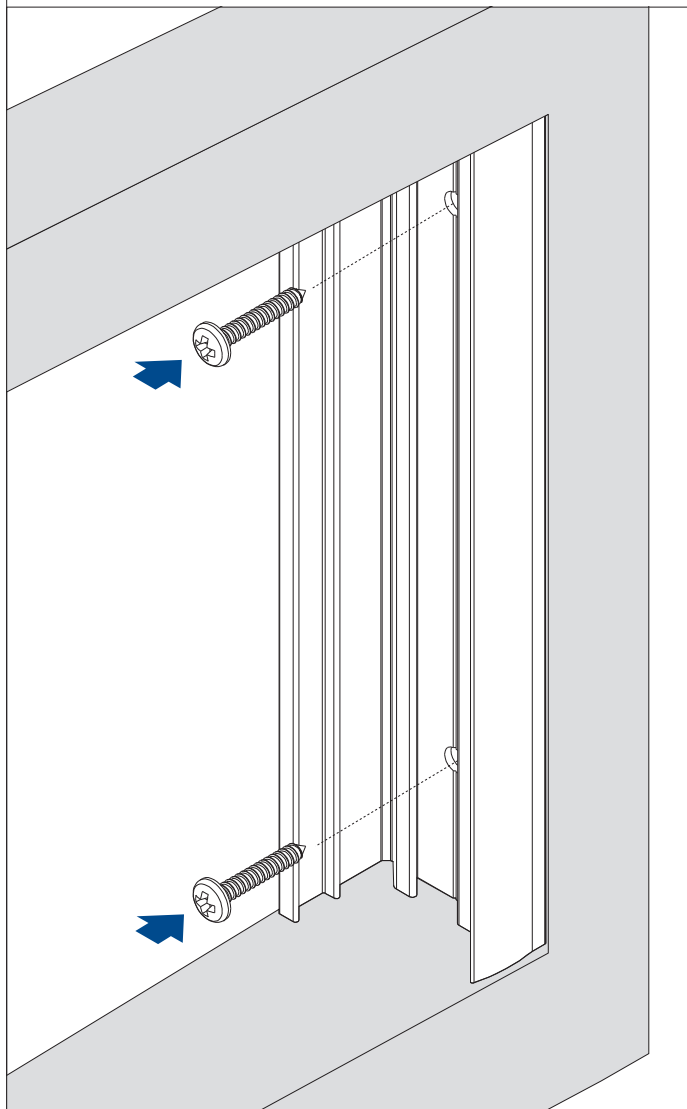
20 mm:
 $x_1 = 16 \text{ mm}$
 $x_2 = 16 \text{ mm}$

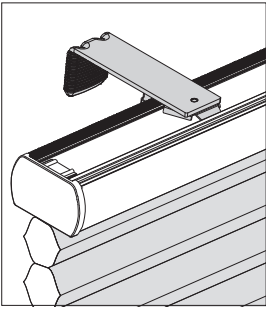
32 mm:
 $x_1 = 20 \text{ mm}$
 $x_2 = 22 \text{ mm}$

Hold left and right-hand SideProfiles in position, mark the holes to be drilled and drill the Profile (6 mm drill).

Install Clips at 5-7 cm. from Rail ends.

The screw-to-frame distance is 16 mm. Install the pleated blind in accordance with the installation manual for the correct model pleated blind. Install SideProfiles using the 3,5x 19mm screws nr 29.1616.0000





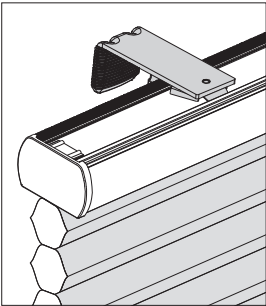
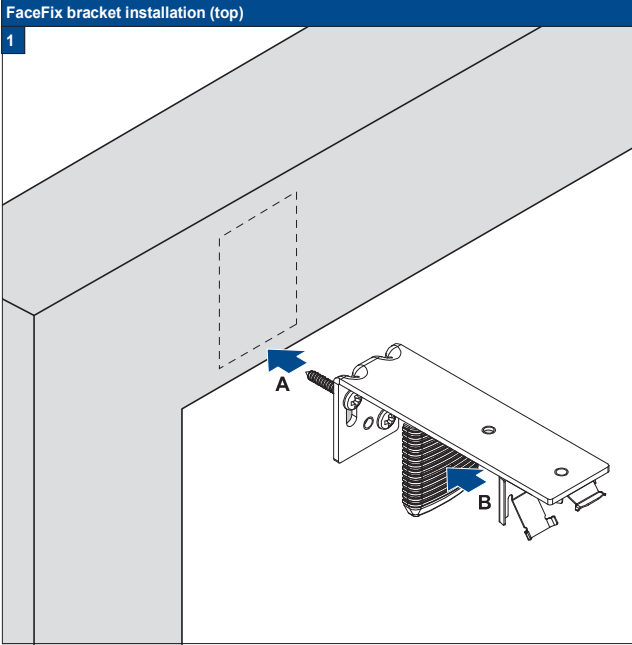
FaceFix Installation



Do not damage the product when using a sharp knife to open the packaging! Fitting screws: Use a size-2 screwdriver (POZIDRIVE) or use an electric screwdriver at it's lowest torque. Rail removal: Use a flat screwdriver of max. 6 mm wide. Only use the original screws enclosed, to prevent malfunctioning from using too thick screw heads!

Installation Option

25-32/F2



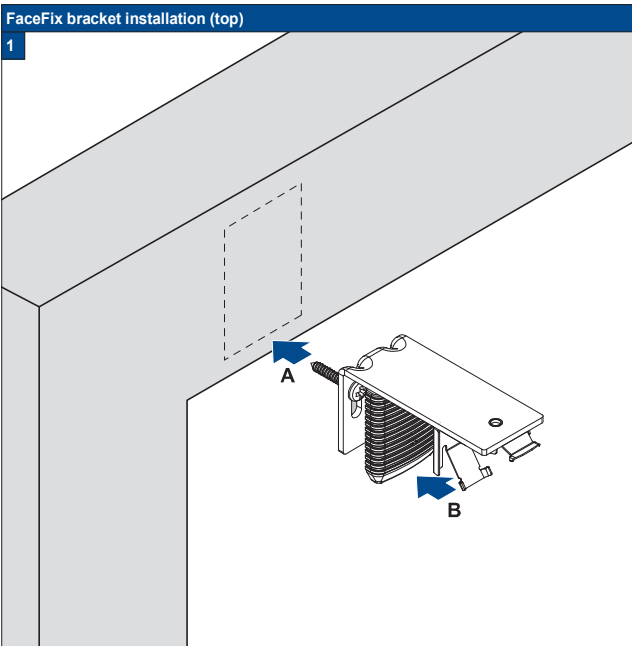
FaceFix Installation

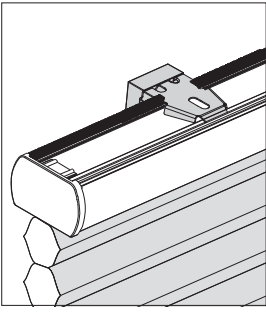


Do not damage the product when using a sharp knife to open the packaging! Fitting screws: Use a size-2 screwdriver (POZIDRIVE) or use an electric screwdriver at it's lowest torque. Rail removal: Use a flat screwdriver of max. 6 mm wide. Only use the original screws enclosed, to prevent malfunctioning from using too thick screw heads!

Installation Option

25-32/F3





FaceFix Installation



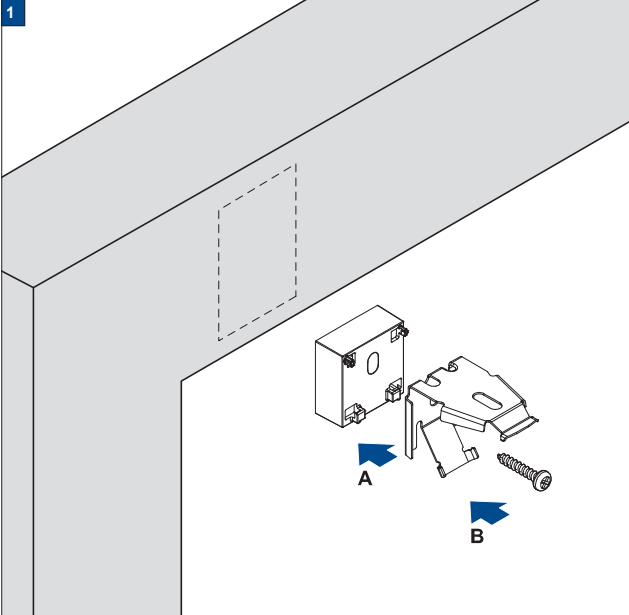
Do not damage the product when using a sharp knife to open the packaging! Fitting screws: Use a size-2 screwdriver (POZIDRIVE) or use an electric screwdriver at it's lowest torque. Rail removal: Use a flat screwdriver of max. 6 mm wide. Only use the original screws enclosed, to prevent malfunctioning from using too thick screw heads!

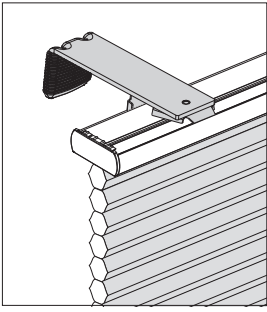
Installation Option

25-32/F4

FaceFix bracket installation (top)

1





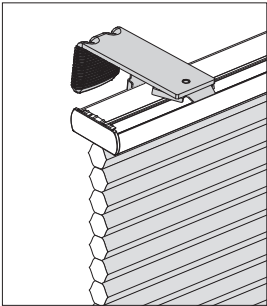
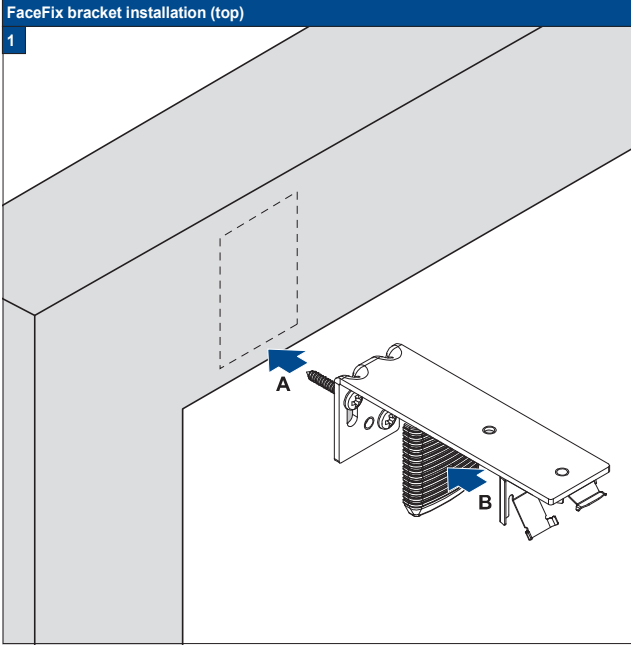
FaceFix Installation



Do not damage the product when using a sharp knife to open the packaging! Fitting screws: Use a size-2 screwdriver (POZIDRIVE) or use an electric screwdriver at it's lowest torque. Rail removal: Use a flat screwdriver of max. 6 mm wide. Only use the original screws enclosed, to prevent malfunctioning from using too thick screw heads!

Installation Option

64/F2



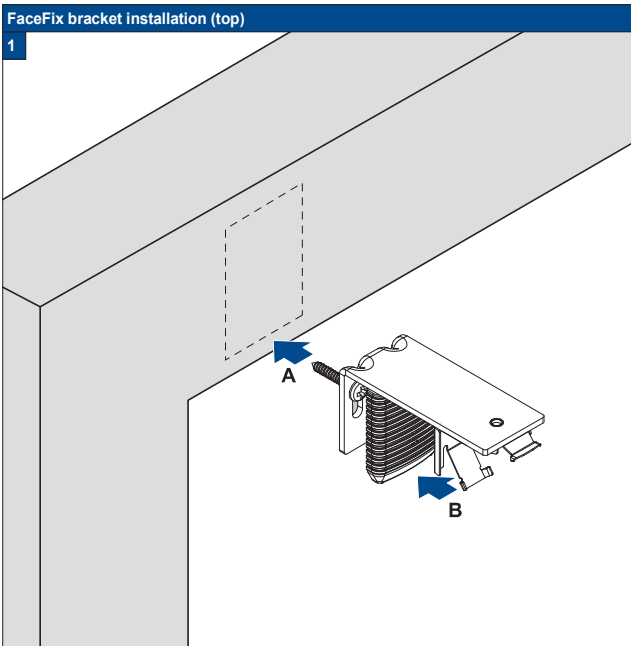
FaceFix Installation

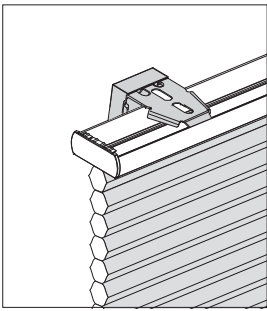


Do not damage the product when using a sharp knife to open the packaging! Fitting screws: Use a size-2 screwdriver (POZIDRIVE) or use an electric screwdriver at it's lowest torque. Rail removal: Use a flat screwdriver of max. 6 mm wide. Only use the original screws enclosed, to prevent malfunctioning from using too thick screw heads!

Installation Option

64/F3





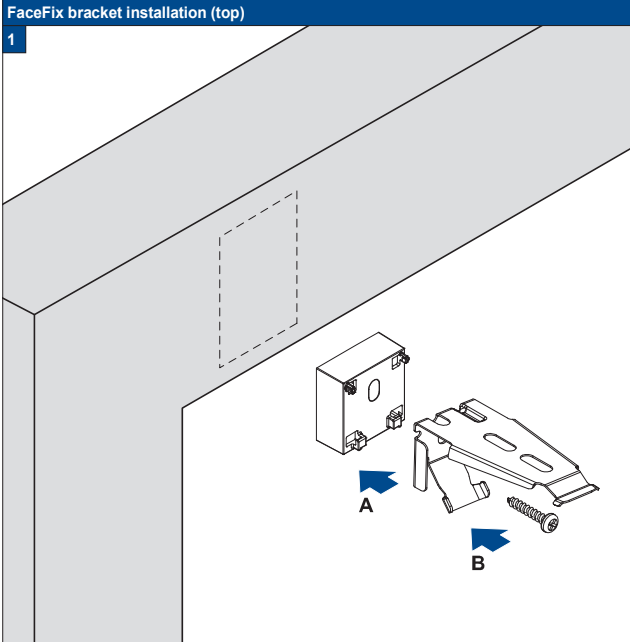
FaceFix Installation

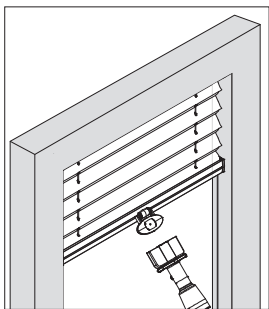


Do not damage the product when using a sharp knife to open the packaging! Fitting screws: Use a size-2 screwdriver (POZIDRIVE) or use an electric screwdriver at it's lowest torque. Rail removal: Use a flat screwdriver of max. 6 mm wide. Only use the original screws enclosed, to prevent malfunctioning from using too thick screw heads!

Installation Option

64/F4



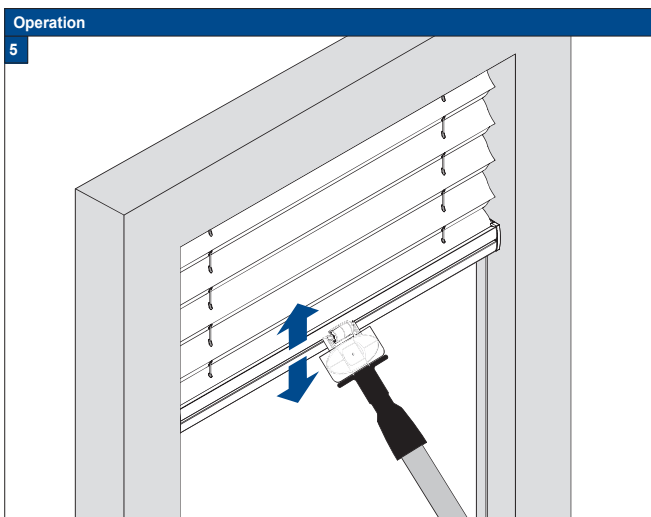
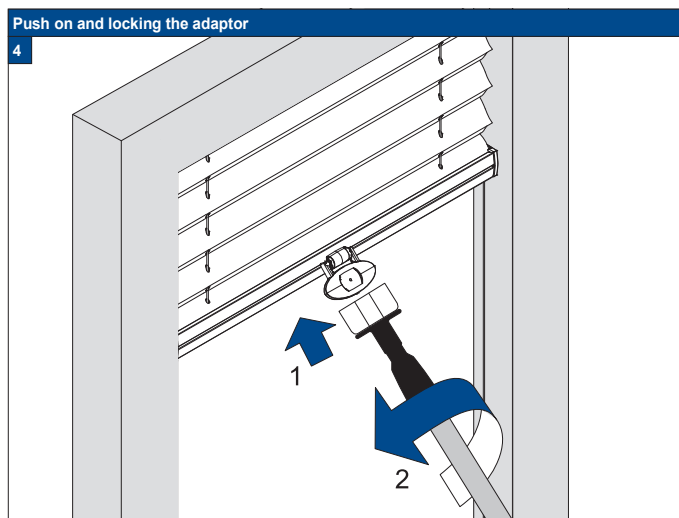
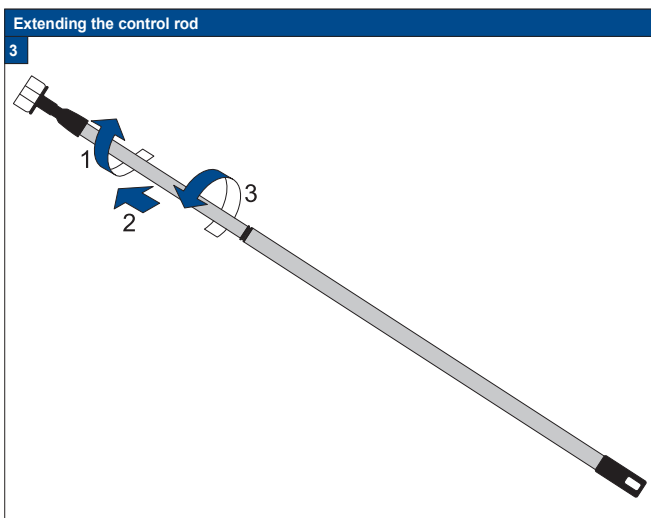
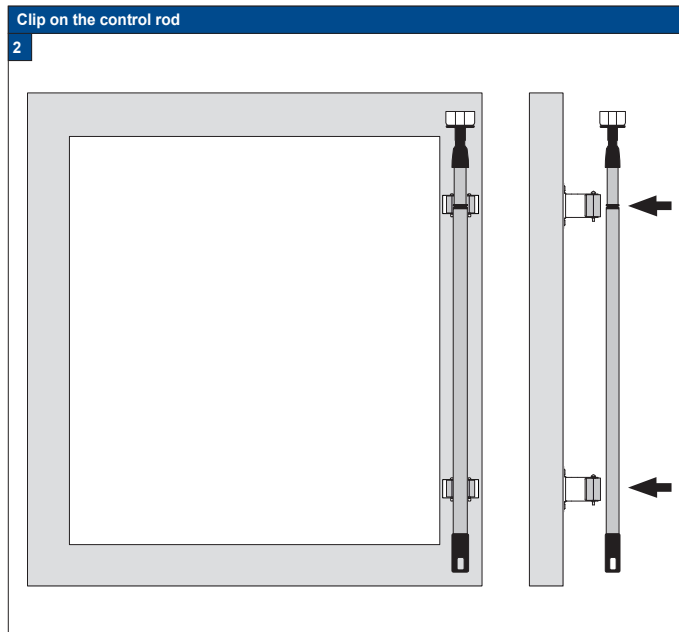
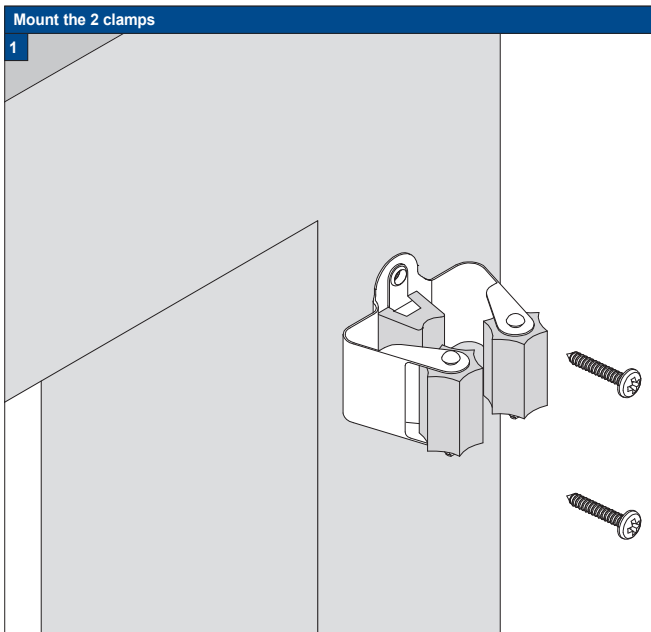


FaceFix Installation

Do not damage the product when using a sharp knife to open the packaging! Fitting screws: Use a size-2 screwdriver (POZIDRIVE) or use an electric screwdriver at it's lowest torque. Rail removal: Use a flat screwdriver of max. 6 mm wide. Only use the original screws enclosed, to prevent malfunctioning from using too thick screw heads!

Accessory

24 6334 7052





FaceFix Installation

! Do not damage the product when using a sharp knife to open the packaging! Fitting screws: Use a size-2 screwdriver (POZIDRIVE) or use an electric screwdriver at it's lowest torque. Rail removal: Use a flat screwdriver of max. 6 mm wide. Only use the original screws enclosed, to prevent malfunctioning from using too thick screw heads!

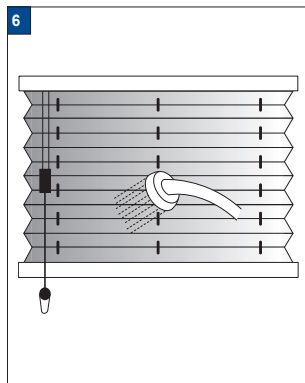
Accessoiry

29 1508



Maintenance and care Plissé & Duette® Shades

- The profiles and control elements of The products require no maintenance.
- The fabrics have been treated to make them anti-static and dust repellent.
- Regular brushing-off should be sufficient to keep them clean.
- If necessary most products can be washed.
- On motor-operated shades, the electrical parts must not come into contact with water.



- 1 The product fold up (pleat package closed)
- 2 Remove the product from the brackets with help of a flat screwdriver.
- 3 Use a mild-action detergent solution with a water temperature of max. 30°C.
- 4 Let the shade soak for 15 minutes.
- 5 After 15 minutes the product carefully washing.
- 6 Pull the pleats up together into a package (as when the shade is in a raised position), press the water of 30°C out.
- 7 Hang the shade while it is still moist and leave it to dry in raised position.
- 8 Mount the product in the clips.
- 9 Leave the product in raised position (pleat package closed) for 12 hours. Do not iron!

