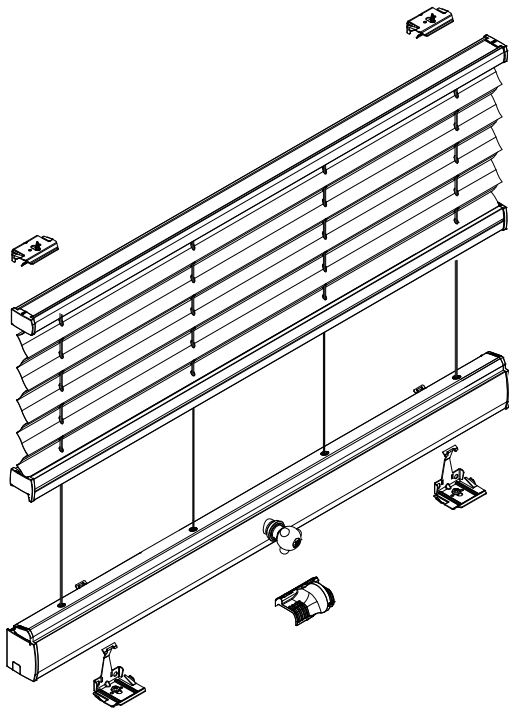


Installation TopFix / RecessFix [R1]

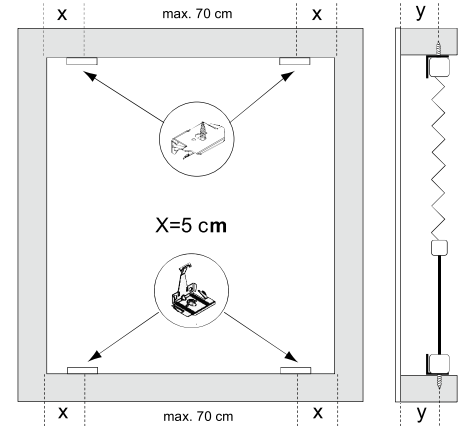
**Model
PR11/16**

- Do not damage the product when using a sharp knife to open the packaging! Fitting screws: Use a size-2 screwdriver (PO-ZIDRIVE) or use an electric screwdriver at it's lowest torque.
 - Rail removal: Use a flat screwdriver of max. 6 mm wide.
- use the original screws enclosed, to prevent malfunctioning from using too thick screw heads!

Installation and User's manual PB - GB



Product width	Number of parts			
0 - 80 cm	3	3	1	6
81 - 115 cm	4	4	1	8
116 - 150 cm	5	5	1	10
151 - 185 cm	6	6	1	12
186 - 220 cm	7	7	1	14
221 - 230 cm	8	8	1	16



Clip installation (bottom rail)

1

Clip installation (high rail)

2

Installation sequence

3 Note: if necessary, before clicking the rail into place, slacken the steel wire

Rail installation sequence on Clips

3-A1

3-A2

3-B1

3-B2

Tensioning/slackening the steel wire

4

Push firmly to the right/left to tension/slacken the steel wire

Operation

5

To open/close the blind, place the end of the CrankRod on the turning knob on the rail and turn it in a clockwise/anticlockwise direction.

Removal

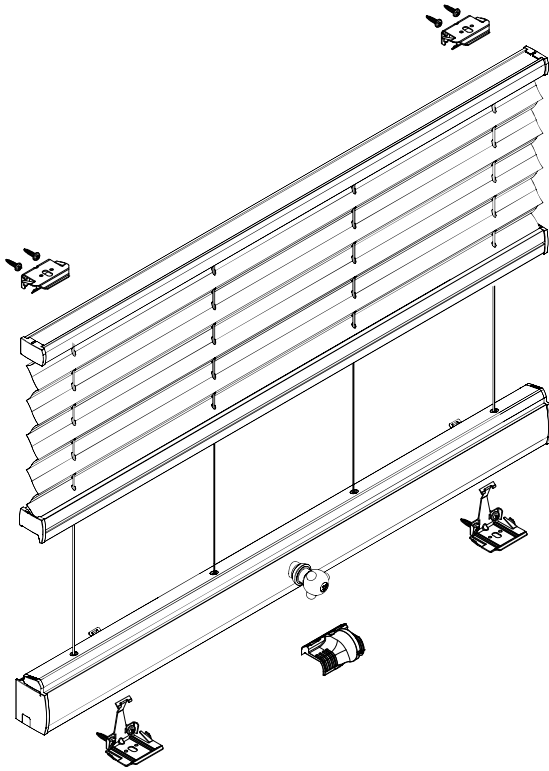
21-03-2014

FaceFix installation to a window frame / wall [F1]

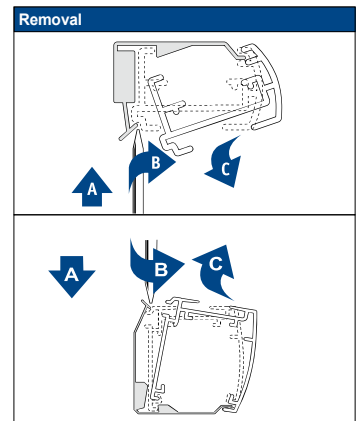
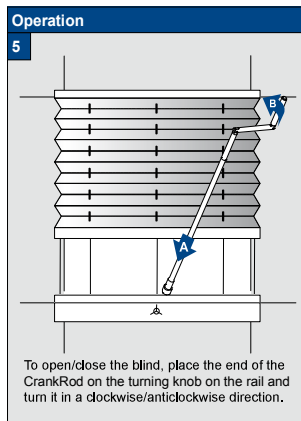
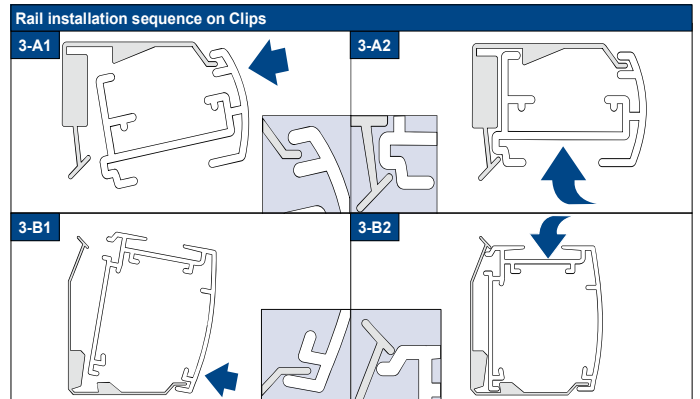
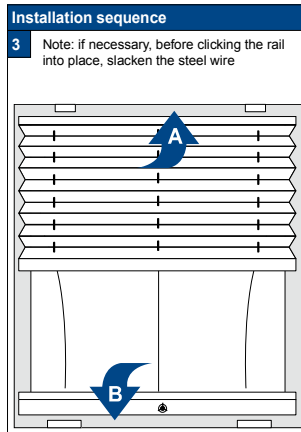
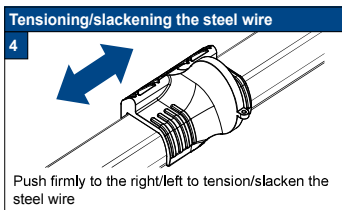
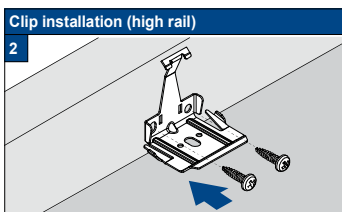
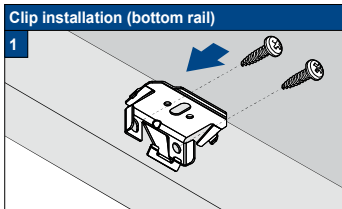
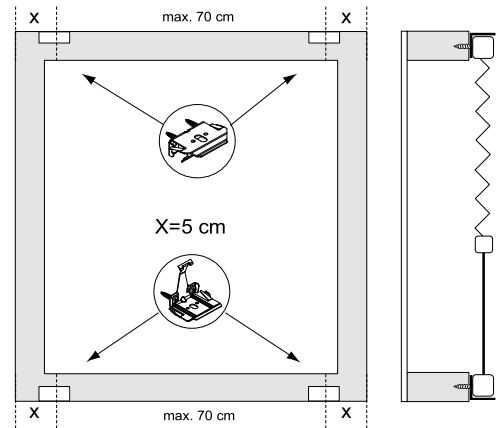
**Model
PR11/16**

- Do not damage the product when using a sharp knife to open the packaging! Fitting screws: Use a size-2 screwdriver (PO-ZIDRIVE) or use an electric screwdriver at it's lowest torque.
 - Rail removal: Use a flat screwdriver of max. 6 mm wide.
- use the original screws enclosed, to prevent malfunctioning from using too thick screw heads!

Installation and User's manual PB - GB



Product width	Number of parts			
0 - 80 cm	3	3	1	12
81 - 115 cm	4	4	1	16
116 - 150 cm	5	5	1	20
151 - 185 cm	6	6	1	24
186 - 220 cm	7	7	1	28
221 - 230 cm	8	8	1	32



21-03-2014



Installation RecessFix



Do not damage the product when using a sharp knife to open the packaging! Fitting screws: Use a size-2 screwdriver (POZIDRIVE) or use an electric screwdriver at it's lowest torque. Rail removal: Use a flat screwdriver of max. 6 mm wide. Only use the original screws enclosed, to prevent malfunctioning from using too thick screw heads!

Installation Option

A1

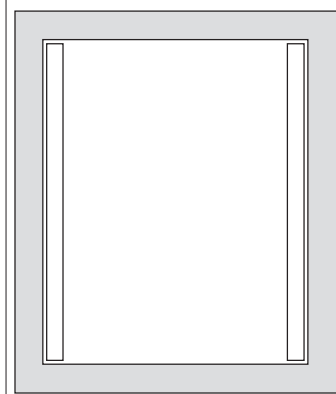
RecessFix installation

1



Check the size of the supplied rails

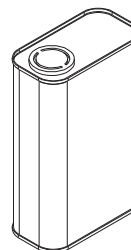
2



Note

2A

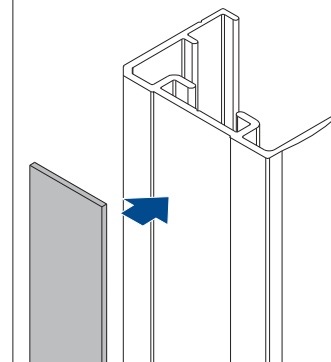
Thoroughly clean the window frame surface (only suitable for alu/PVC frames) with cleaner Nr 29.1741.0000 before applying the profiles with self-adhesive tape.



Apply the tape

3

Apply the tape



Installing the top SideBracket

4



Securing the SideBracket

5A

SideBracket with socket-head Grubscrews M4. The height can be adjusted, e.g. for required ventilation purposes



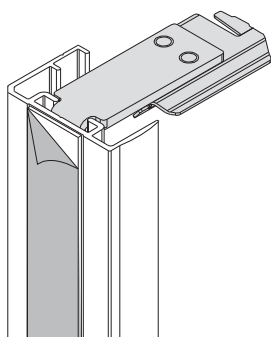
Installing the bottom SideBracket

5B



Remove the backing from the adhesive tape

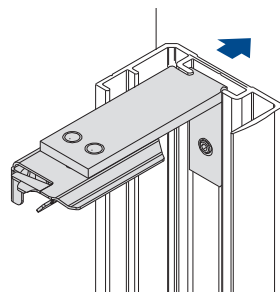
6



Securing the Sidecover U-profile

7

Firmly push the Sidecover U-profile (channel) onto the pre-cleaned mounting surface. Let the tape settle and cure for at least 60 minutes!



Click blind into the clips

8

See the specific model installation manual for further instructions



FaceFix Installation



Do not damage the product when using a sharp knife to open the packaging! Fitting screws: Use a size-2 screwdriver (POZIDRIVE) or use an electric screwdriver at it's lowest torque. Rail removal: Use a flat screwdriver of max. 6 mm wide. Only use the original screws enclosed, to prevent malfunctioning from using too thick screw heads!

Installation Option

A1

RecessFix installation

1



Check the size of the supplied rails

2



Note

2A

Thoroughly clean the window frame surface (only suitable for alu/PVC frames) with cleaner Nr 29.1741.0000 before applying the profiles with self-adhesive tape.



Apply the tape

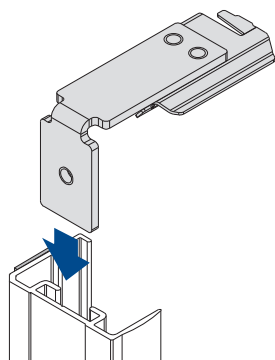
3

Apply the tape



Installing the top SideBracket

4



Securing the SideBracket

5A

SideBracket with socket-head Grubscrews M4. The height can be adjusted, e.g. for required ventilation purposes



Installing the bottom SideBracket

5B



Remove the backing from the adhesive tape

6



Securing the Sidecover U-profile

7

Firmly push the Sidecover U-profile (channel) onto the pre-cleaned mounting surface. Let the tape settle and cure for at least 60 minutes!



Click blind into the clips

8

See the specific model installation manual for further instructions



OnFace installation

!

Do not damage the product when using a sharp knife to open the packaging! Fitting screws: Use a size-2 screwdriver (POZIDRIVE) or use an electric screwdriver at it's lowest torque. Rail removal: Use a flat screwdriver of max. 6 mm wide. Only use the original screws enclosed, to prevent malfunctioning from using too thick screw heads!

Installation Option

C1





FaceFix Installation

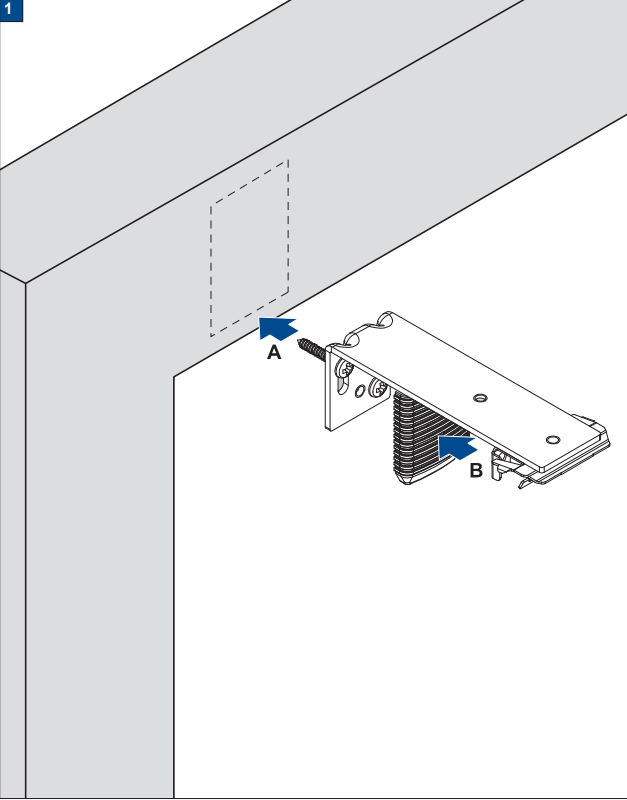


Do not damage the product when using a sharp knife to open the packaging! Fitting screws: Use a size-2 screwdriver (POZIDRIVE) or use an electric screwdriver at it's lowest torque. Rail removal: Use a flat screwdriver of max. 6 mm wide. Only use the original screws enclosed, to prevent malfunctioning from using too thick screw heads!

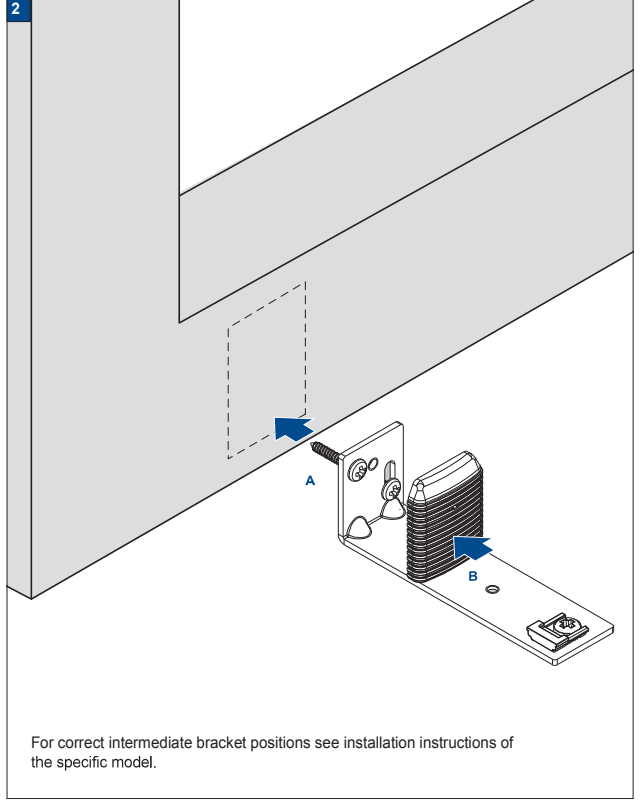
Installation Option

F2-F3

FaceFix bracket installation (top)



FaceFix bracket installation (bottom)





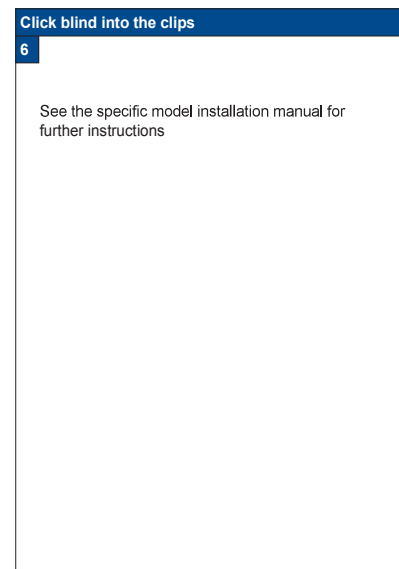
Installation RecessFix



Do not damage the product when using a sharp knife to open the packaging! Fitting screws: Use a size-2 screwdriver (POZIDRIVE) or use an electric screwdriver at it's lowest torque. Rail removal: Use a flat screwdriver of max. 6 mm wide. Only use the original screws enclosed, to prevent malfunctioning from using too thick screw heads!

Installation Option

M1





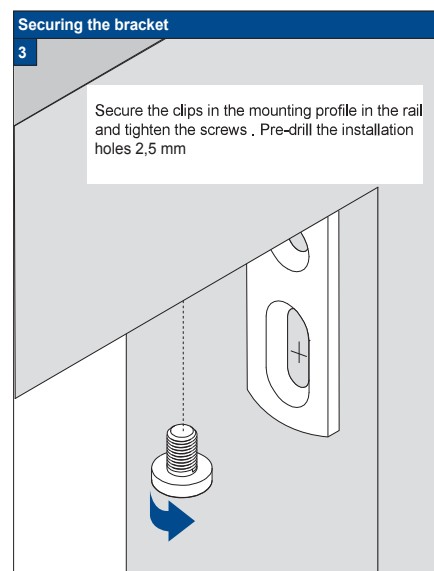
Installation RecessFix



Do not damage the product when using a sharp knife to open the packaging! Fitting screws: Use a size-2 screwdriver (POZIDRIVE) or use an electric screwdriver at it's lowest torque. Rail removal: Use a flat screwdriver of max. 6 mm wide. Only use the original screws enclosed, to prevent malfunctioning from using too thick screw heads!

Installation Option

M1A





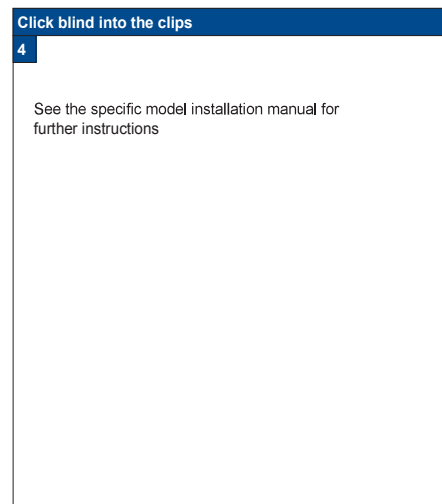
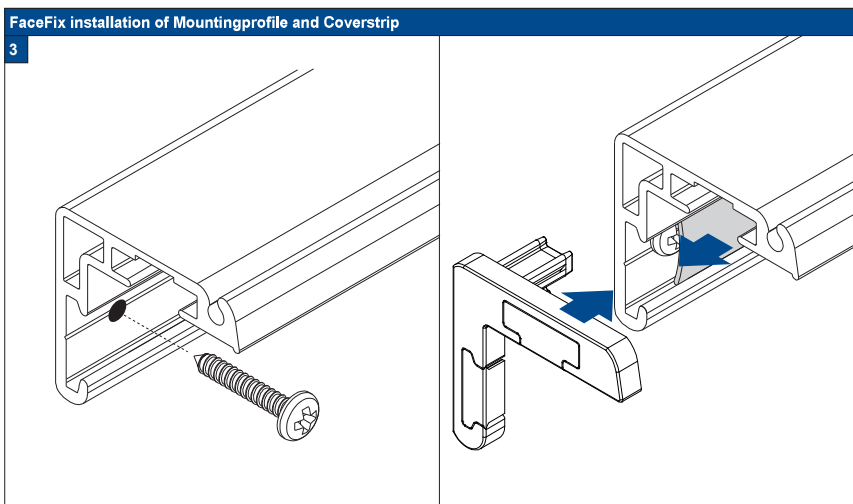
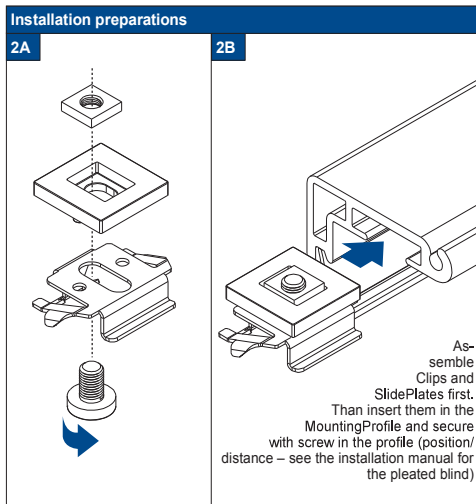
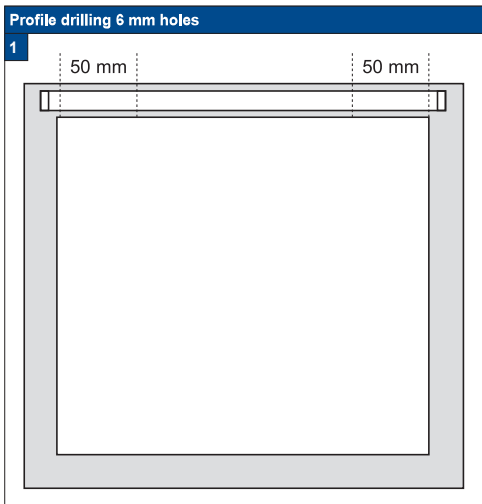
FaceFix Installation



Do not damage the product when using a sharp knife to open the packaging! Fitting screws: Use a size-2 screwdriver (POZIDRIVE) or use an electric screwdriver at it's lowest torque. Rail removal: Use a flat screwdriver of max. 6 mm wide. Only use the original screws enclosed, to prevent malfunctioning from using too thick screw heads!

Installation Option

M1





Installation RecessFix

! Do not damage the product when using a sharp knife to open the packaging! Fitting screws: Use a size-2 screwdriver (POZIDRIVE) or use an electric screwdriver at it's lowest torque. Rail removal: Use a flat screwdriver of max. 6 mm wide. Only use the original screws enclosed, to prevent malfunctioning from using too thick screw heads!

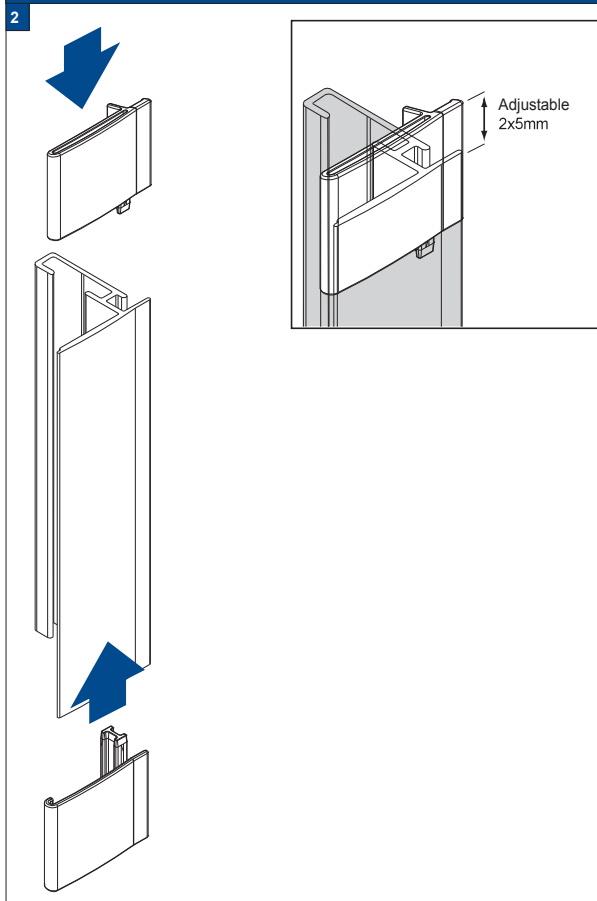
Installation Option

S1

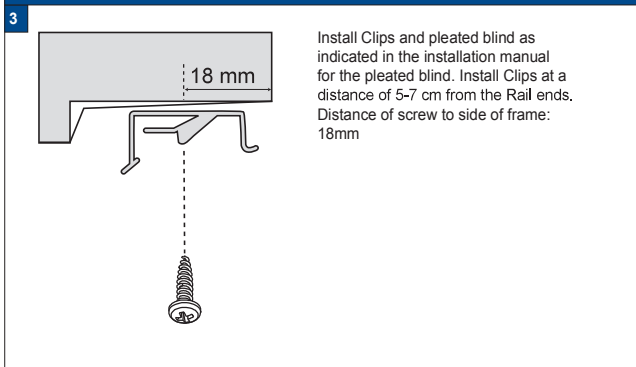
Pre-drill hardwood 2,5 mm



Fitting the covers



Install the blind



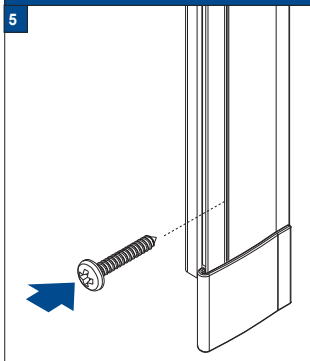
Installation in window frame for 90° and 96°



Install spacers for 90° angle



Secure the SideProfile





Installation RecessFix



Do not damage the product when using a sharp knife to open the packaging! Fitting screws: Use a size-2 screwdriver (POZIDRIVE) or use an electric screwdriver at it's lowest torque. Rail removal: Use a flat screwdriver of max. 6 mm wide. Only use the original screws enclosed, to prevent malfunctioning from using too thick screw heads!

Installation Option

S3

Profile drilling 6 mm holes



RecessFix installation (90°)

2

20 mm:
 $x_1 = 16 \text{ mm}$
 $x_2 = 16 \text{ mm}$

32 mm:
 $x_1 = 20 \text{ mm}$
 $x_2 = 22 \text{ mm}$

Hold left and right-hand SideProfiles in position, mark the holes to be drilled and drill the Profile (6 mm drill).

Install Clips at 5-7 cm. from Rail ends.

The screw-to-frame distance is 16 mm. Install the pleated blind in accordance with the installation manual for the correct model pleated blind. Install SideProfiles using the 3,5x 19mm screws nr 29.1616.0000



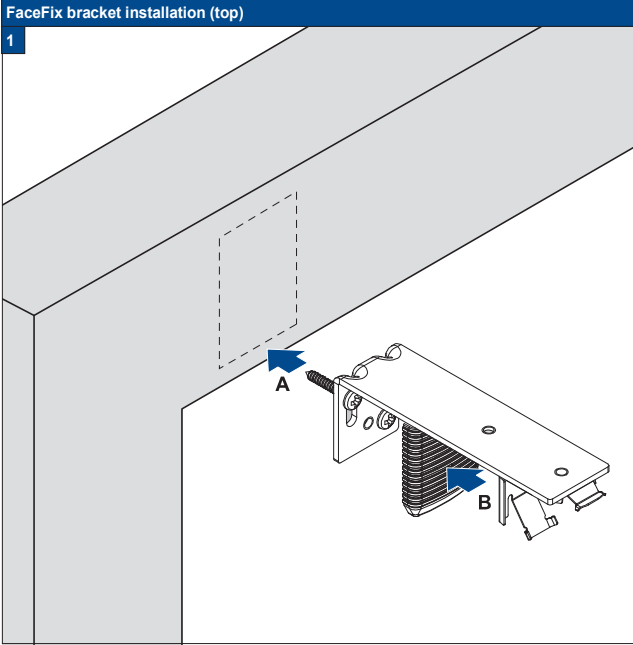


FaceFix Installation



Do not damage the product when using a sharp knife to open the packaging! Fitting screws: Use a size-2 screwdriver (POZIDRIVE) or use an electric screwdriver at it's lowest torque. Rail removal: Use a flat screwdriver of max. 6 mm wide. Only use the original screws enclosed, to prevent malfunctioning from using too thick screw heads!

Installation Option
25-32/F2

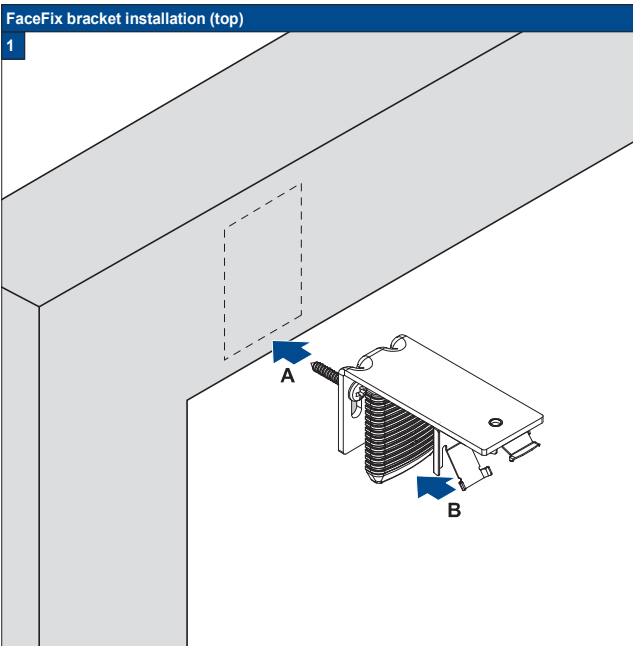


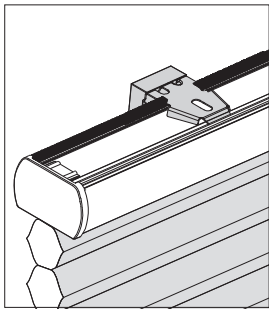
FaceFix Installation



Do not damage the product when using a sharp knife to open the packaging! Fitting screws: Use a size-2 screwdriver (POZIDRIVE) or use an electric screwdriver at it's lowest torque. Rail removal: Use a flat screwdriver of max. 6 mm wide. Only use the original screws enclosed, to prevent malfunctioning from using too thick screw heads!

Installation Option
25-32/F3



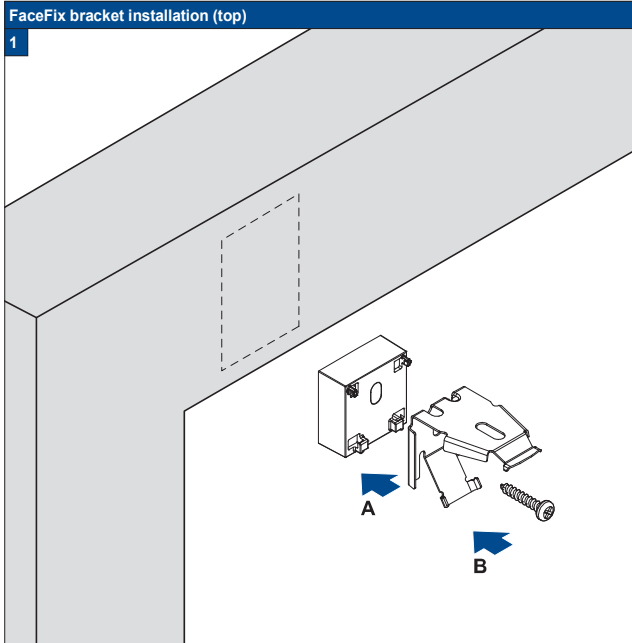


FaceFix Installation

! Do not damage the product when using a sharp knife to open the packaging! Fitting screws: Use a size-2 screwdriver (POZIDRIVE) or use an electric screwdriver at it's lowest torque. Rail removal: Use a flat screwdriver of max. 6 mm wide. Only use the original screws enclosed, to prevent malfunctioning from using too thick screw heads!

Installation Option

25-32/F4





FaceFix Installation



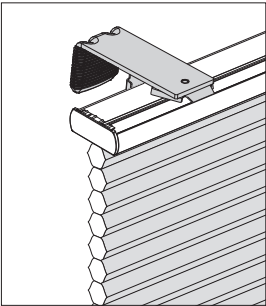
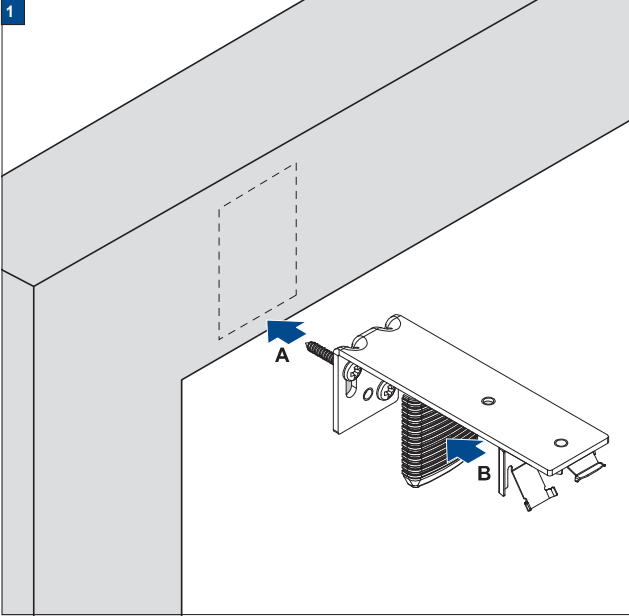
Do not damage the product when using a sharp knife to open the packaging! Fitting screws: Use a size-2 screwdriver (POZIDRIVE) or use an electric screwdriver at it's lowest torque. Rail removal: Use a flat screwdriver of max. 6 mm wide. Only use the original screws enclosed, to prevent malfunctioning from using too thick screw heads!

Installation Option

64/F2

FaceFix bracket installation (top)

1



FaceFix Installation



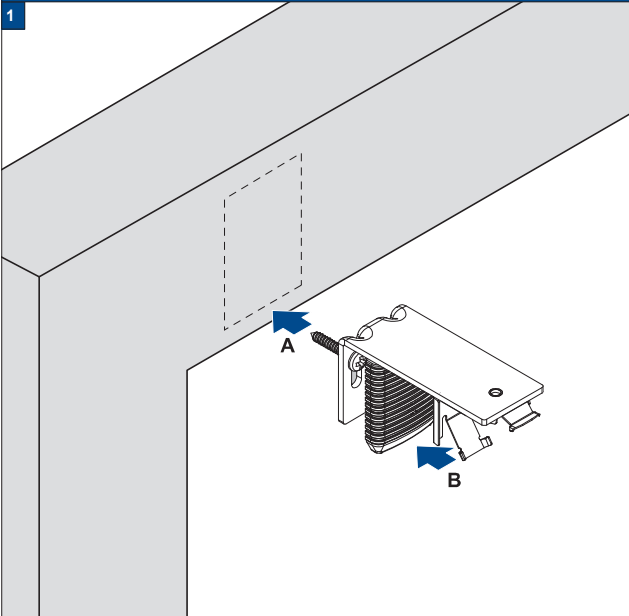
Do not damage the product when using a sharp knife to open the packaging! Fitting screws: Use a size-2 screwdriver (POZIDRIVE) or use an electric screwdriver at it's lowest torque. Rail removal: Use a flat screwdriver of max. 6 mm wide. Only use the original screws enclosed, to prevent malfunctioning from using too thick screw heads!

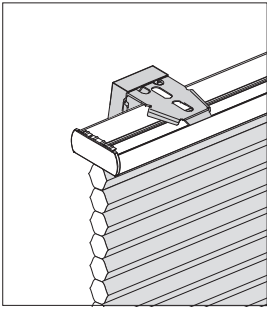
Installation Option

64/F3

FaceFix bracket installation (top)

1





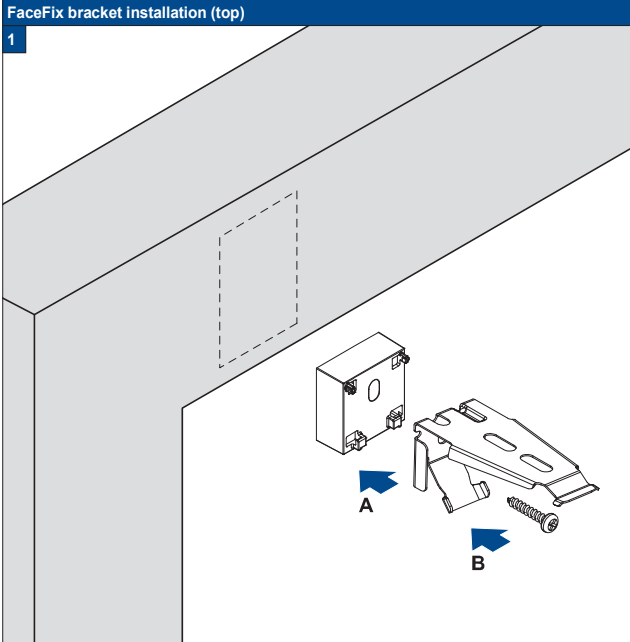
FaceFix Installation



Do not damage the product when using a sharp knife to open the packaging! Fitting screws: Use a size-2 screwdriver (POZIDRIVE) or use an electric screwdriver at it's lowest torque. Rail removal: Use a flat screwdriver of max. 6 mm wide. Only use the original screws enclosed, to prevent malfunctioning from using too thick screw heads!

Installation Option

64/F4



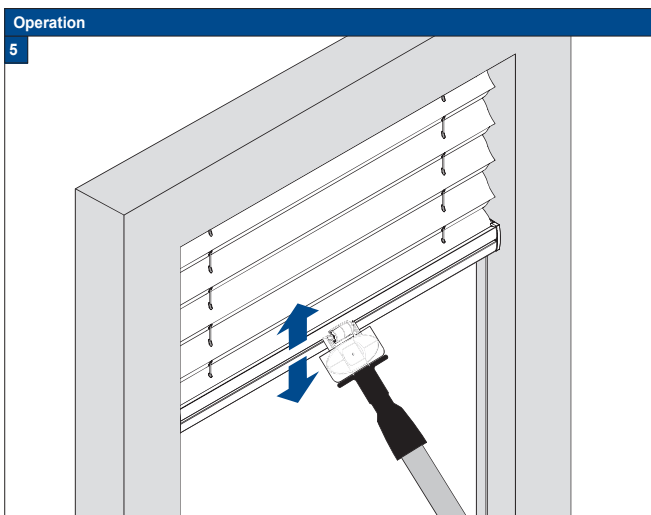
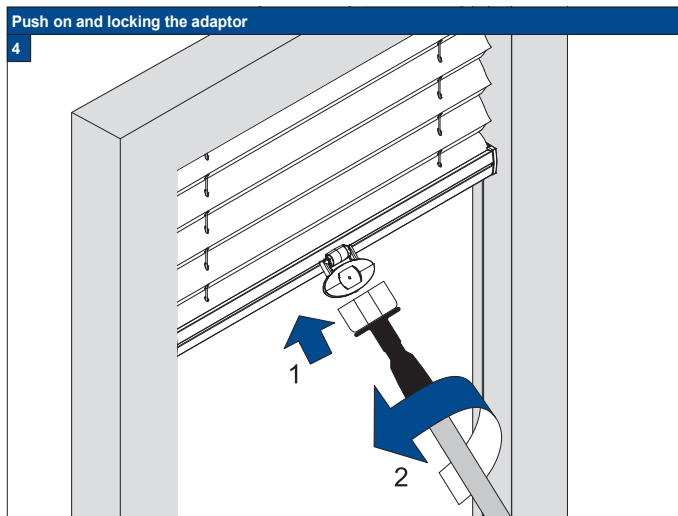
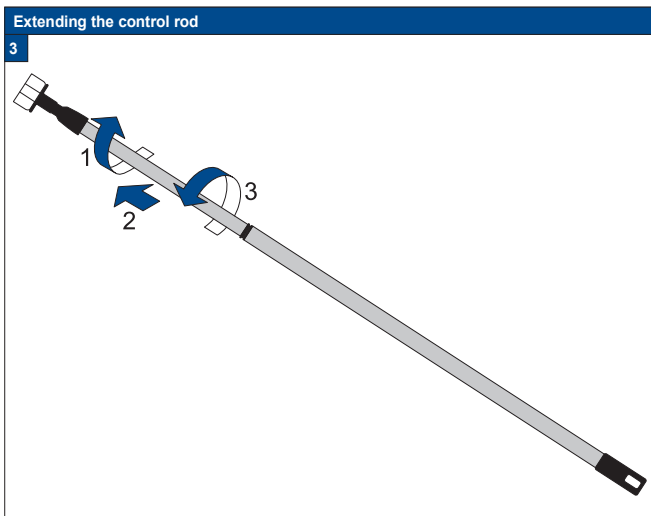
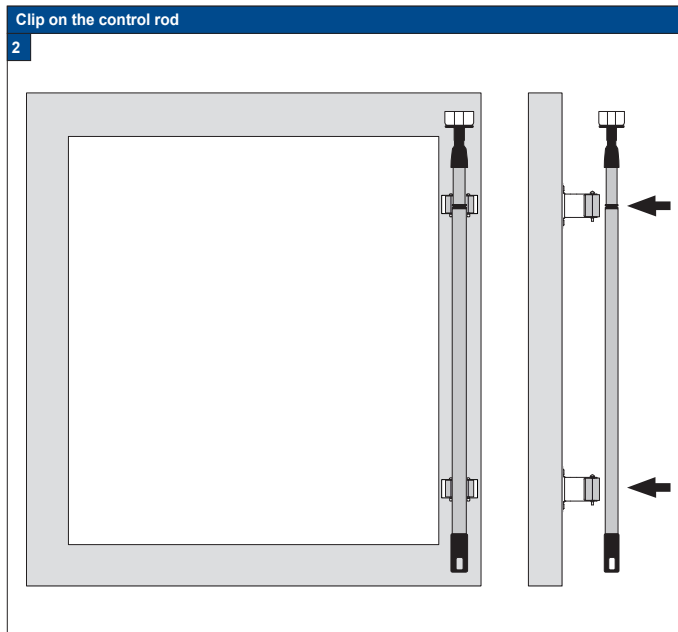


FaceFix Installation

Do not damage the product when using a sharp knife to open the packaging! Fitting screws: Use a size-2 screwdriver (POZIDRIVE) or use an electric screwdriver at it's lowest torque. Rail removal: Use a flat screwdriver of max. 6 mm wide. Only use the original screws enclosed, to prevent malfunctioning from using too thick screw heads!

Accessory

24 6334 7052





FaceFix Installation

! Do not damage the product when using a sharp knife to open the packaging! Fitting screws: Use a size-2 screwdriver (POZIDRIVE) or use an electric screwdriver at it's lowest torque. Rail removal: Use a flat screwdriver of max. 6 mm wide. Only use the original screws enclosed, to prevent malfunctioning from using too thick screw heads!

Accessoiry

29 1508



Maintenance and care Plissé & Duette® Shades

- The profiles and control elements of The products require no maintenance.
- The fabrics have been treated to make them anti-static and dust repellent.
- Regular brushing-off should be sufficient to keep them clean.
- If necessary most products can be washed.
- On motor-operated shades, the electrical parts must not come into contact with water.



- 1 The product fold up (pleat package closed)
- 2 Remove the product from the brackets with help of a flat screwdriver.
- 3 Use a mild-action detergent solution with a water temperature of max. 30°C.
- 4 Let the shade soak for 15 minutes.
- 5 After 15 minutes the product carefully washing.
- 6 Pull the pleats up together into a package (as when the shade is in a raised position), press the water of 30°C out.
- 7 Hang the shade while it is still moist and leave it to dry in raised position.
- 8 Mount the product in the clips.
- 9 Leave the product in raised position (pleat package closed) for 12 hours. Do not iron!

