

# Indholdsfortegnelse

## **Kædetræk**

Type 11

Type 21

## **Literise**

Type 14

Type 24

## **Kassette**

Type 561 & 581

Type 564 & 584

Type 566 & 586

Type 571 & 591

Type 574 & 594

Type 576 & 596

Type 681

Type 686

Type 691

Type 696

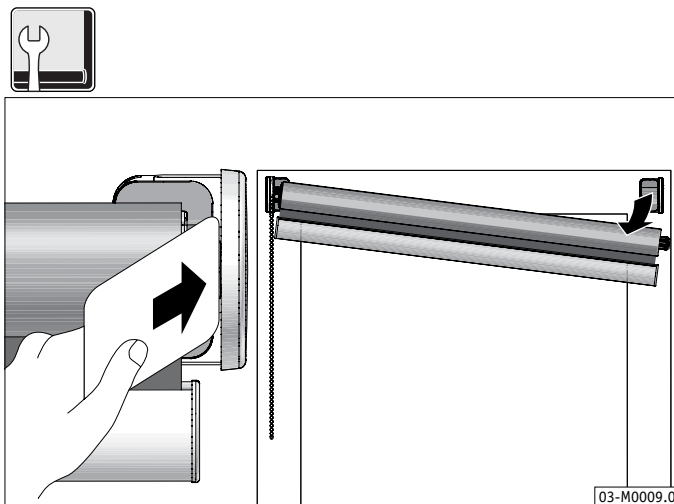
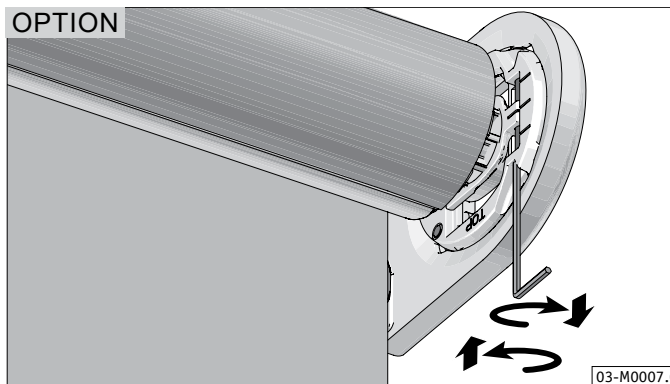
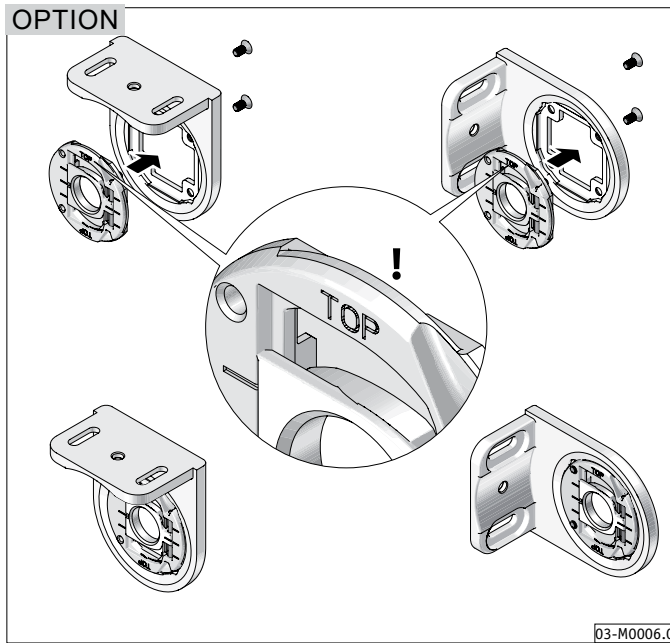
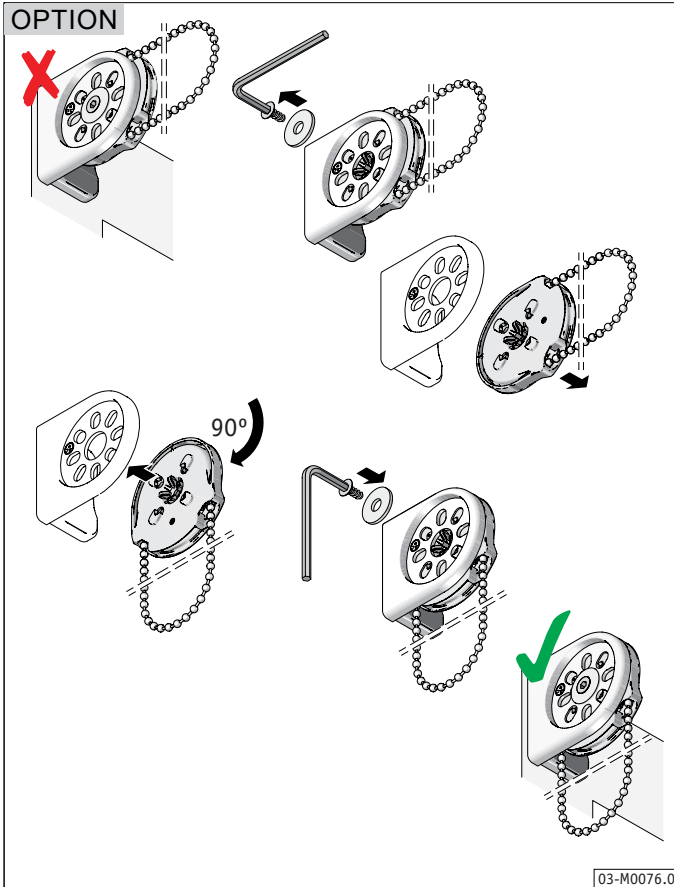
Type SCG35

Type SCG 64

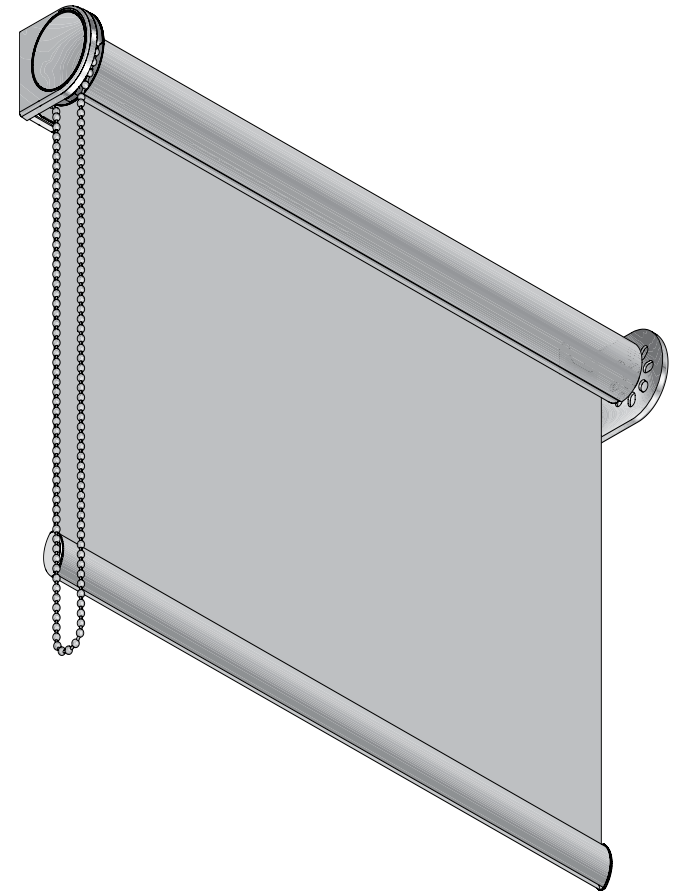
## **Motor**

Type 16

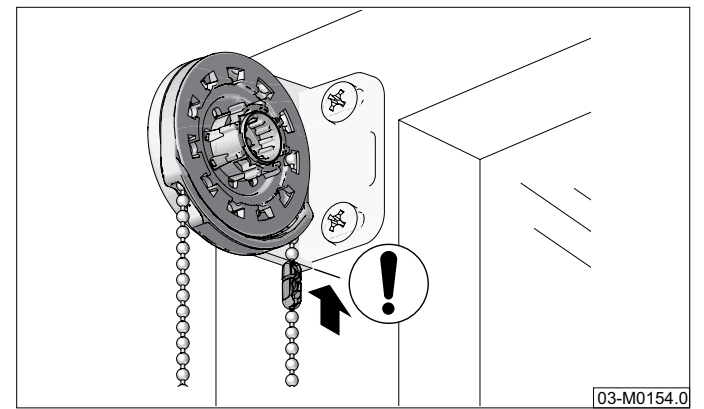
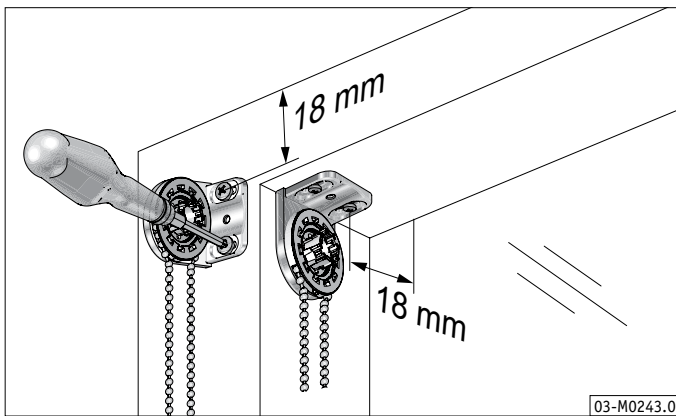
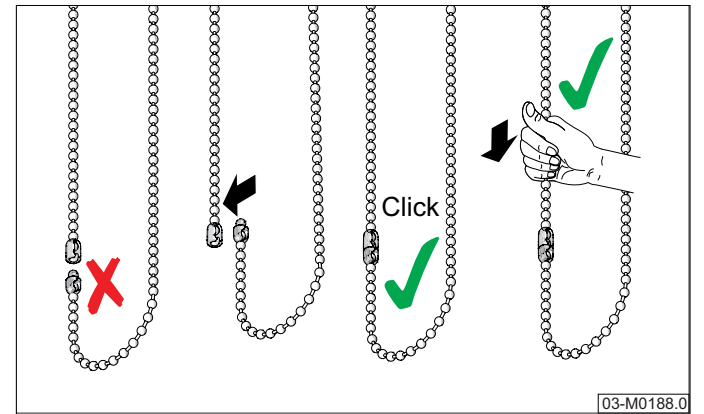
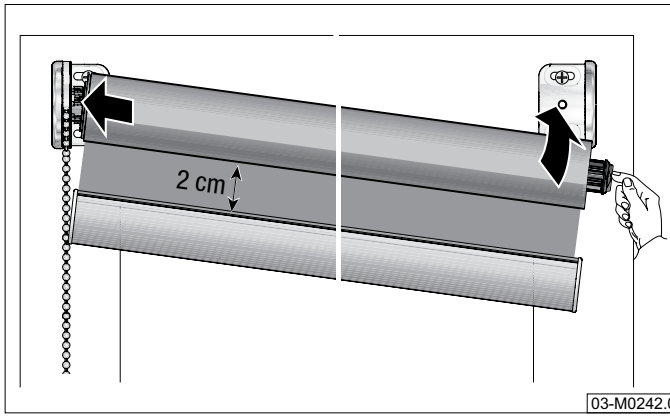
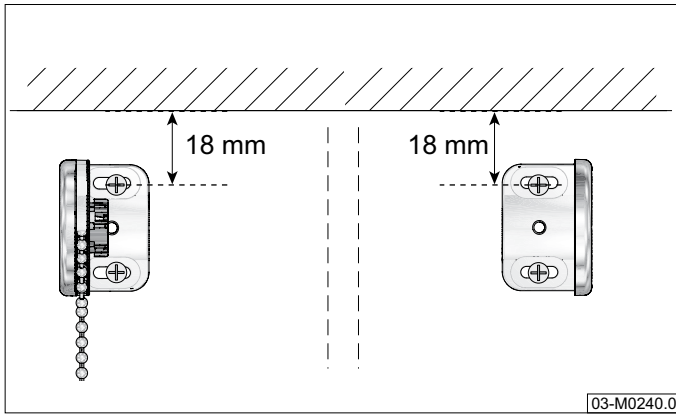
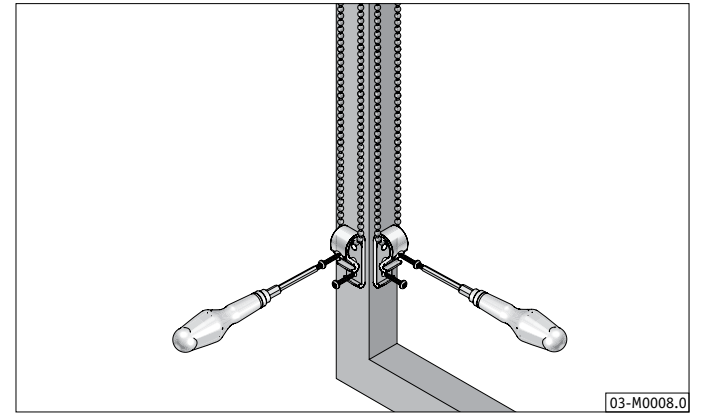
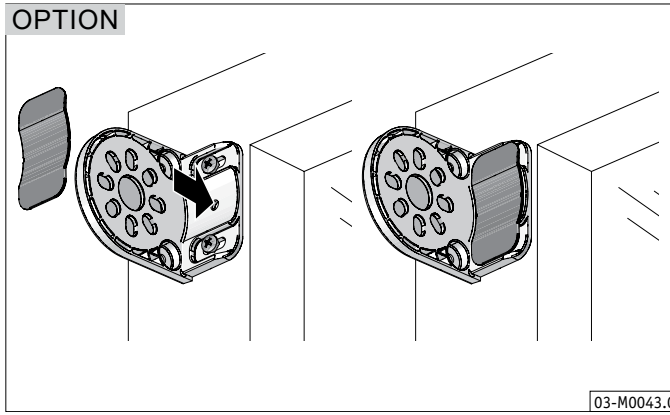
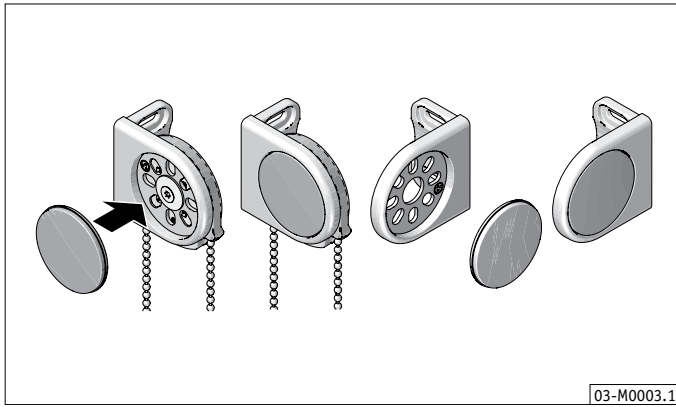
Type 26



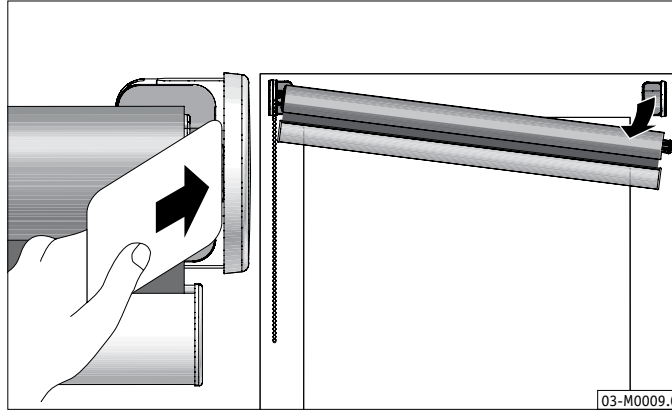
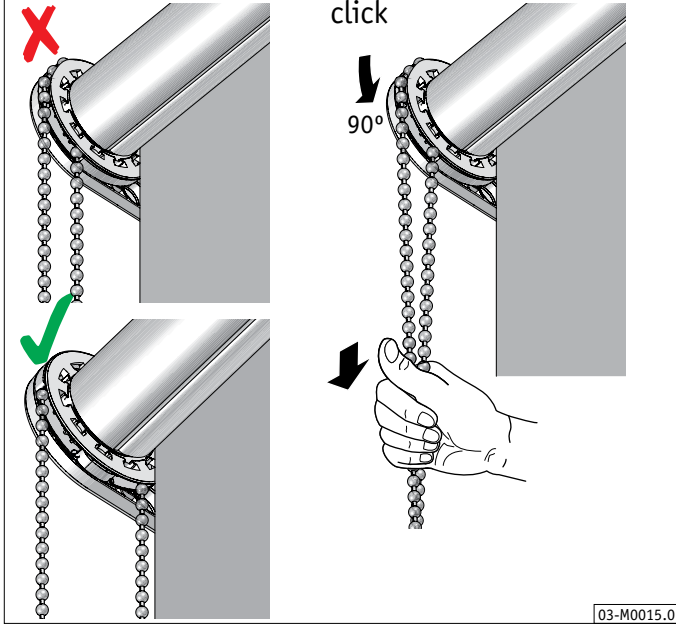
**i** **Installation Instruction**  
 Roller Blind EOS® 500 Xcel  
 Aluminium Brackets  
 Chain Operated  
 Type 11





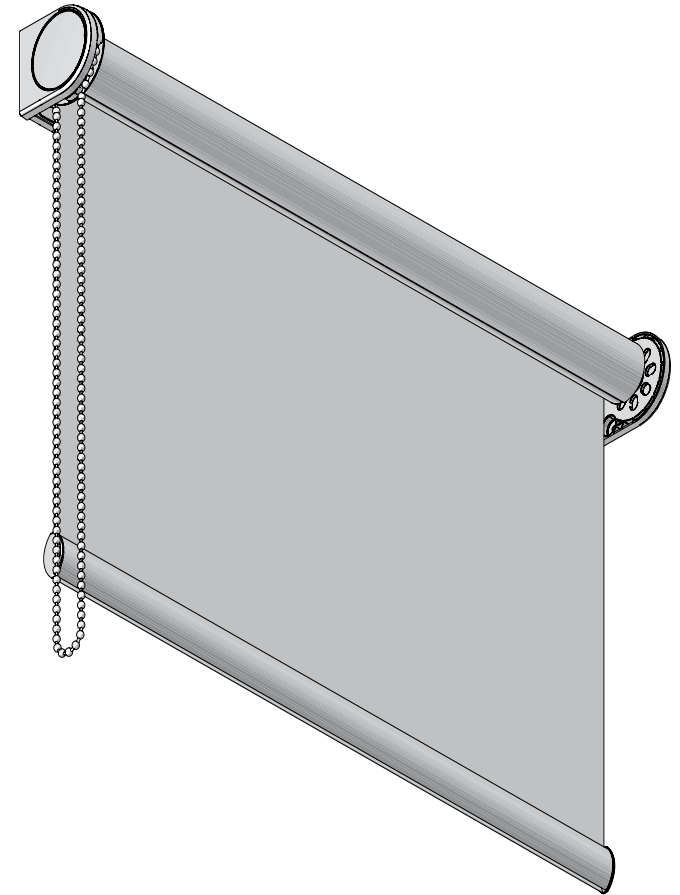


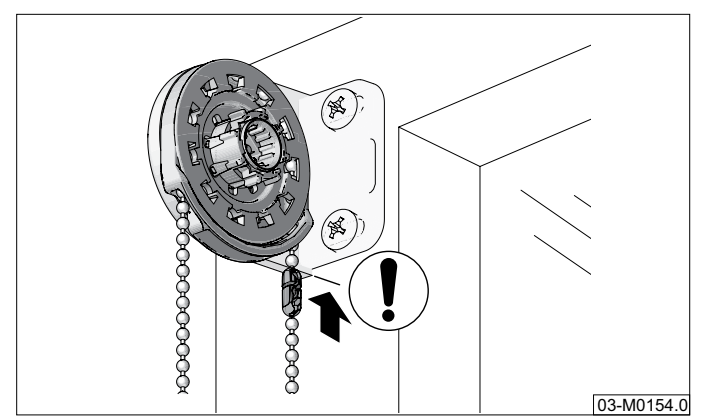
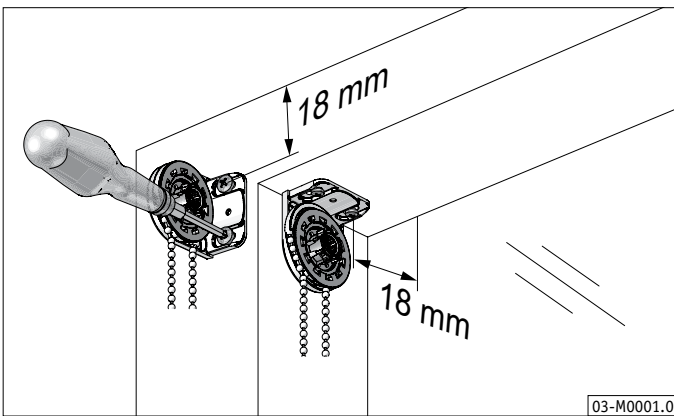
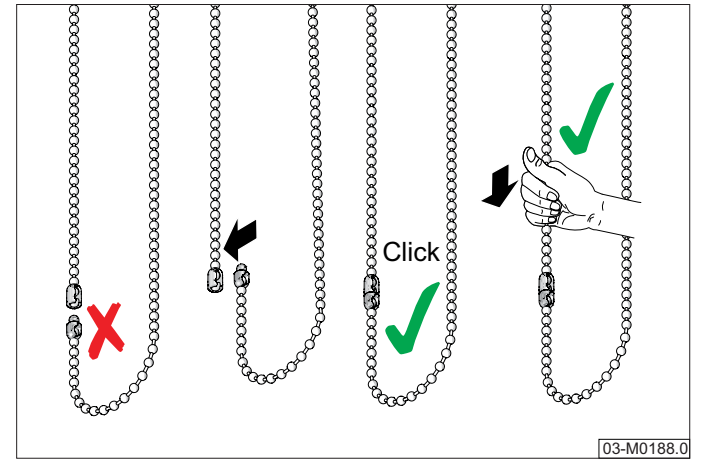
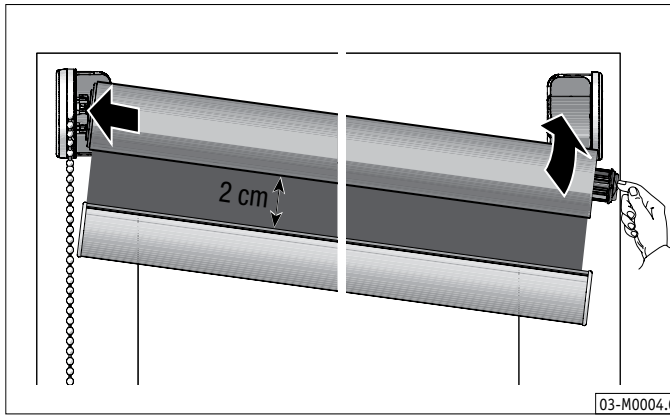
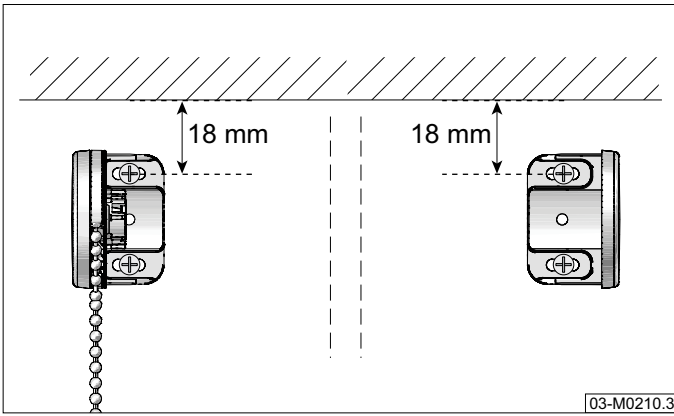
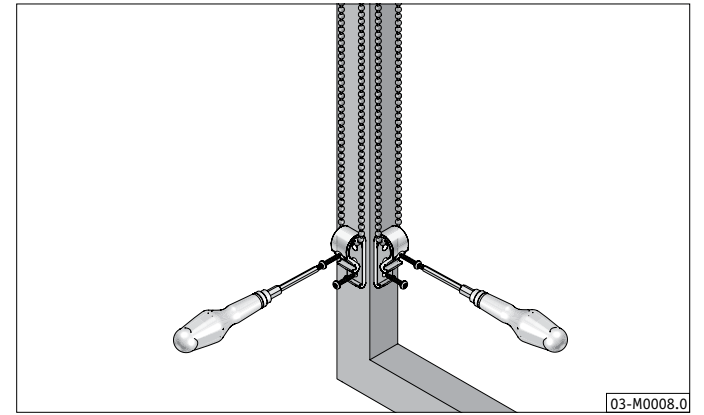
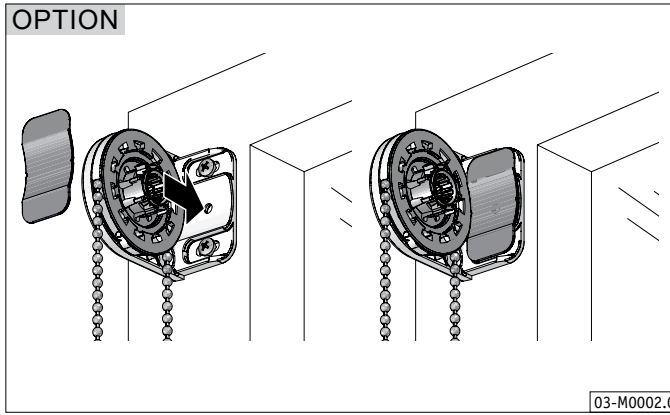
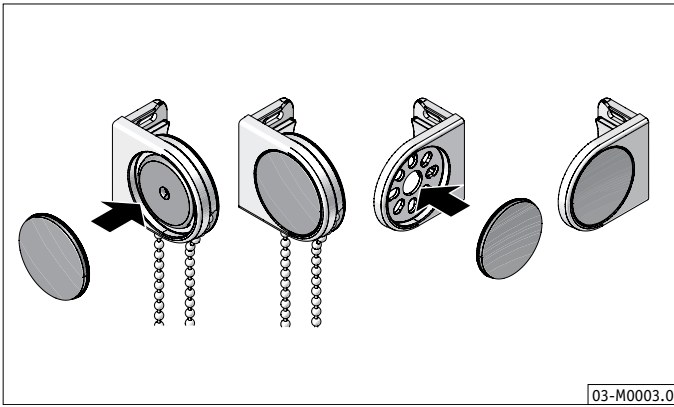
OPTION



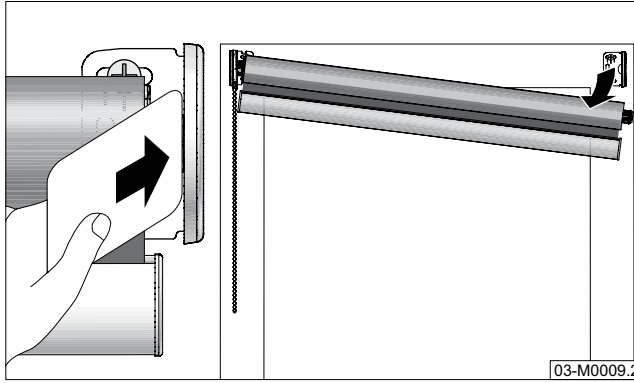
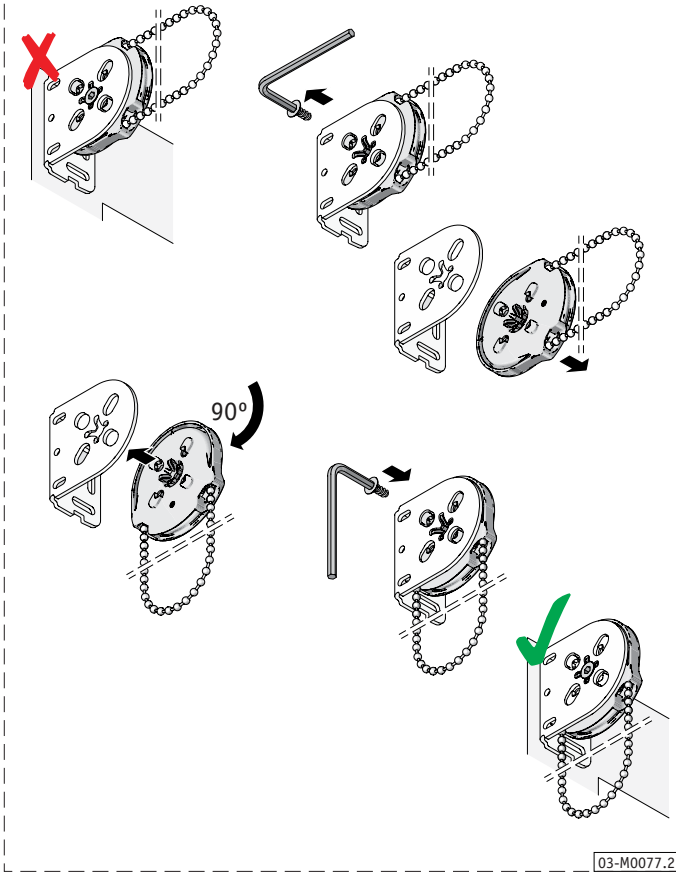
## Installation Instruction

Roller Blind EOS® 500 Xcel  
Plastic Brackets  
Chain Operated  
Type 11

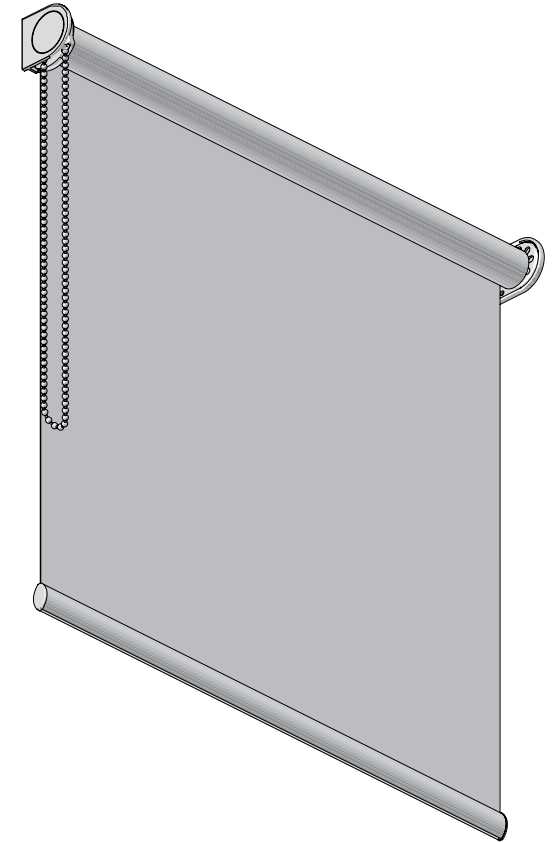


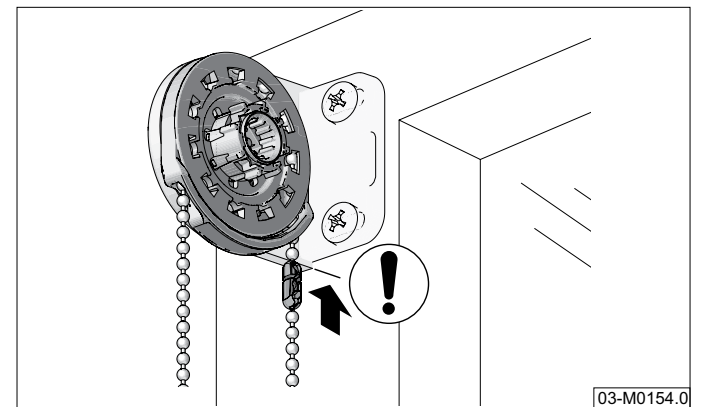
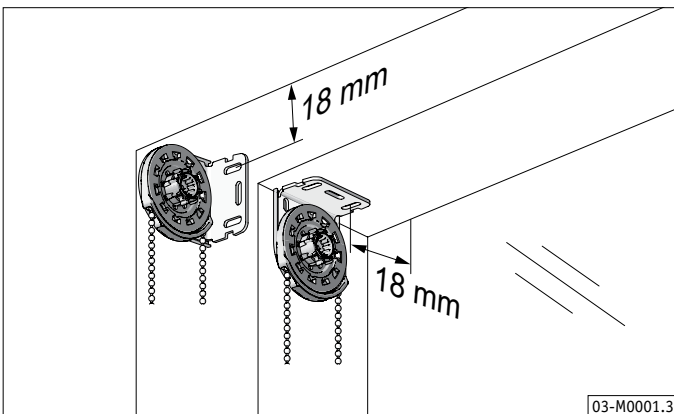
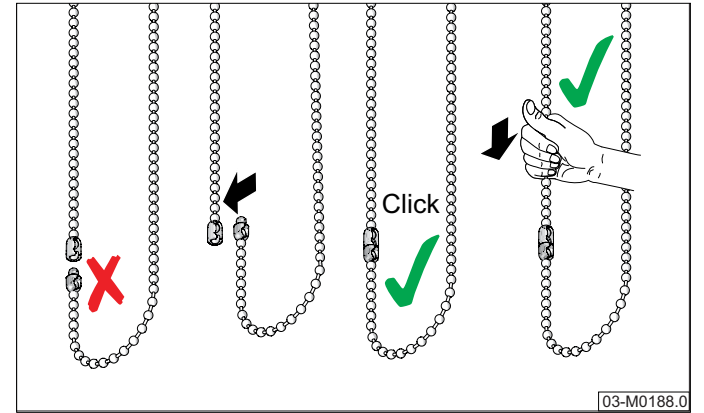
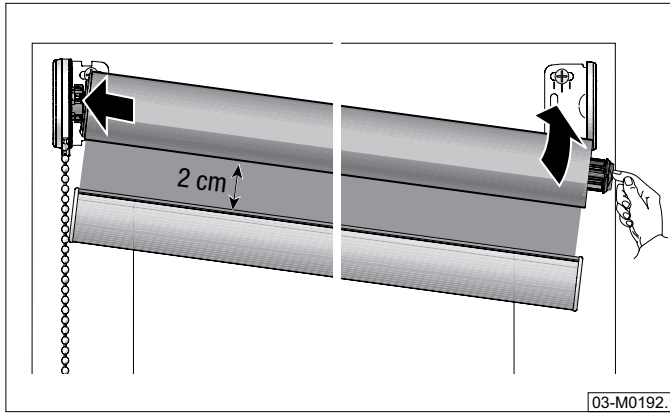
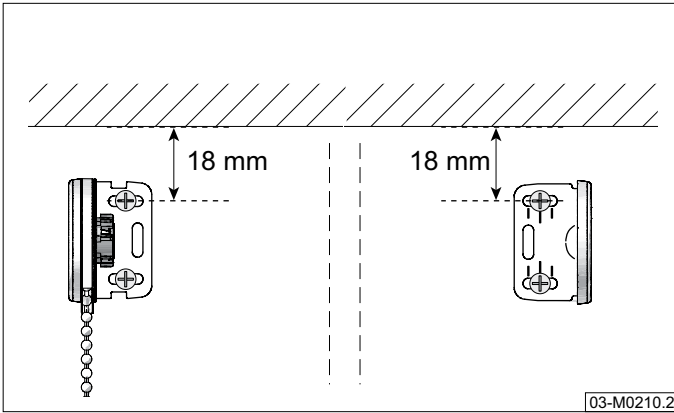
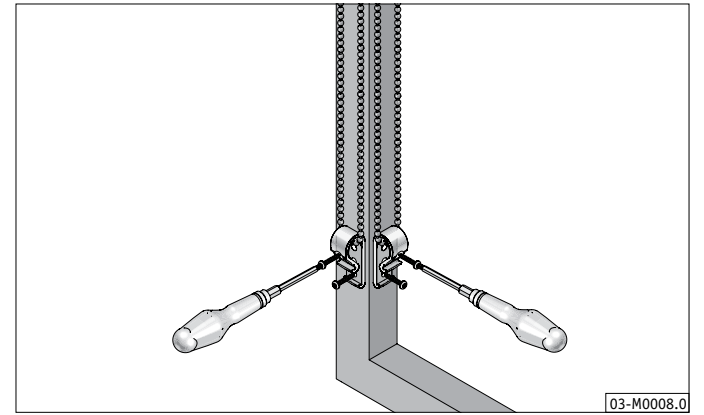
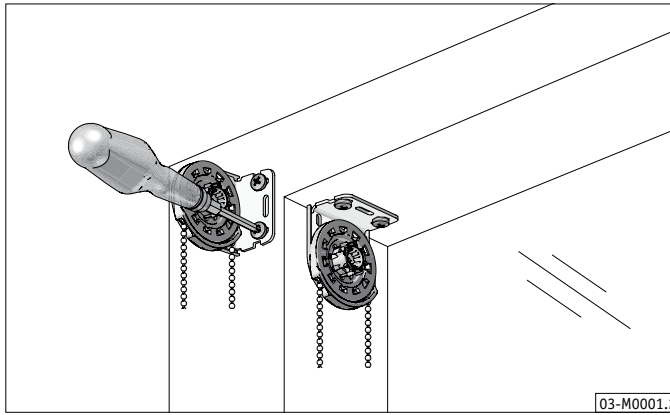
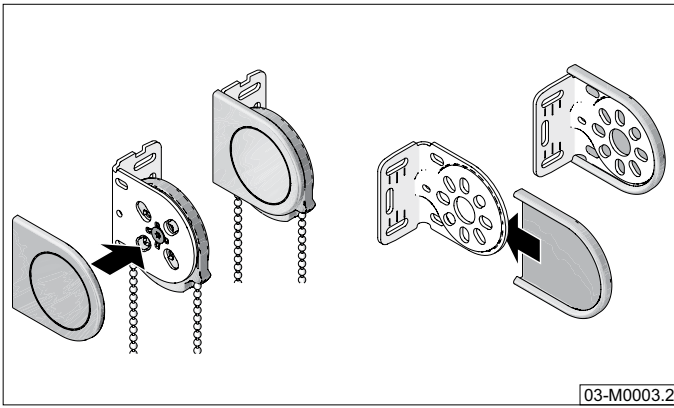


OPTION

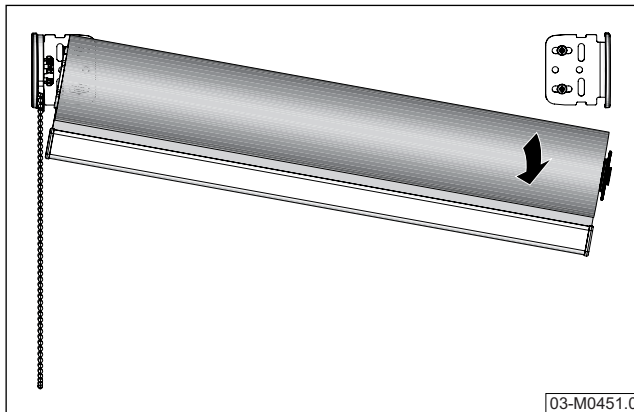
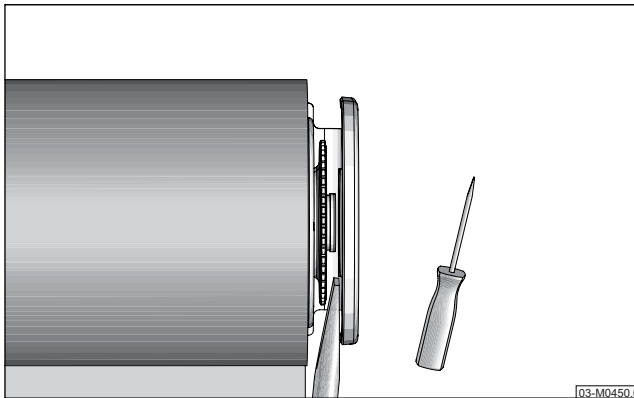
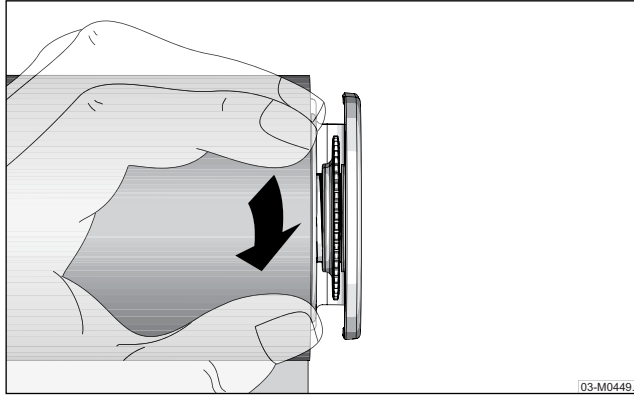
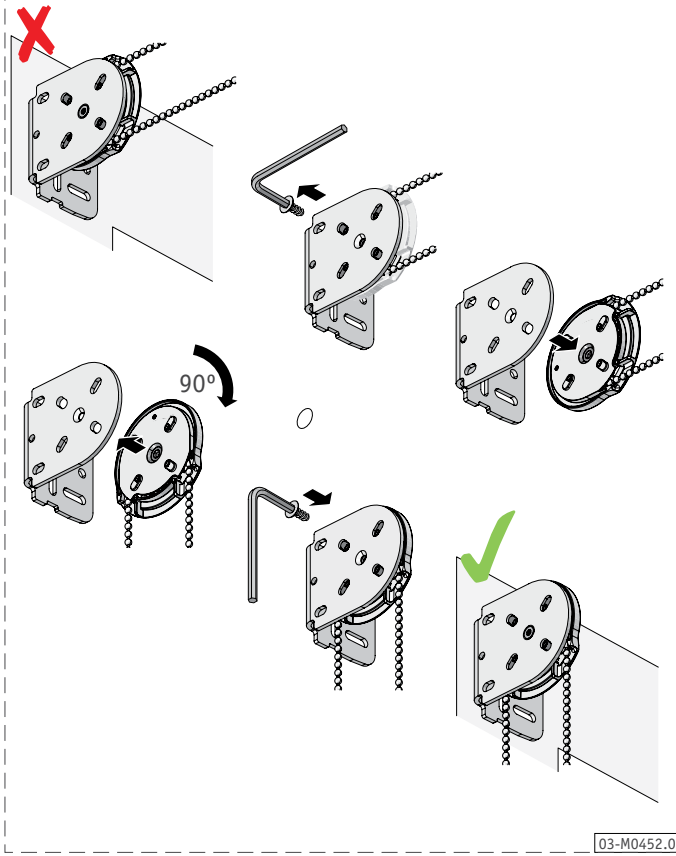


**i** **Installation Instruction**  
Roller Blind EOS® 500 Xcel  
Steel Brackets  
Chain Operated  
Type 11



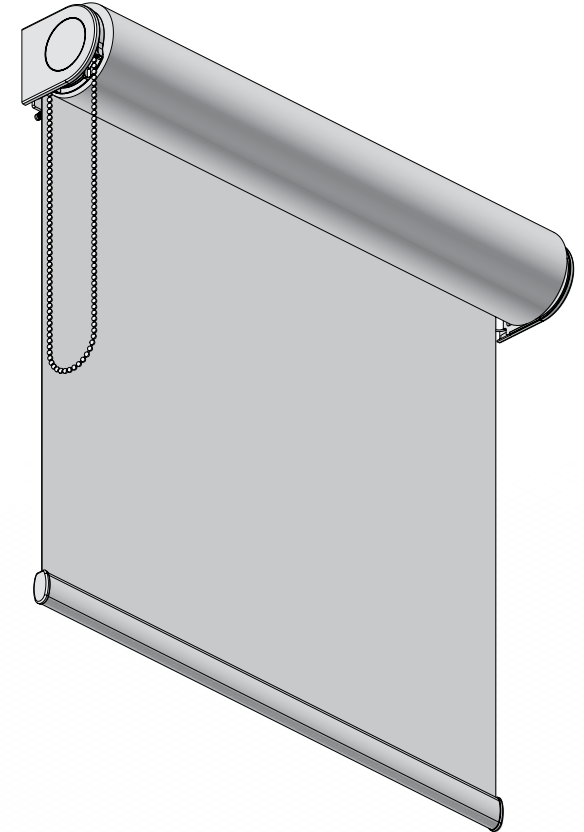


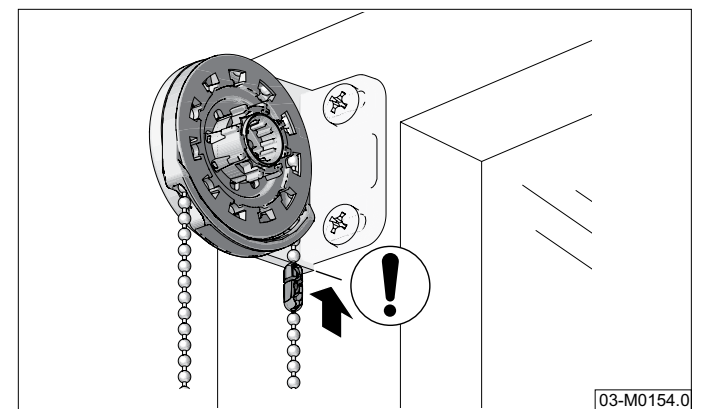
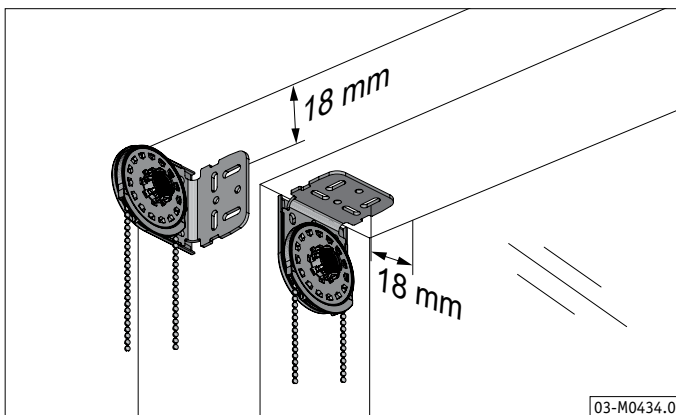
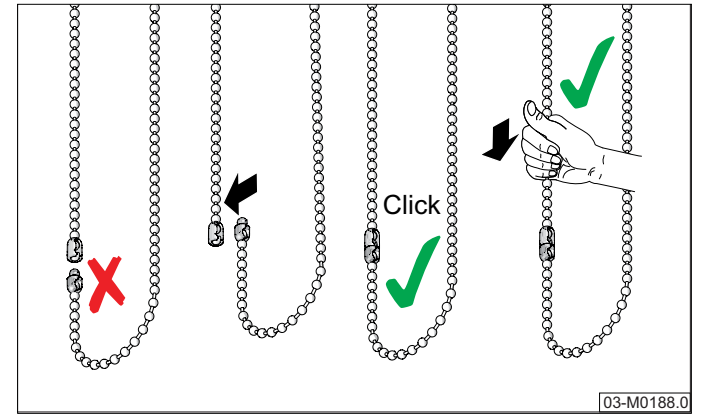
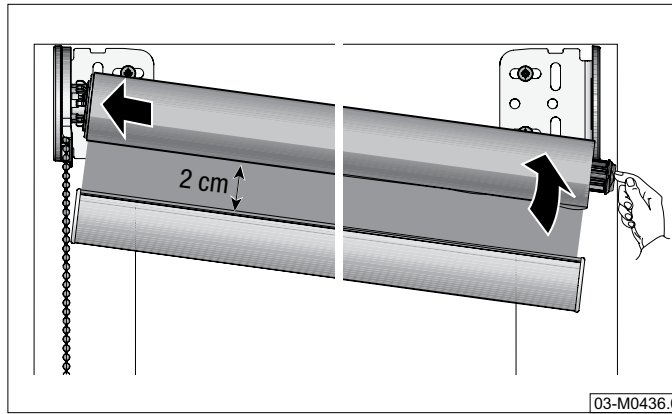
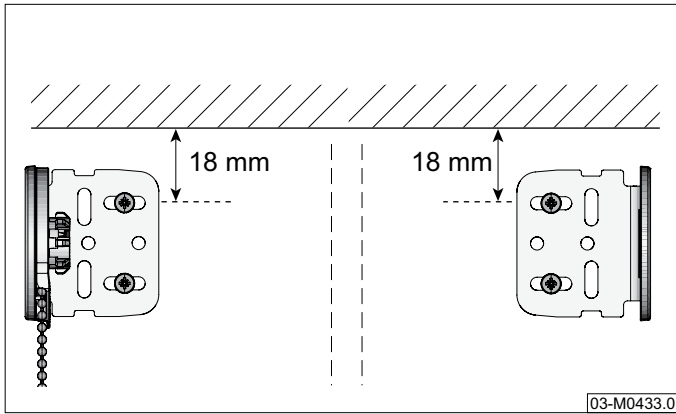
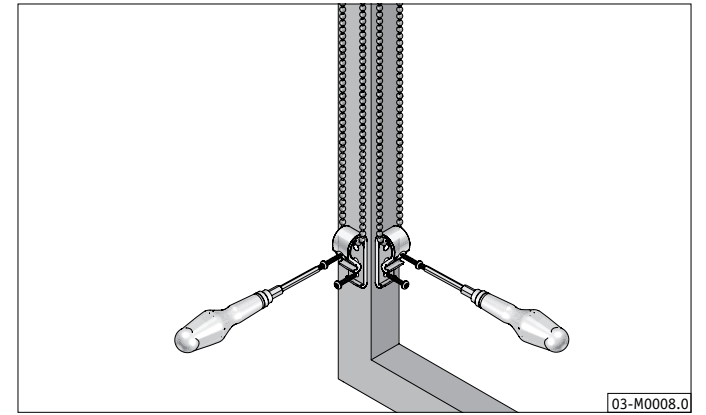
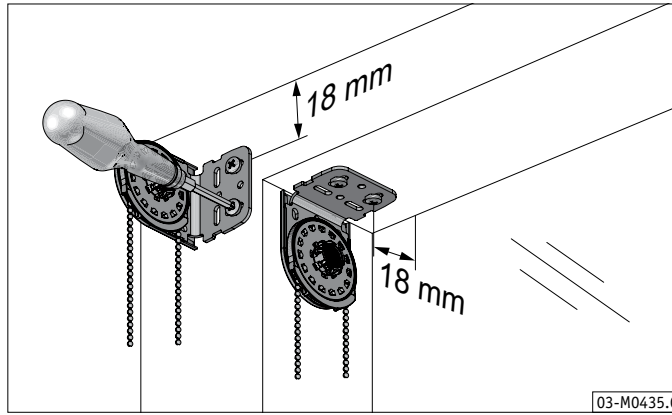
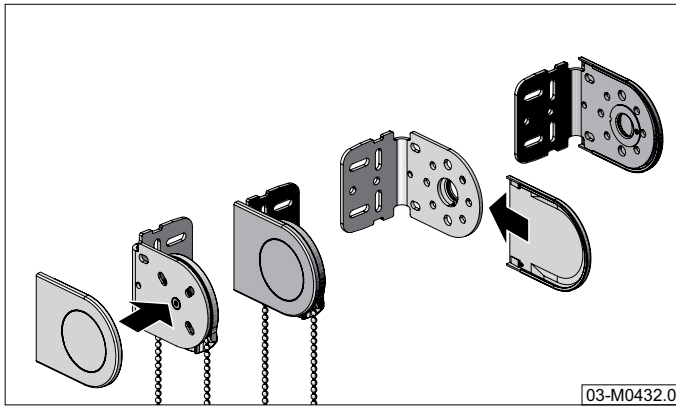
OPTION



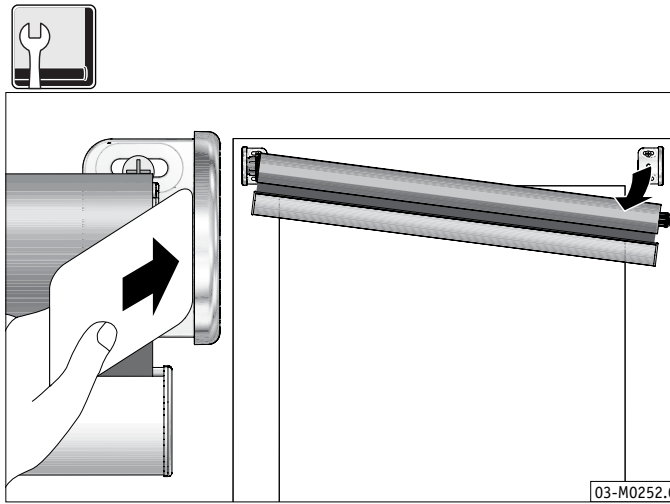
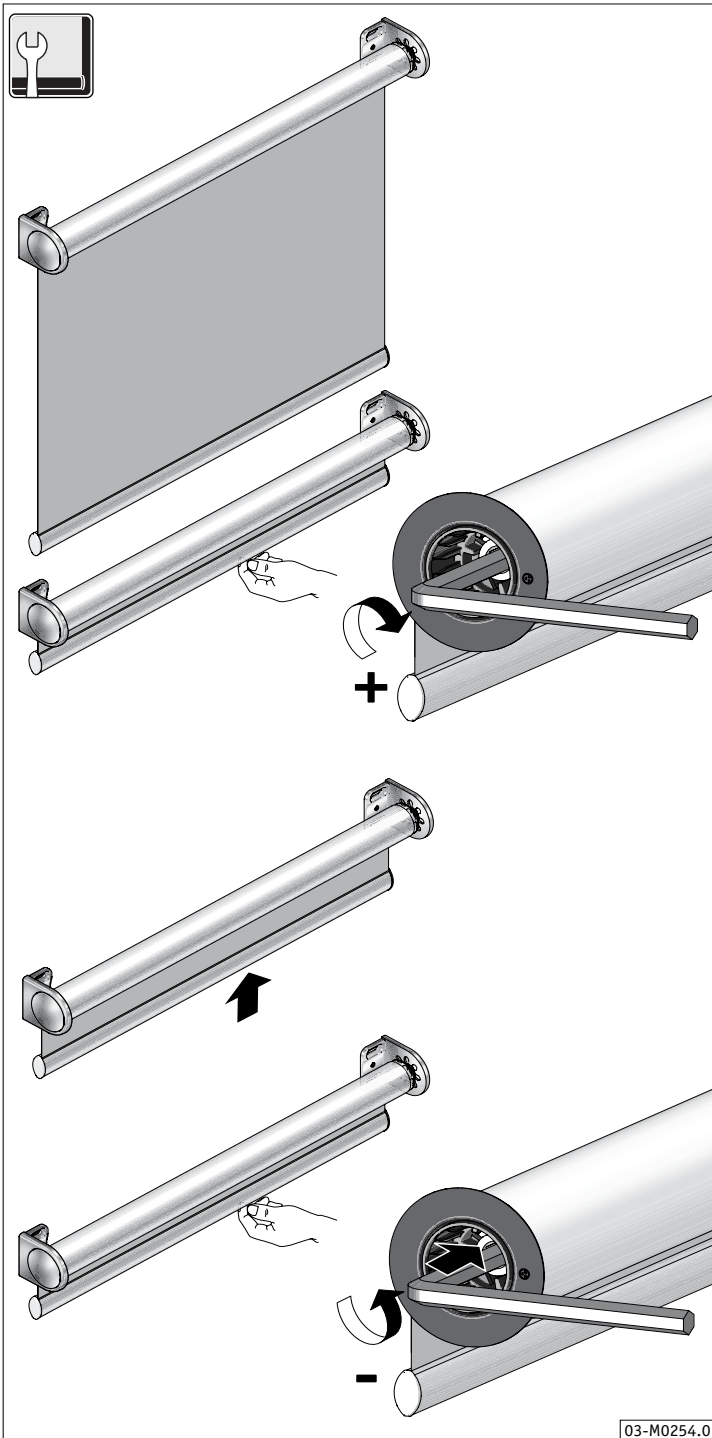
# Installation Instruction

Roller Blind EOS® 500 Xcel  
Steel Brackets  
Chain Operated  
Type 11-XL

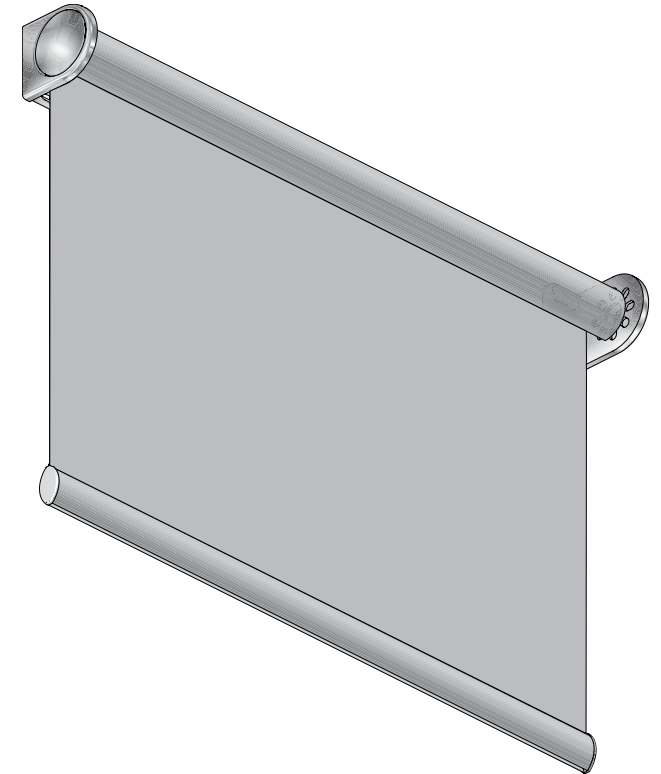




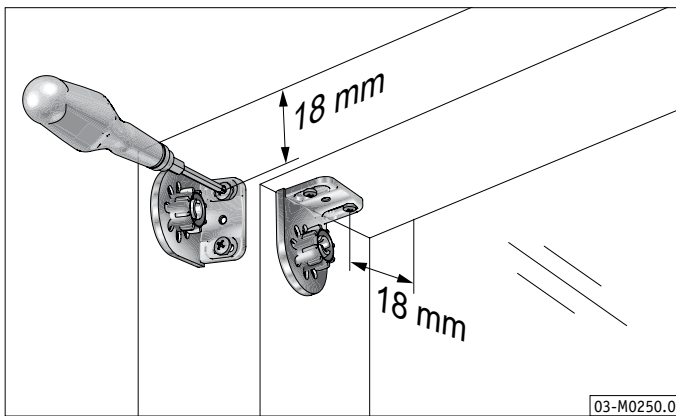
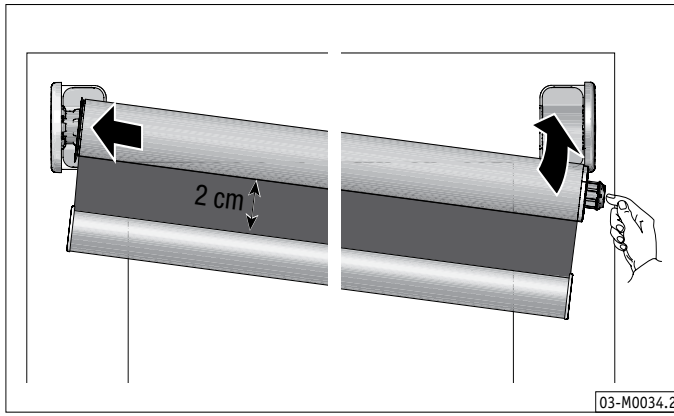
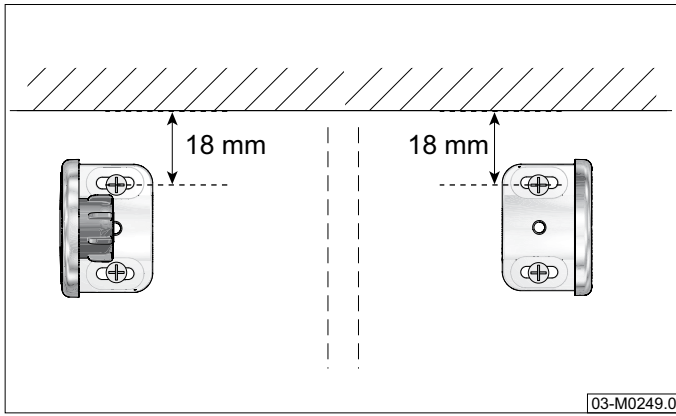
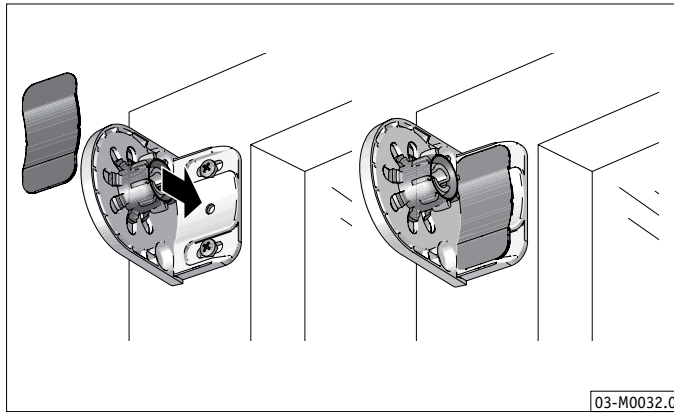
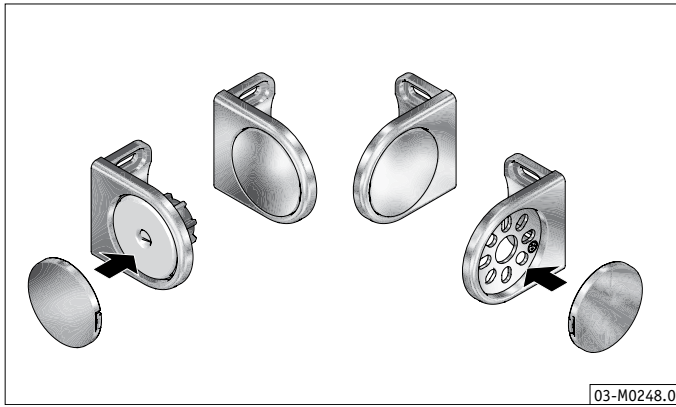


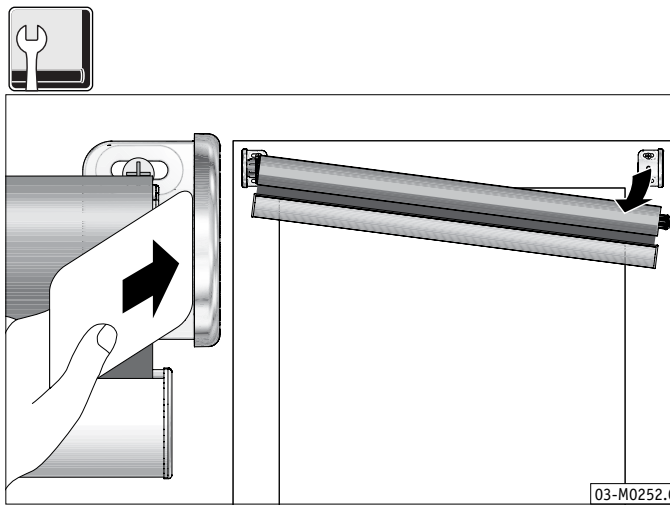
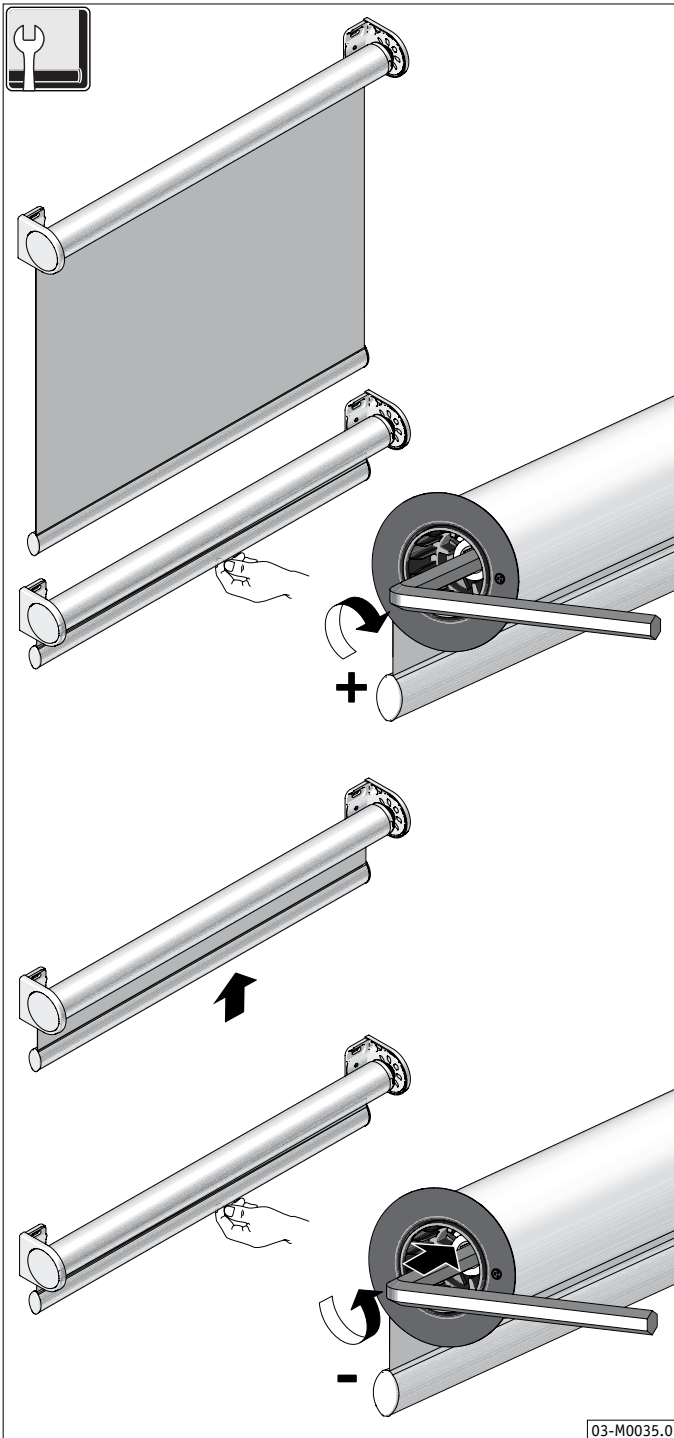


**i** **Installation Instruction**  
Roller Blind EOS® 500 Xcel  
Aluminium Brackets  
Lite Rise® Operated  
Type 14

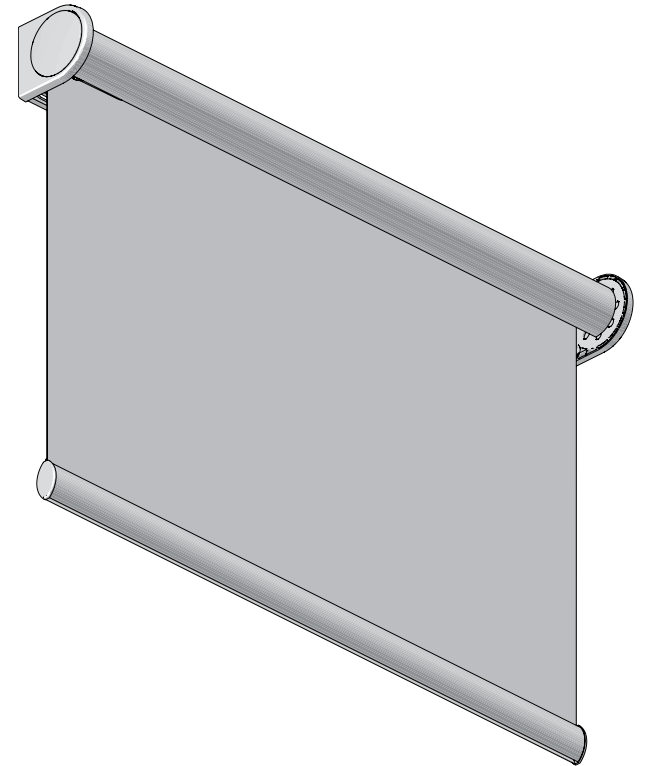


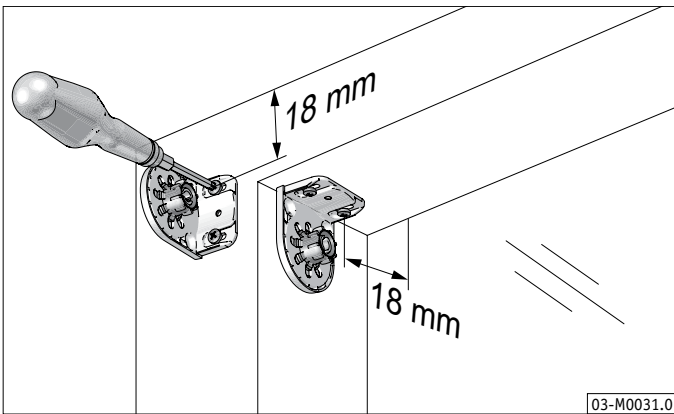
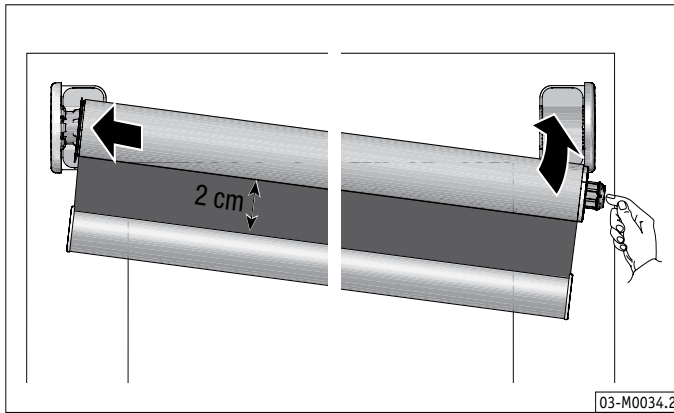
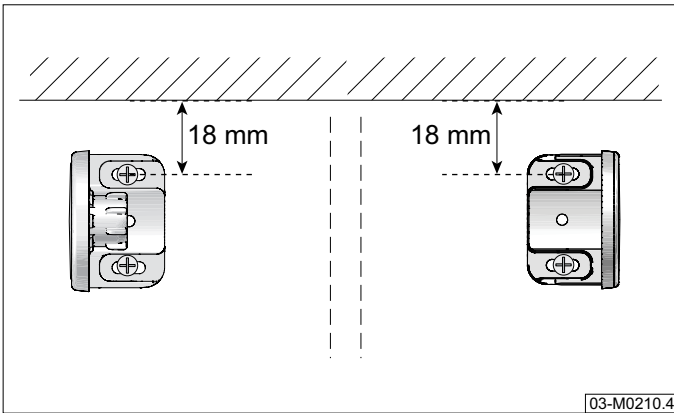
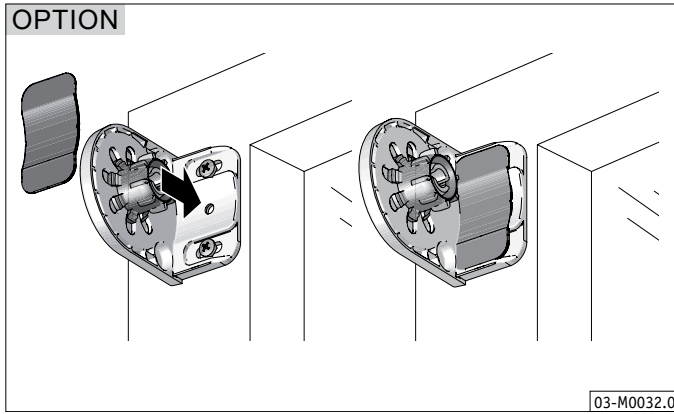
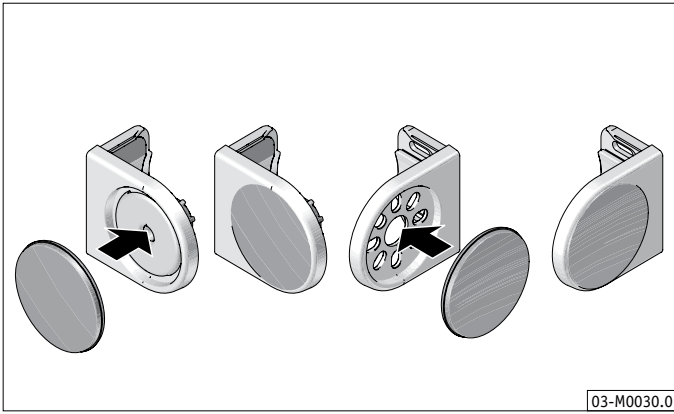


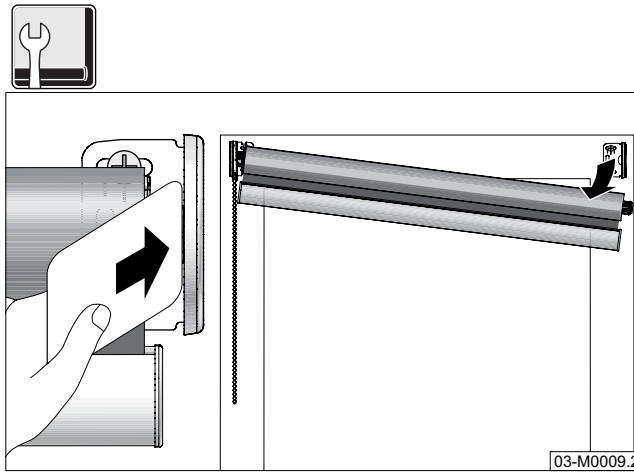
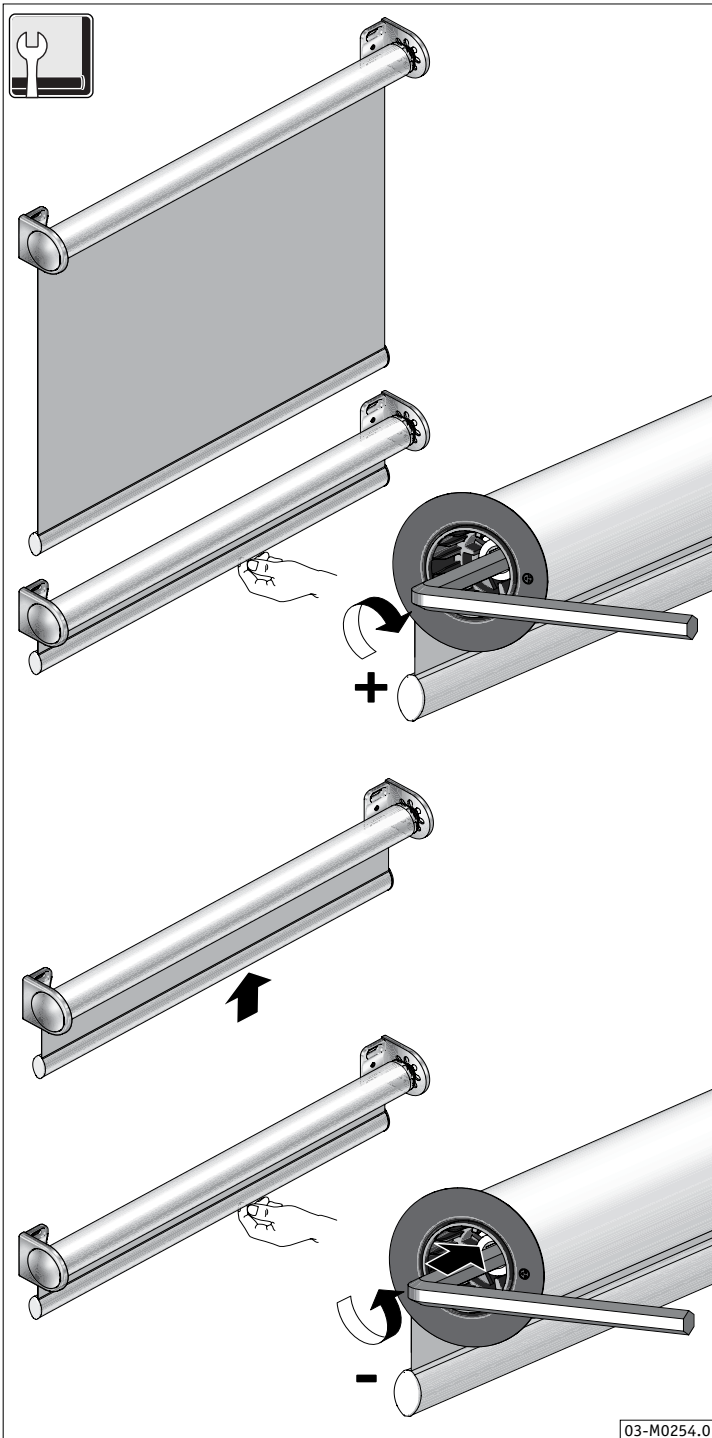




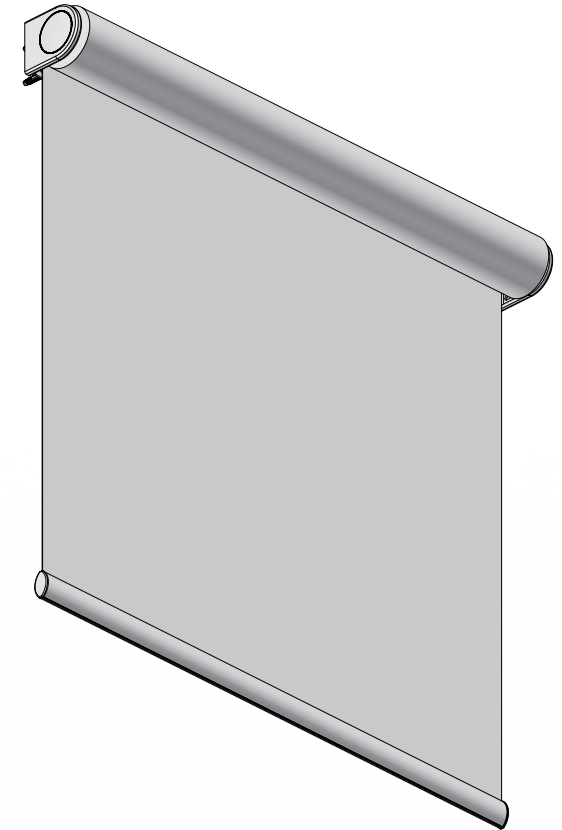
**i** **Installation Instruction**  
Roller Blind EOS® 500 Xcel  
Plastic Brackets  
Lite Rise® Operated  
Type 14

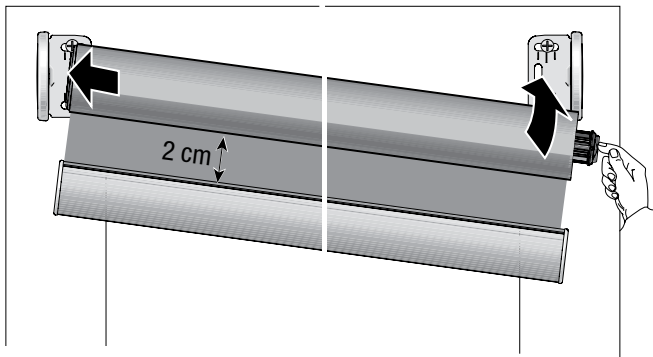
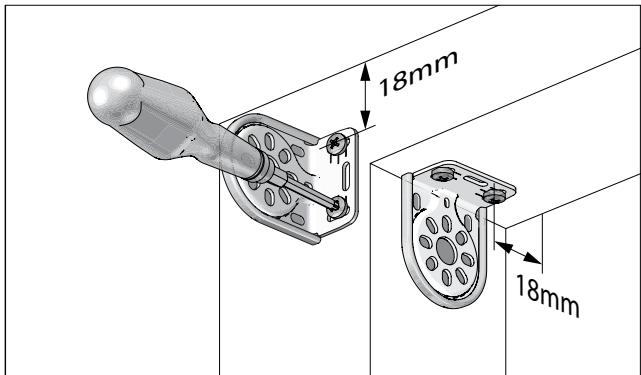
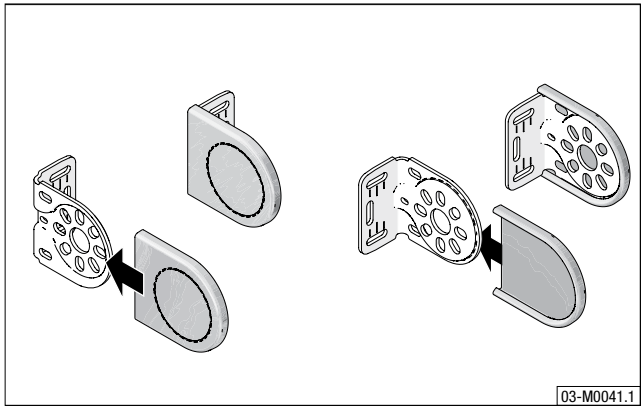


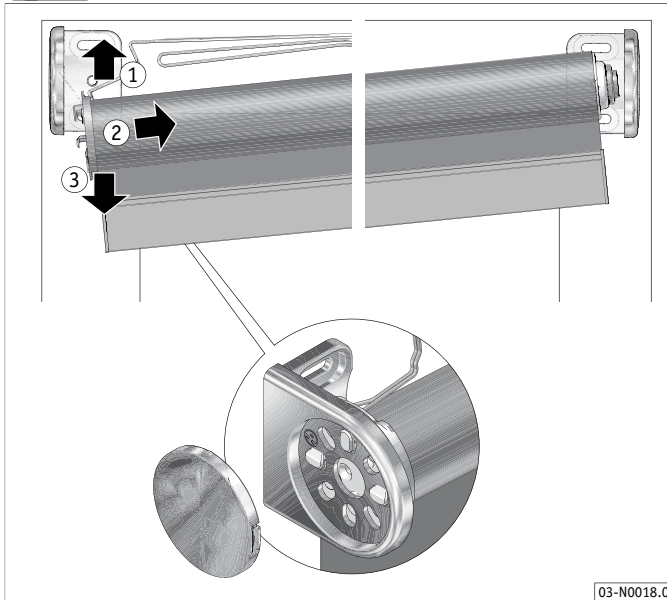




**i** **Installation Instruction**  
Roller Blind EOS® 500 Xcel  
Steel Brackets  
Lite Rise® Operated  
Type 14

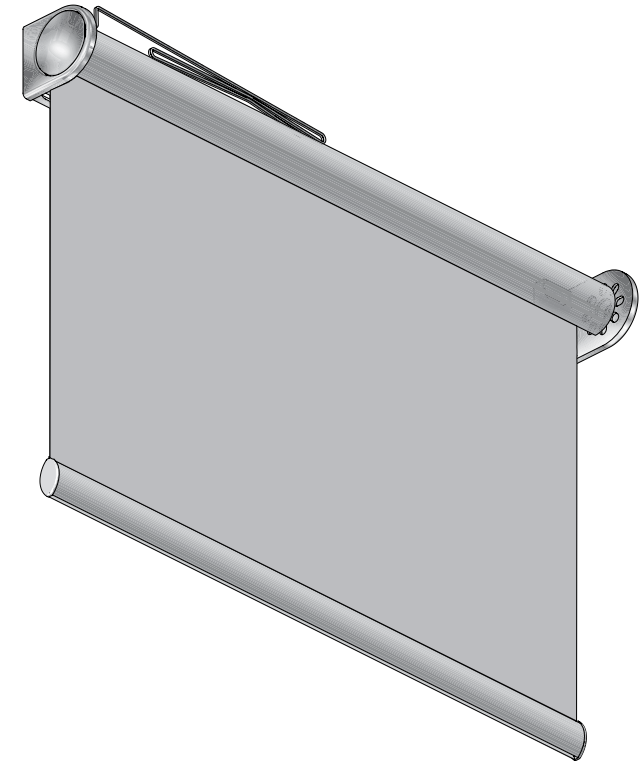


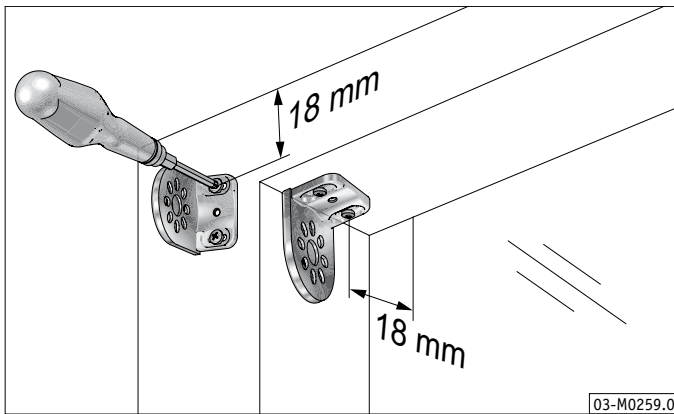
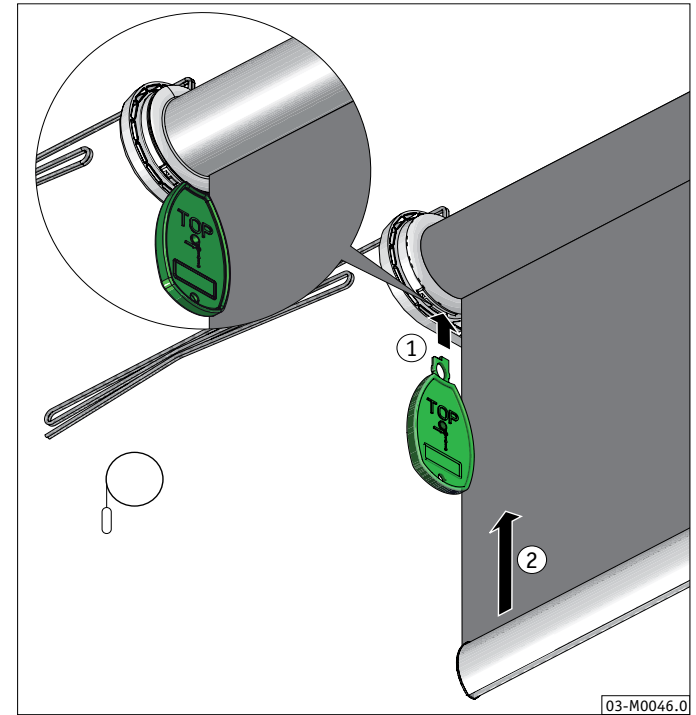
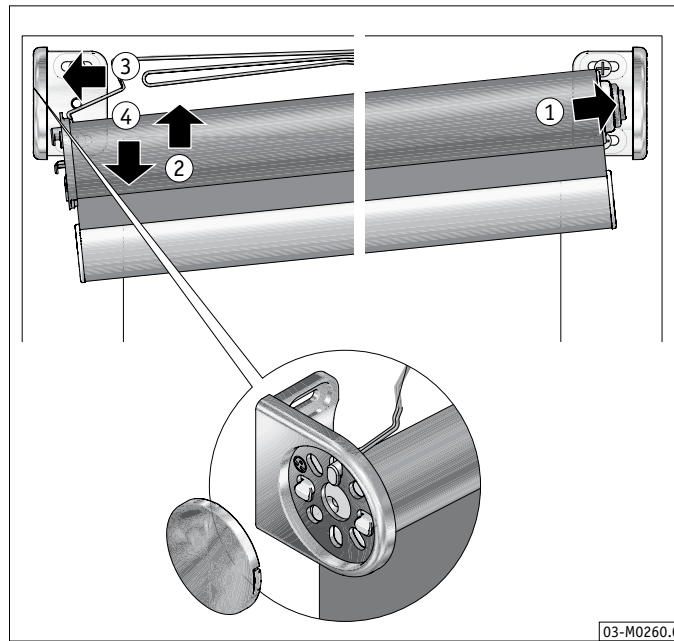
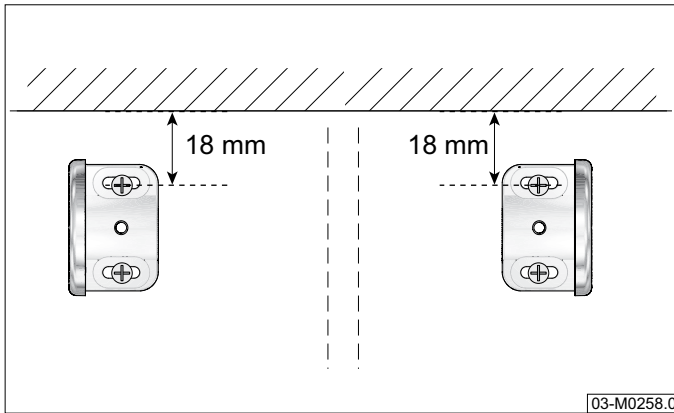
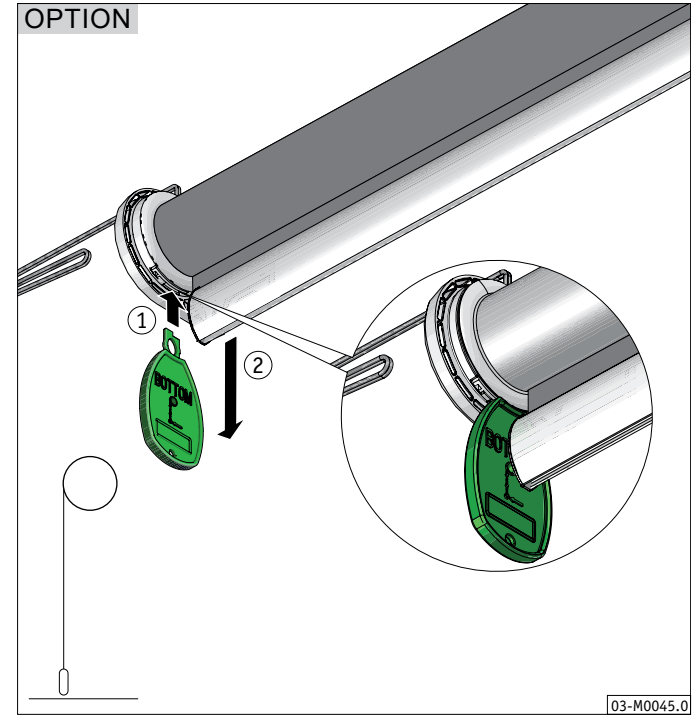
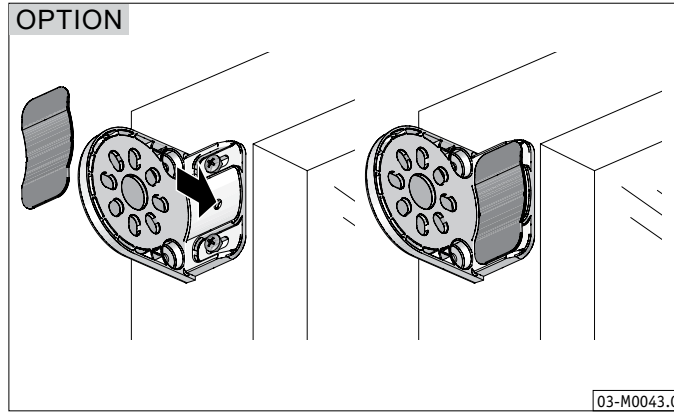
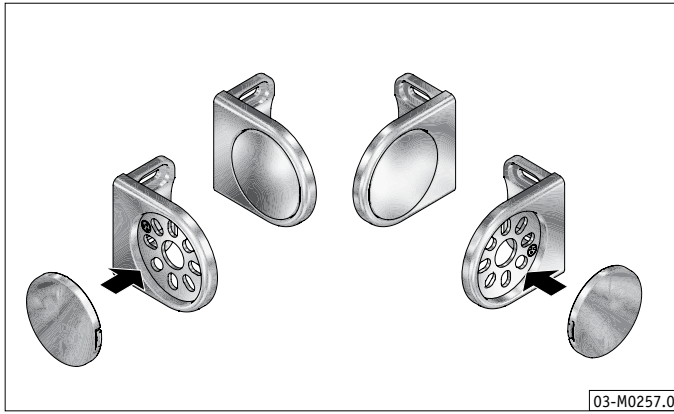


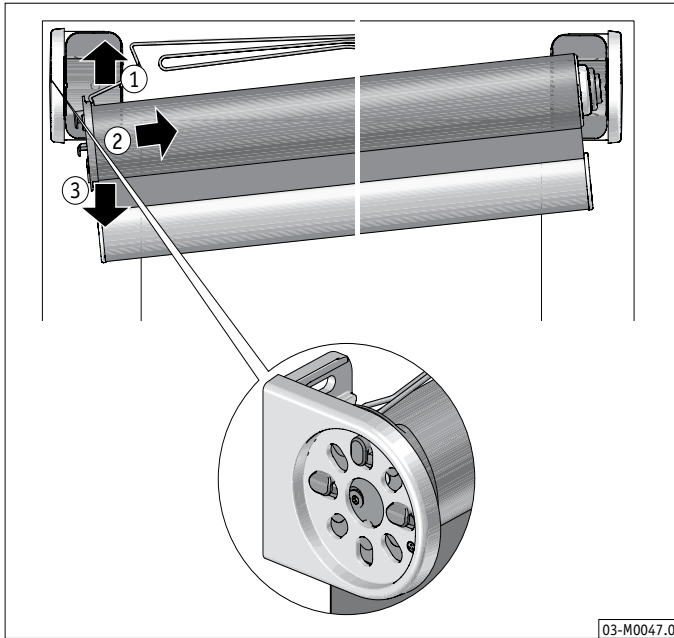


03-N0018.0

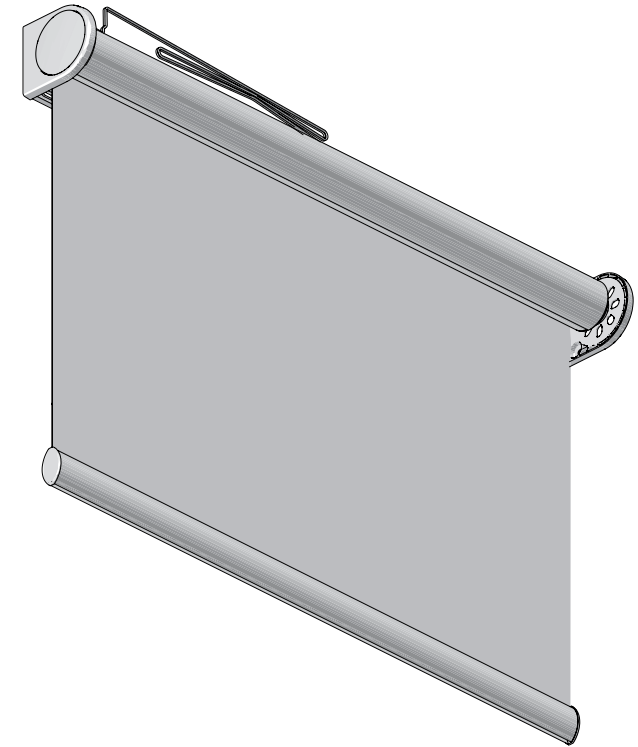
**i** **Installation Instruction**  
Roller Blind EOS® 500 Xcel  
Aluminium Brackets  
M25T Motor Operated  
Type 16



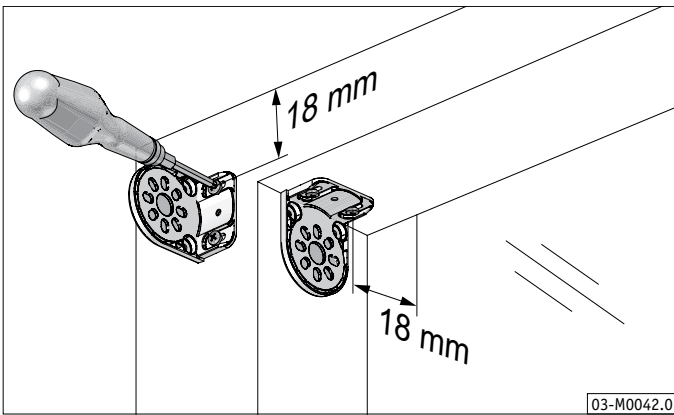
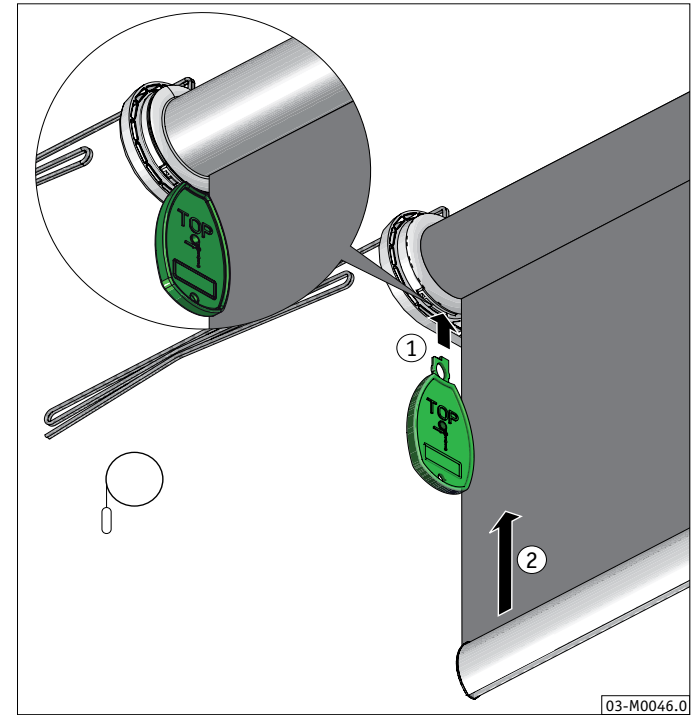
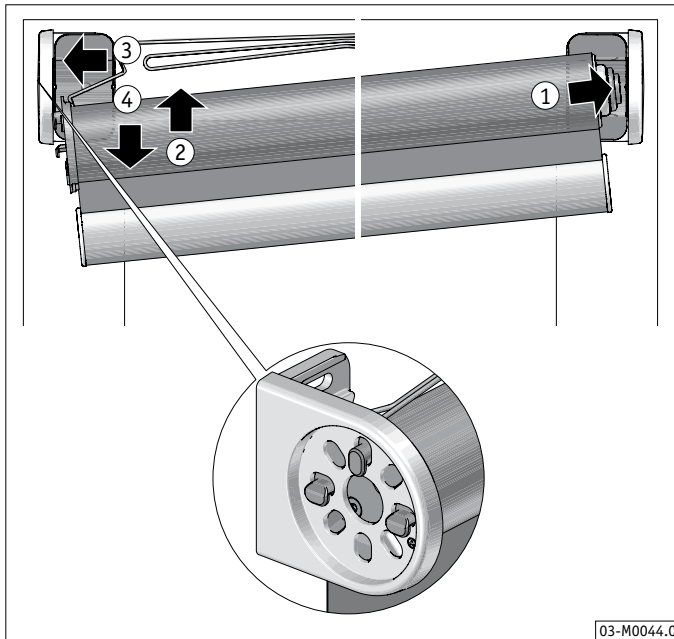
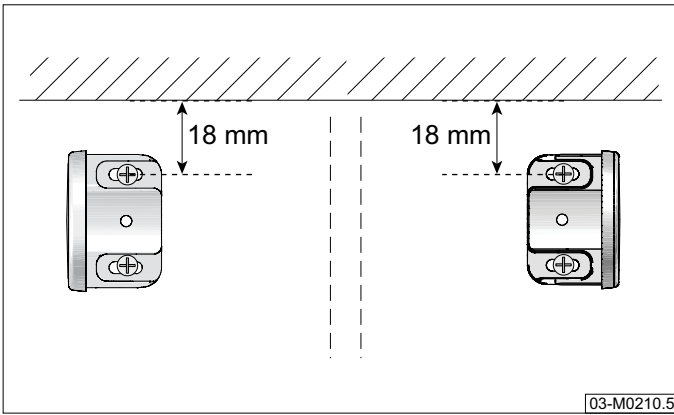
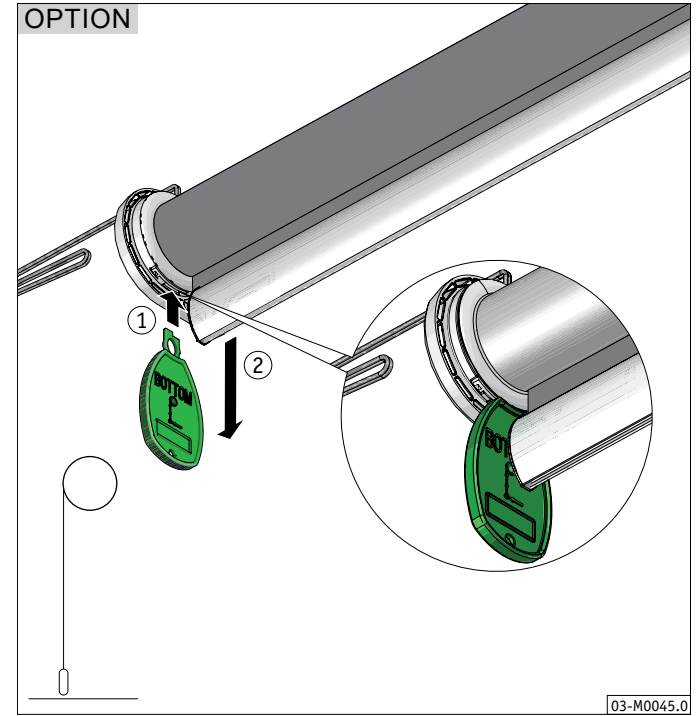
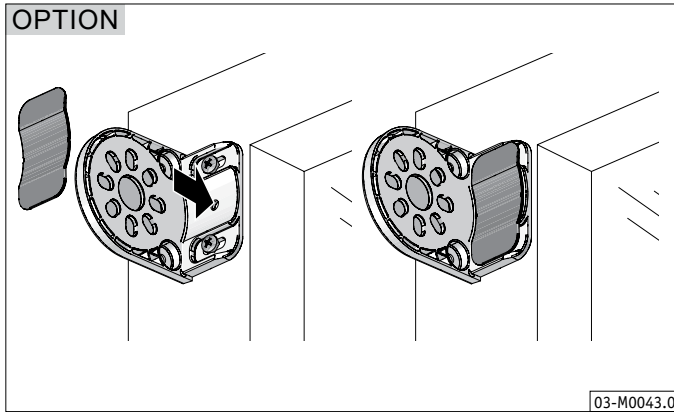
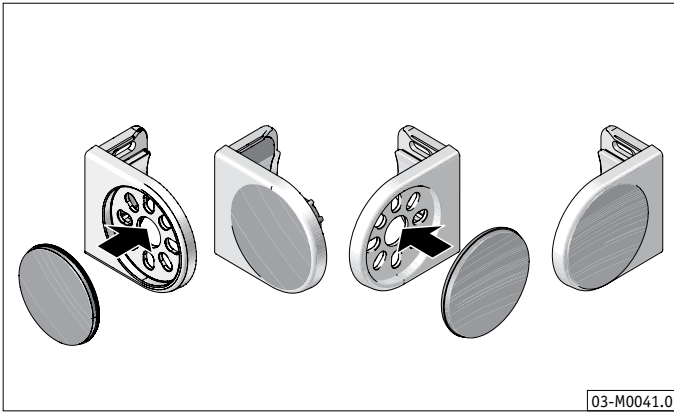


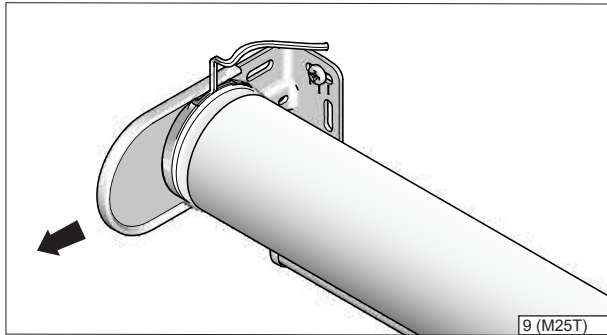


**i** **Installation Instruction**  
Roller Blind EOS® 500 Xcel  
Plastic Brackets  
M25T Motor Operated  
Type 16

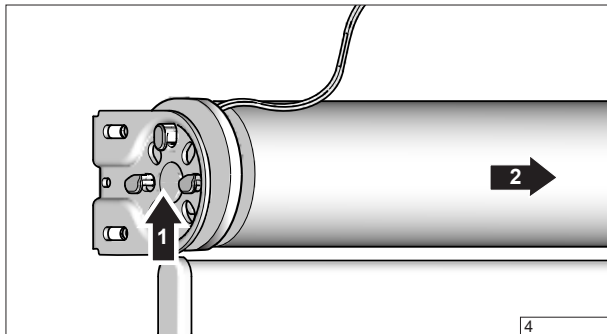




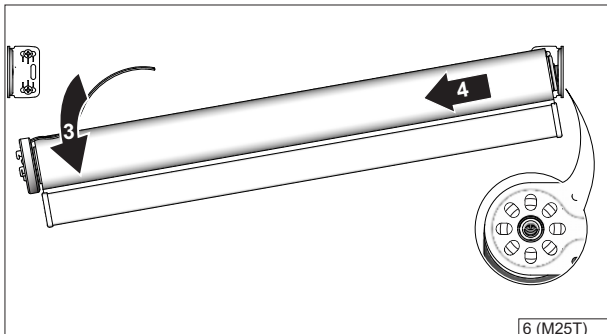




9 (M25T)



4

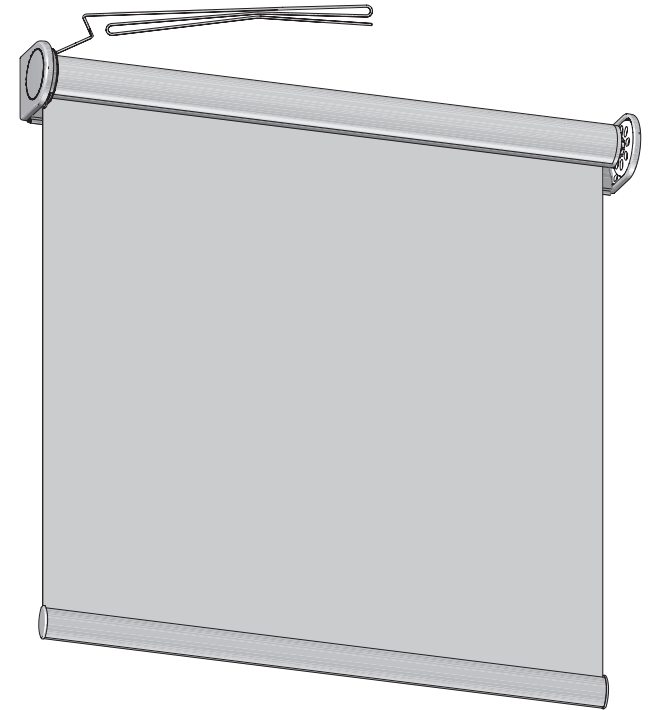


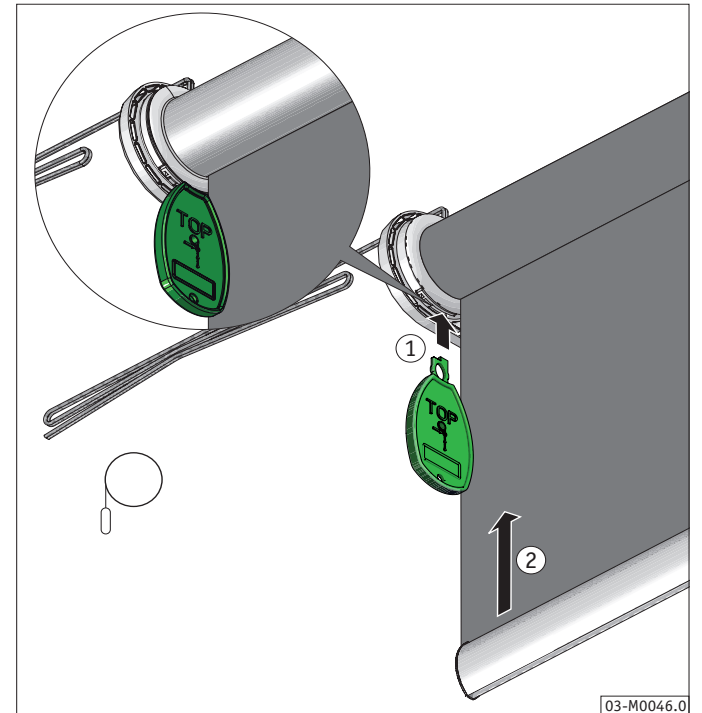
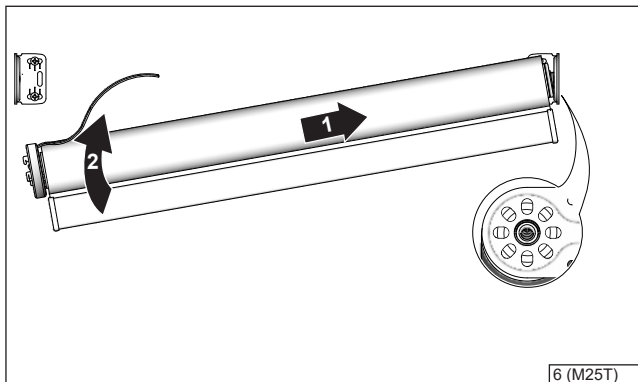
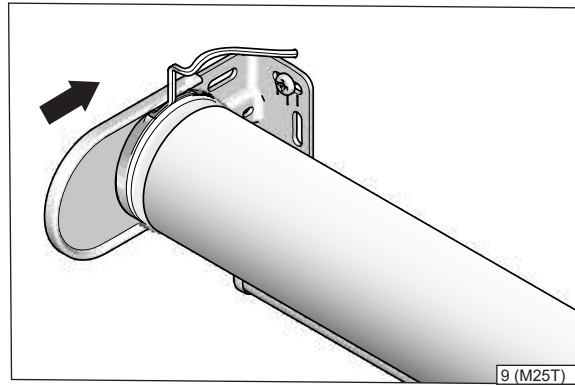
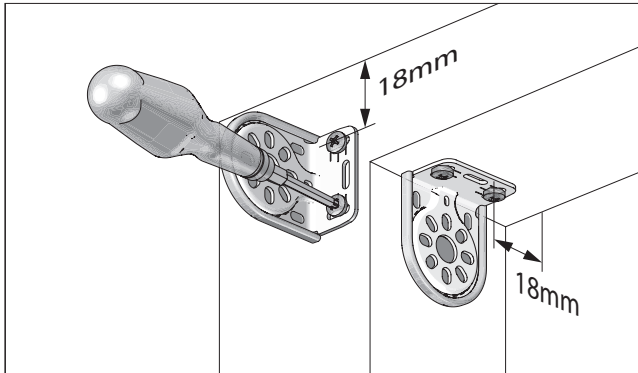
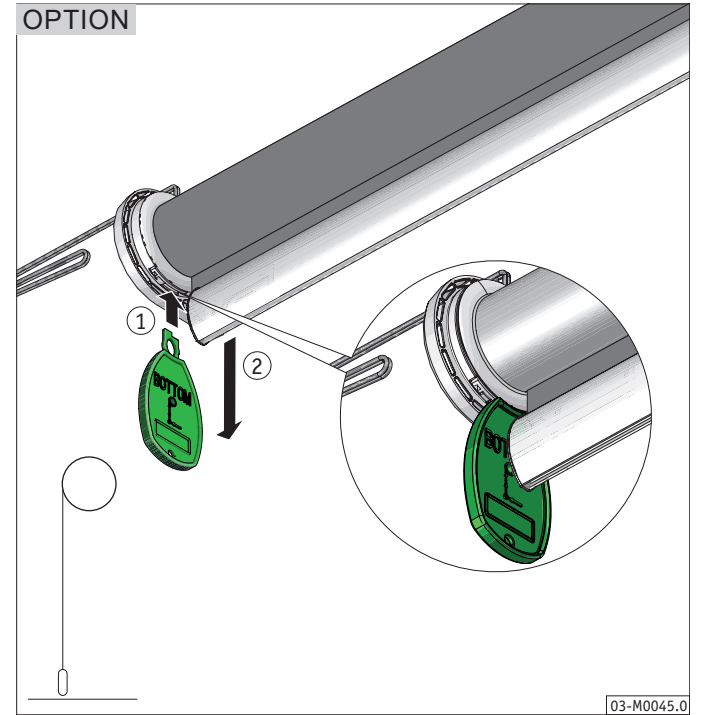
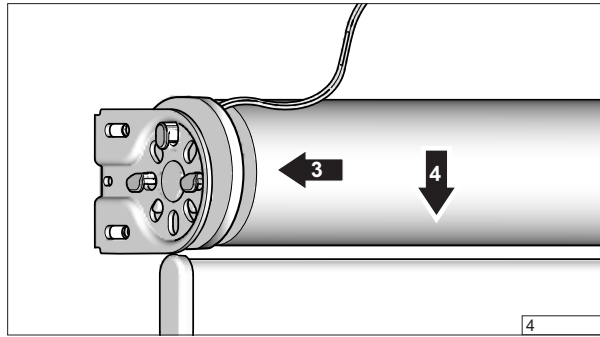
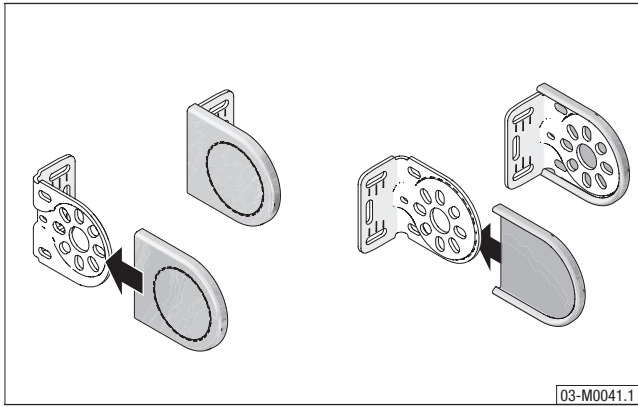
6 (M25T)

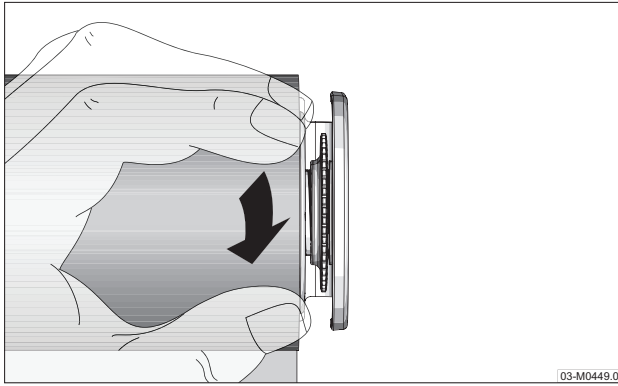


# Installation Instruction

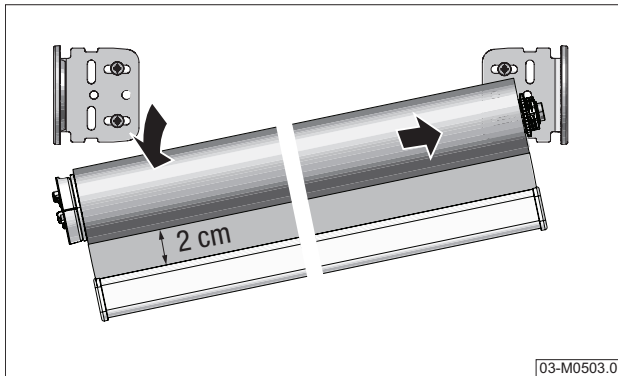
Roller Blind EOS® 500 Xcel  
Steel Brackets  
M25T Motor Operated  
Type 16





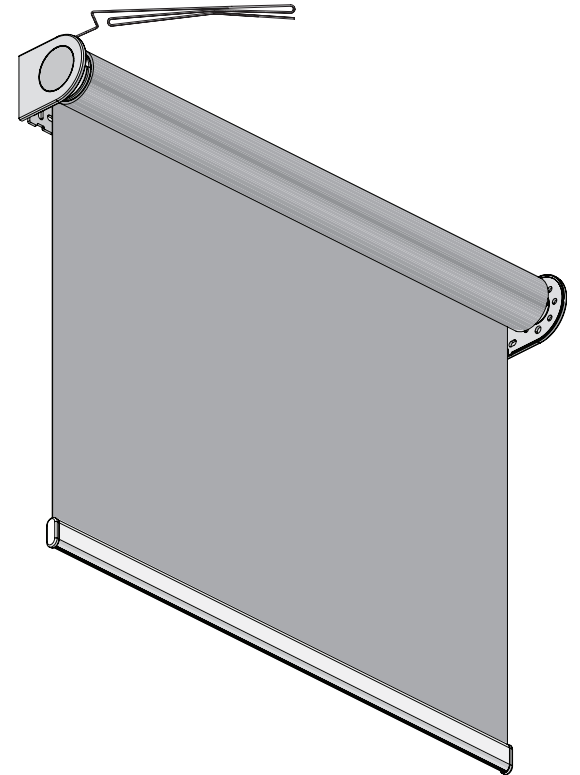


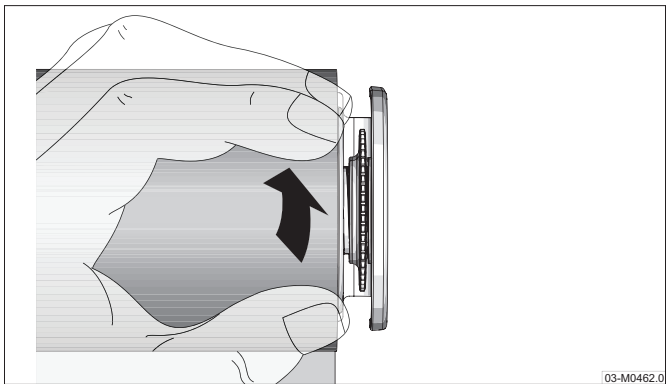
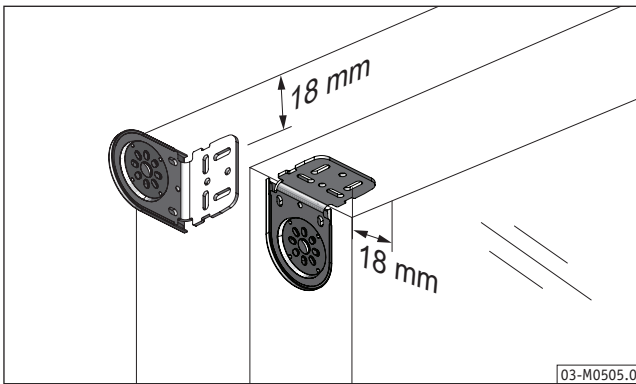
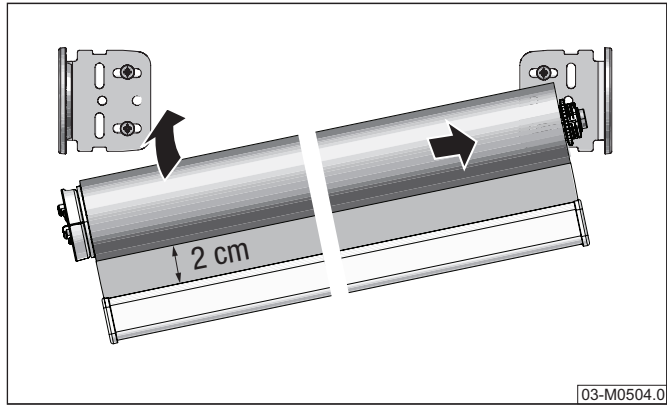
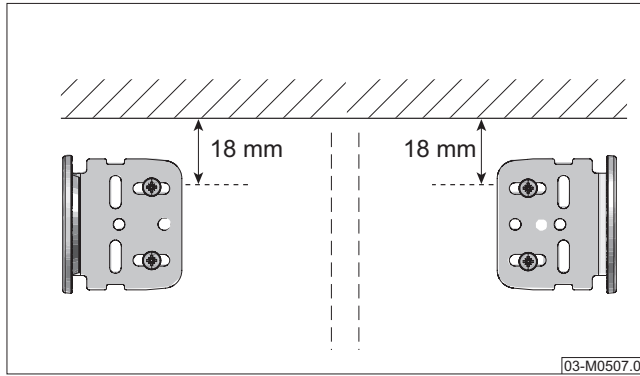
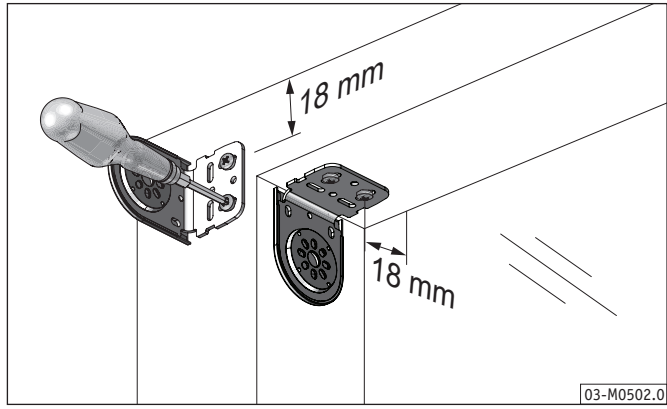
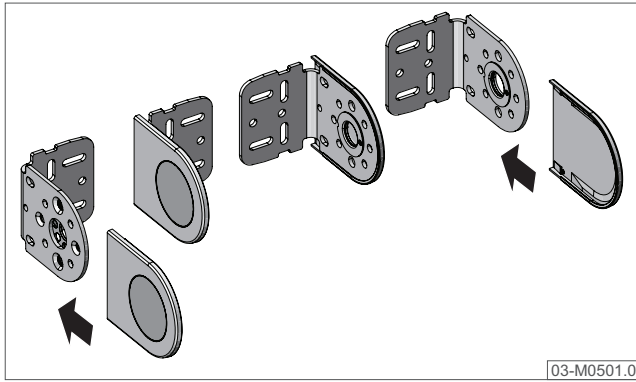
03-M0449.0

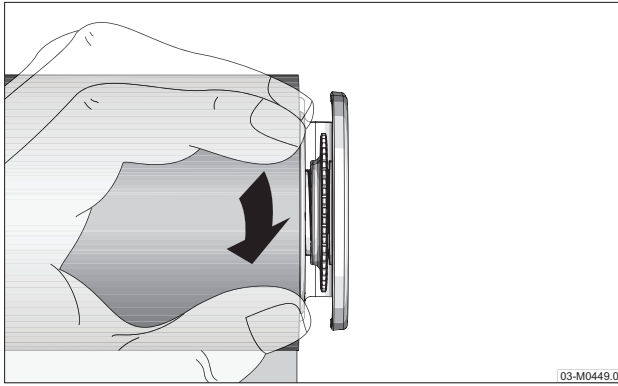


03-M0503.0

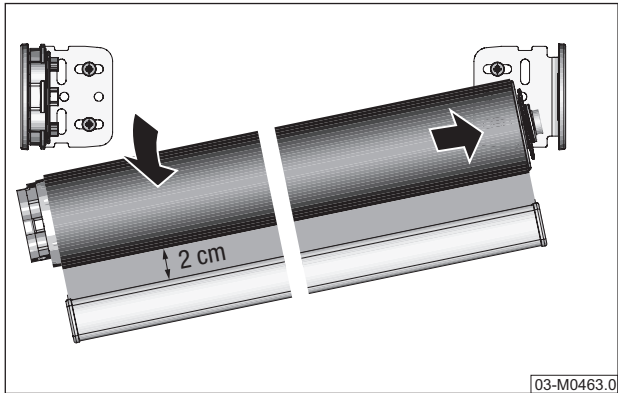
**i** **Installation Instruction**  
Roller Blind EOS® 500 Xcel  
Steel Brackets  
M40T Motor Operated  
Type 16-XL





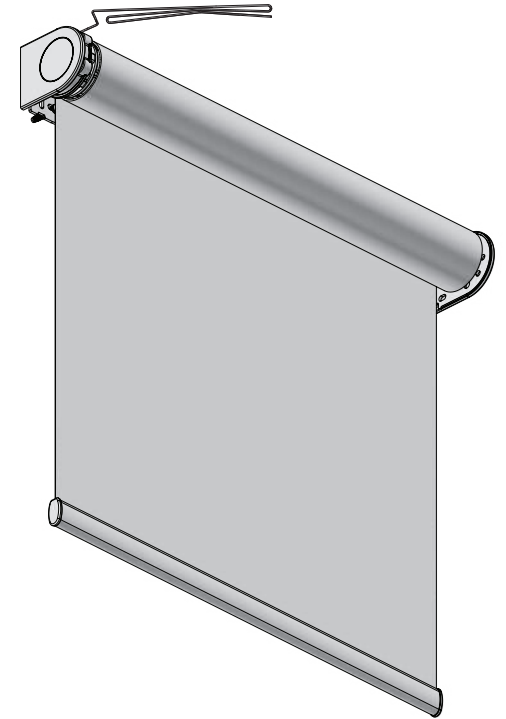


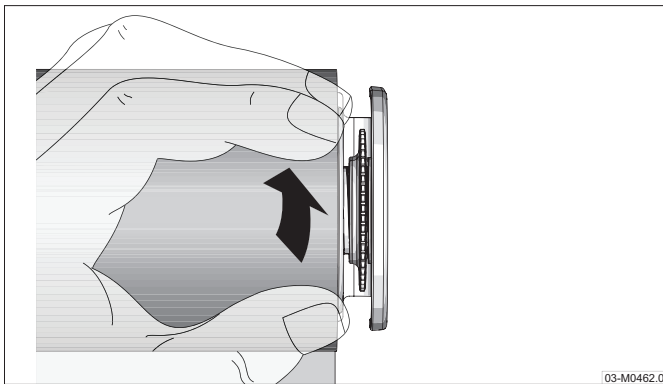
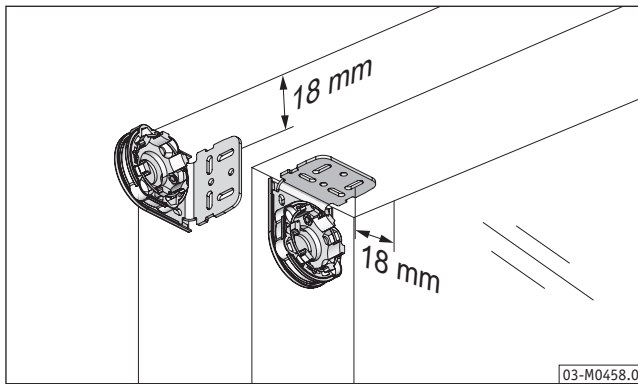
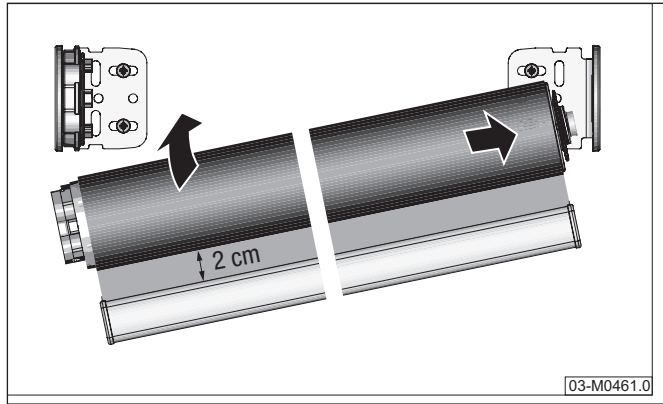
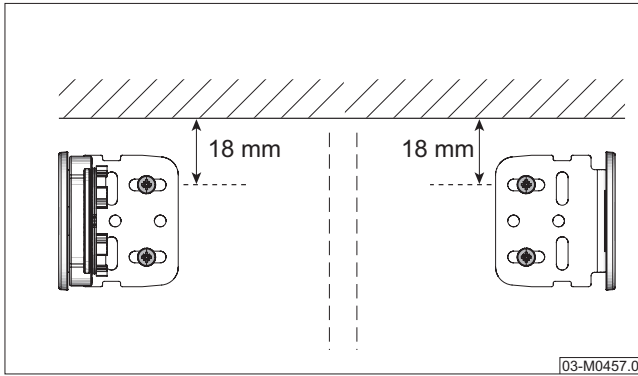
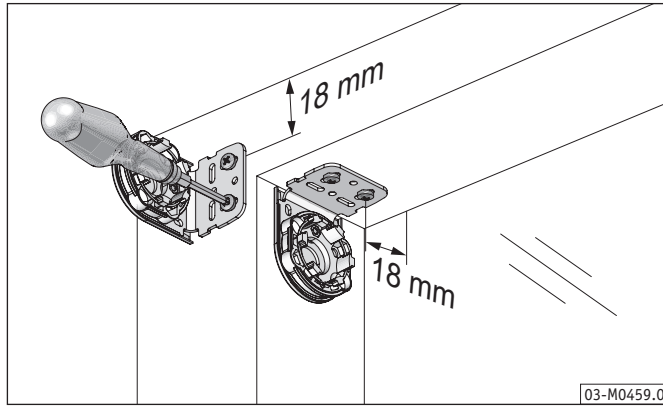
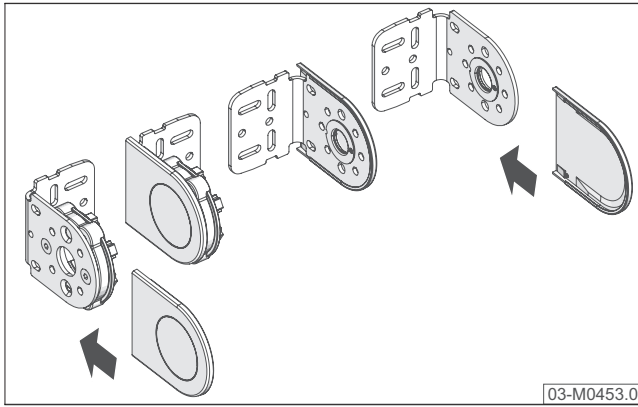
03-M0449.0

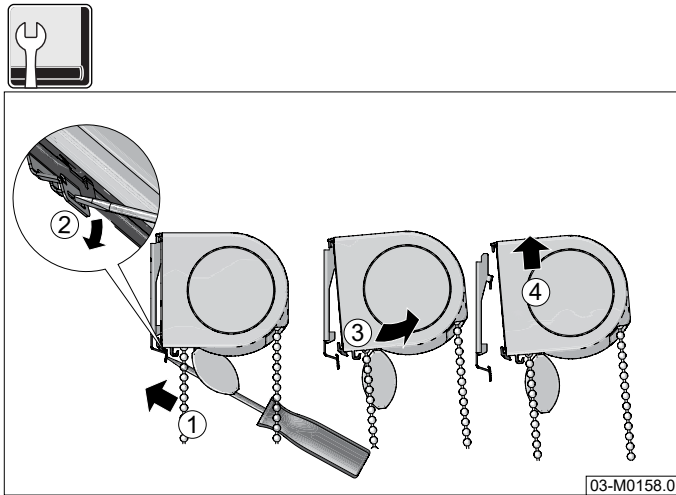
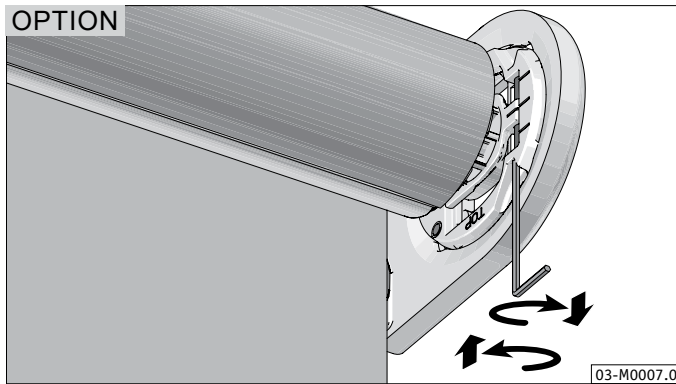
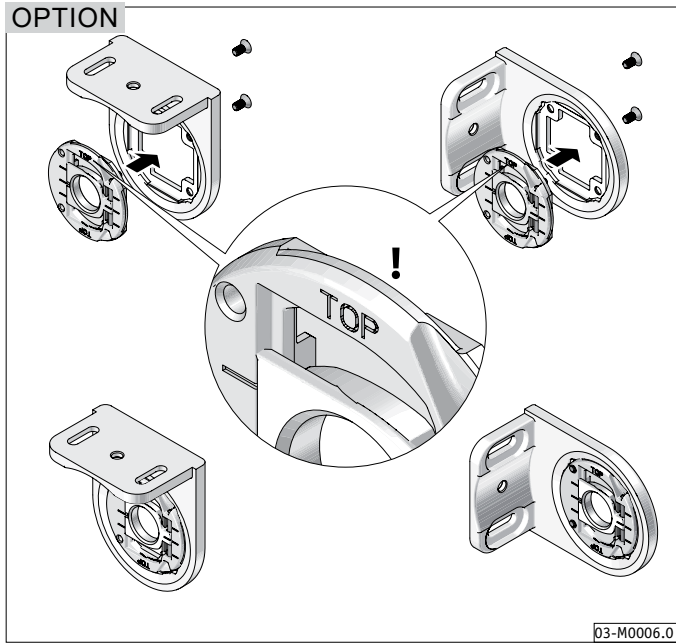
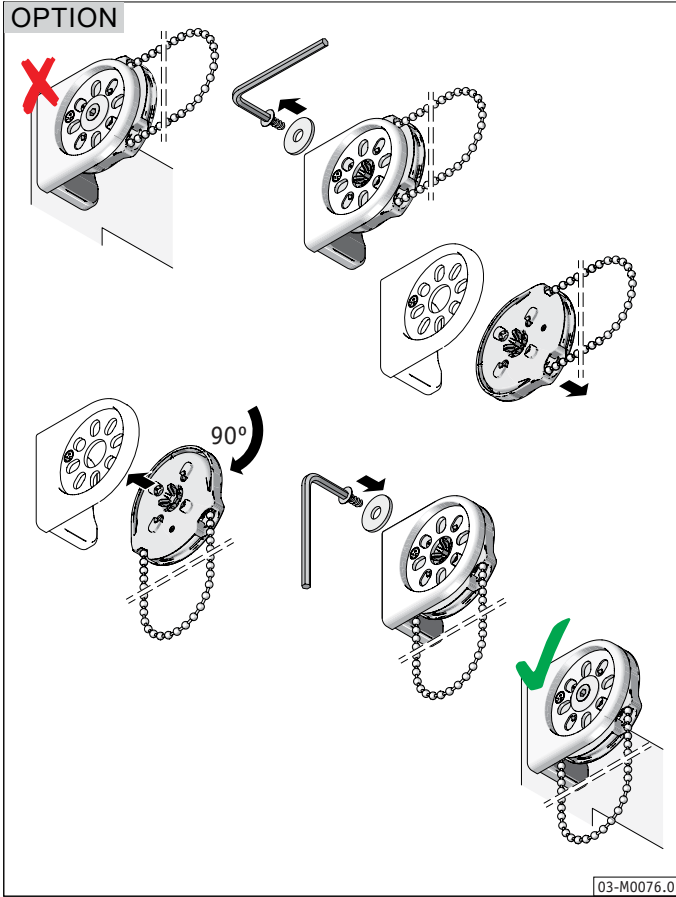


03-M0463.0

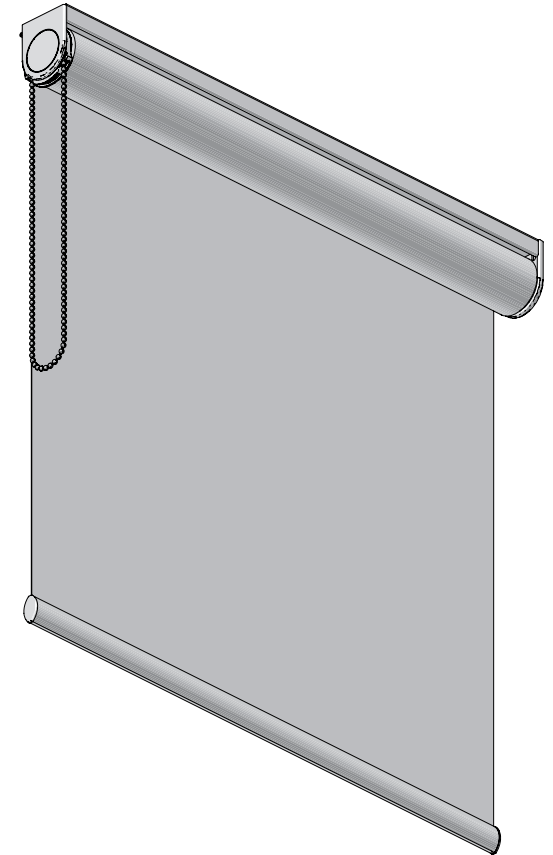
**i** **Installation Instruction**  
Roller Blind EOS® 500 Xcel  
Steel Brackets  
M50T Motor Operated  
Type 16-XL



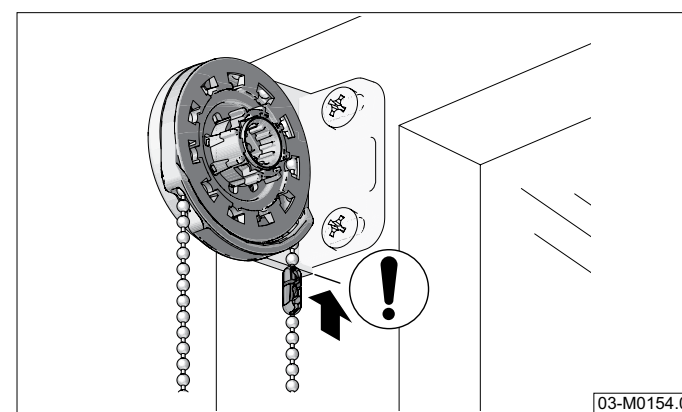
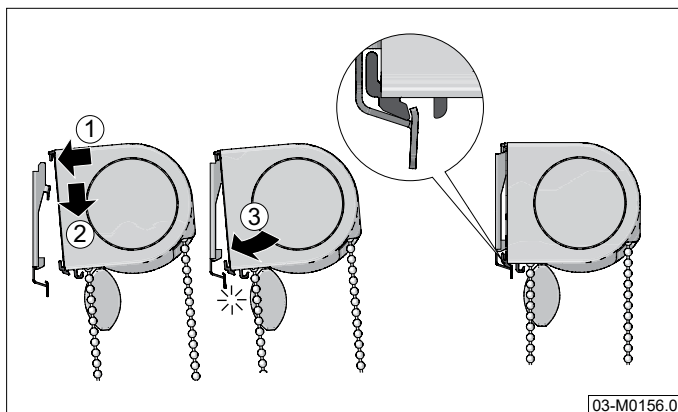
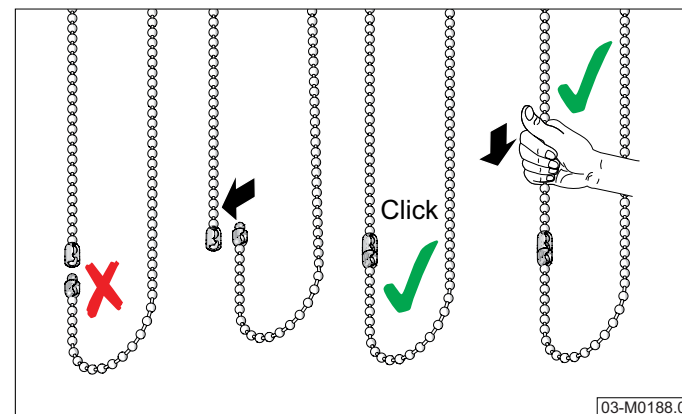
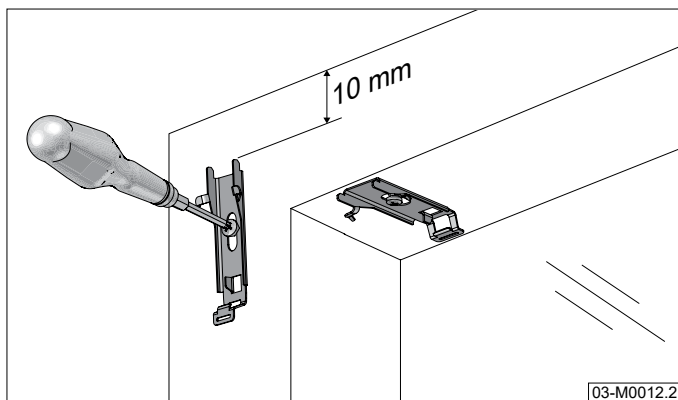
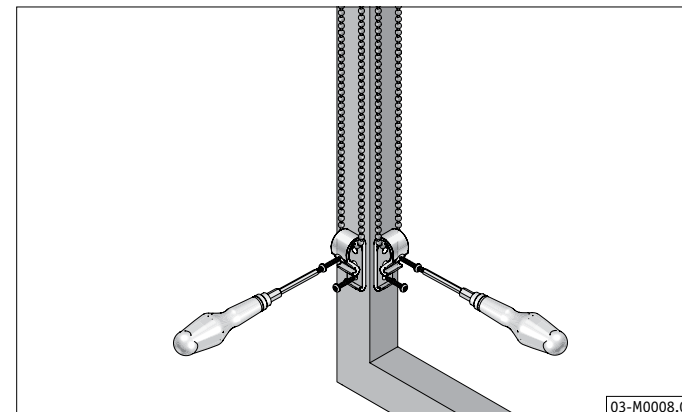
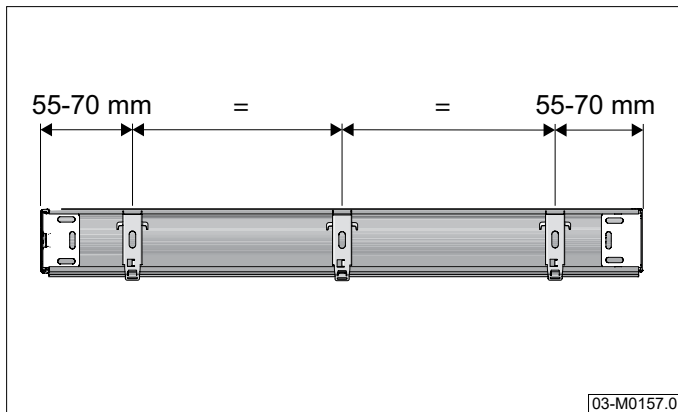




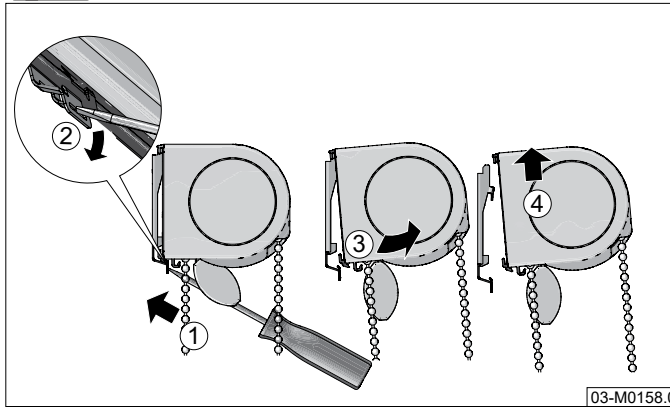
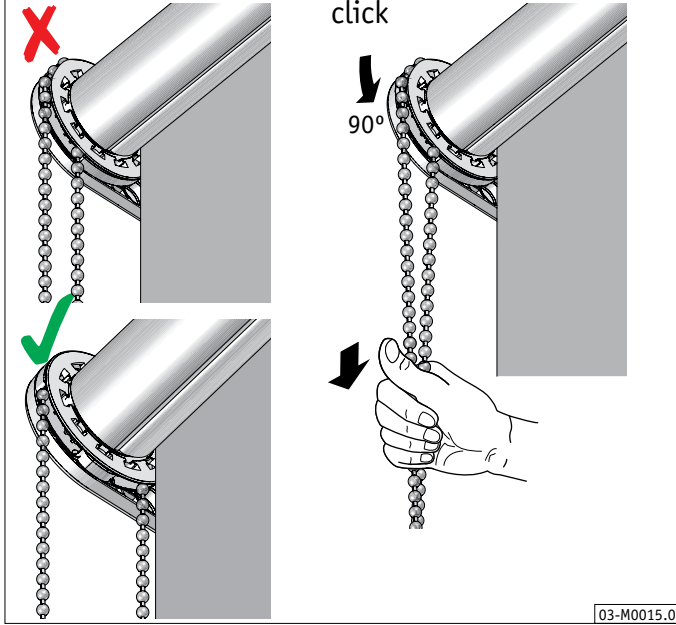
**i** **Installation Instruction**  
 Roller Blind EOS® 500 Xcel  
 Aluminium Brackets  
 Chain Operated  
 Type 21





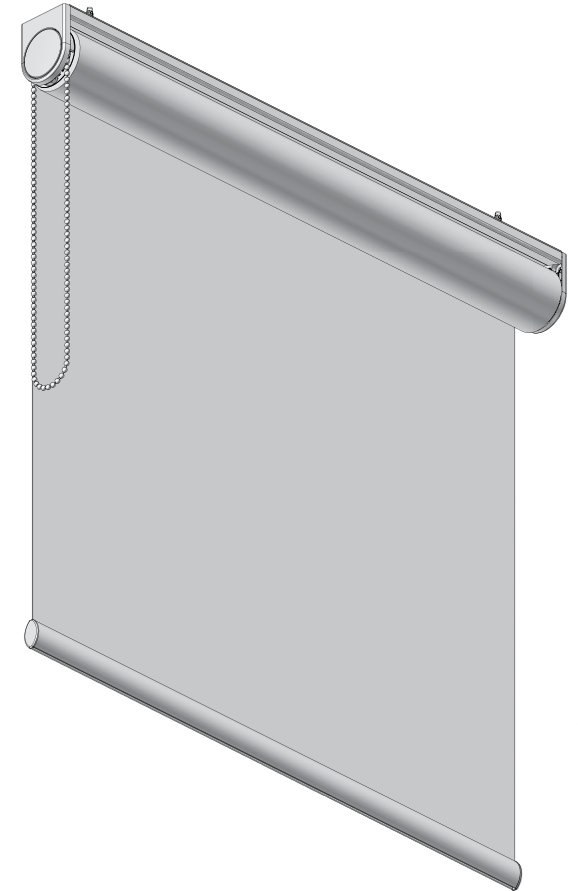


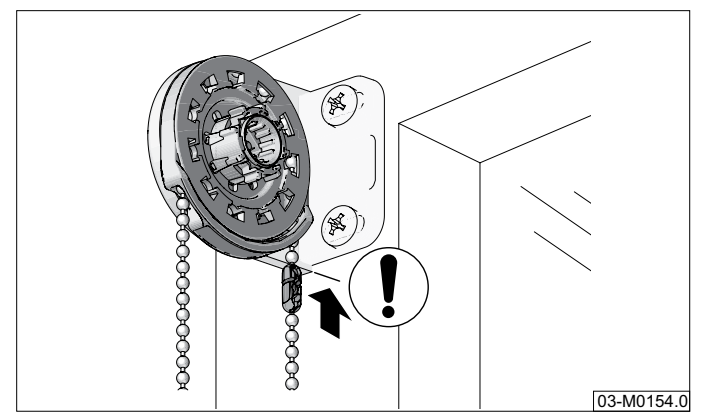
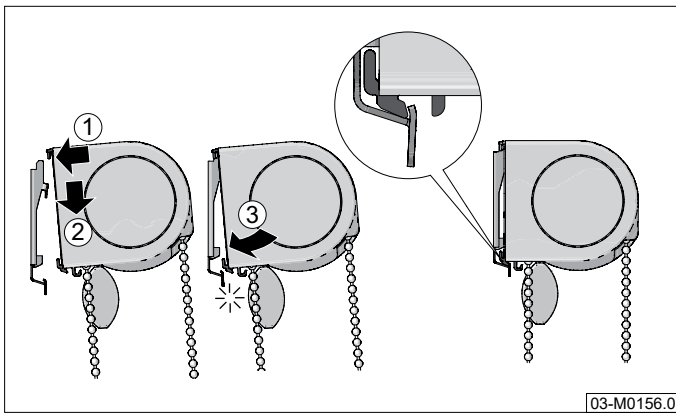
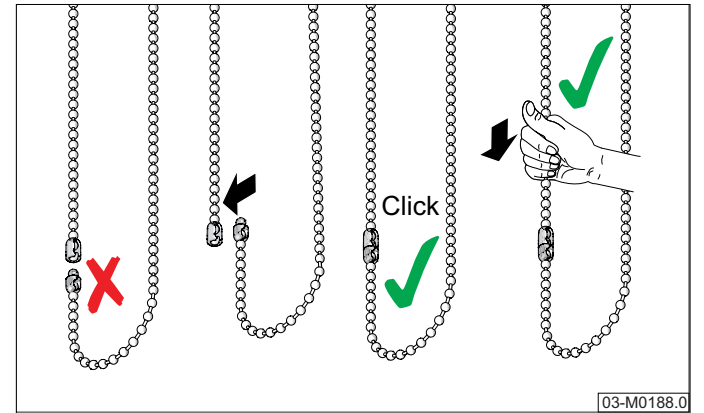
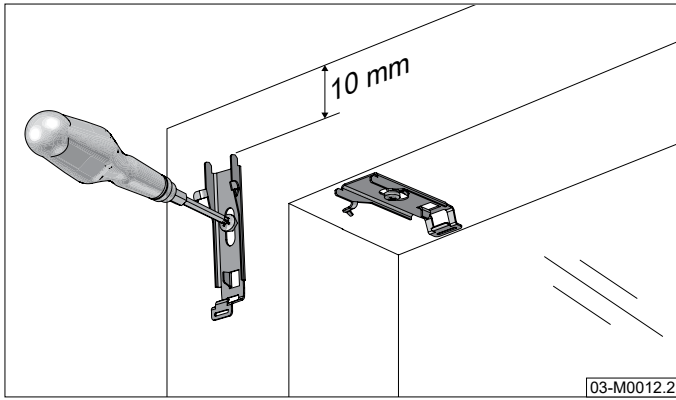
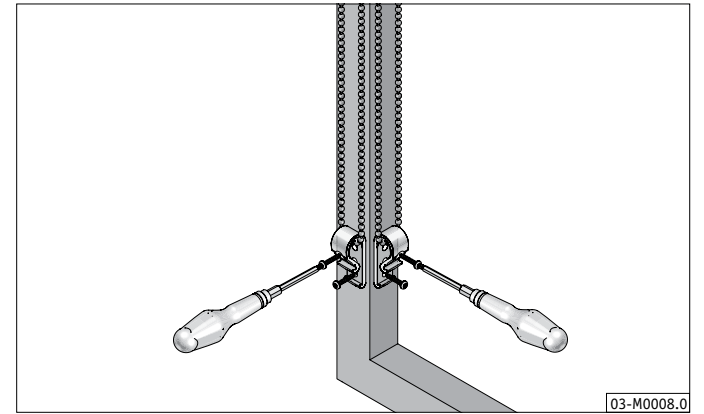
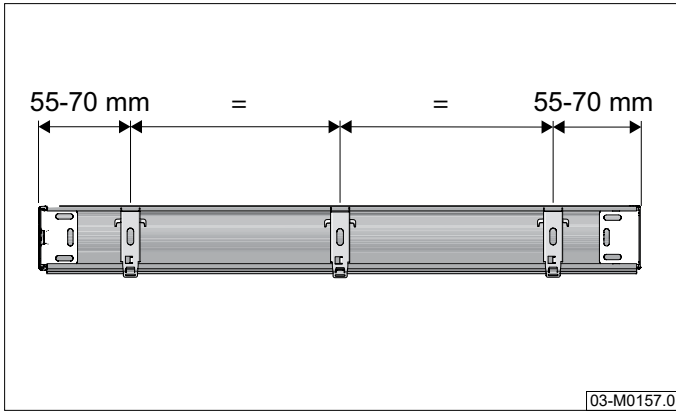
OPTION



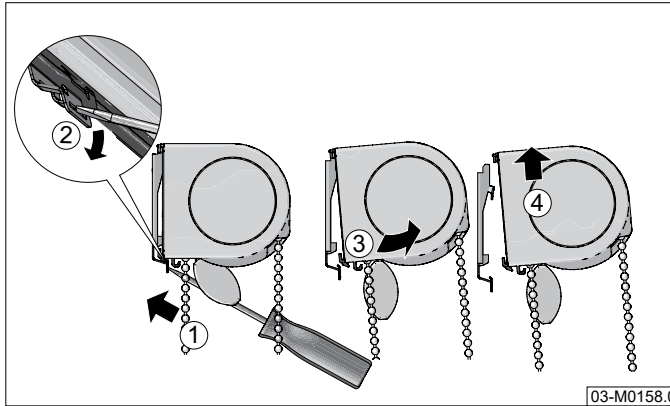
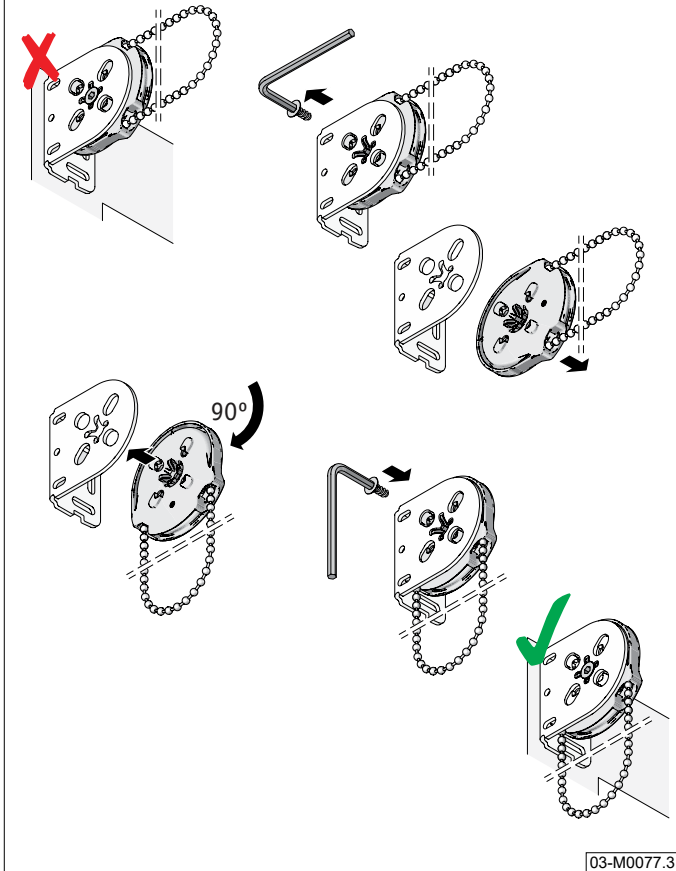
## Installation Instruction

Roller Blind EOS® 500 Xcel  
Plastic Brackets  
Chain Operated  
Type 21



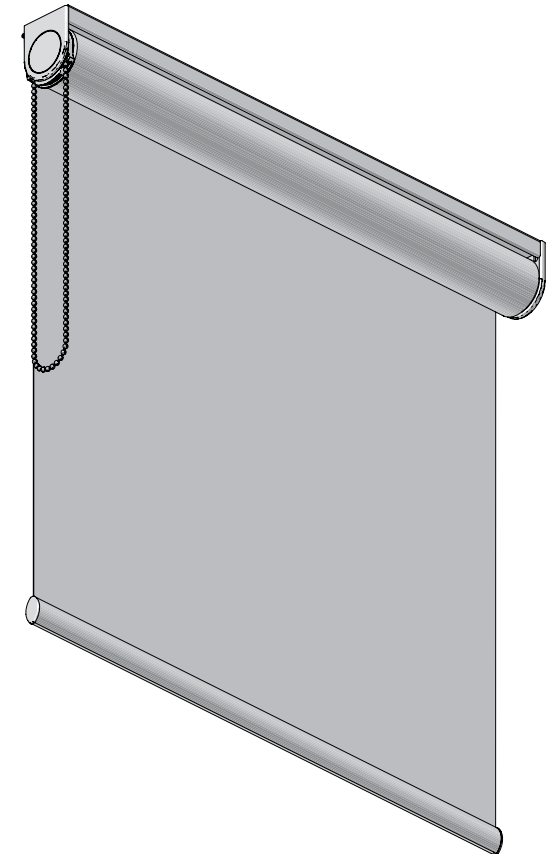


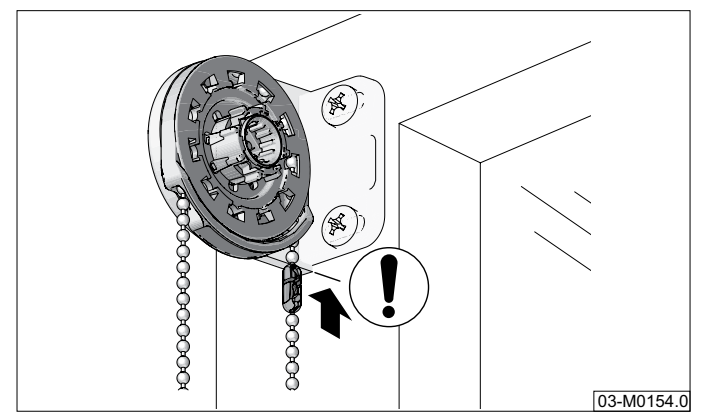
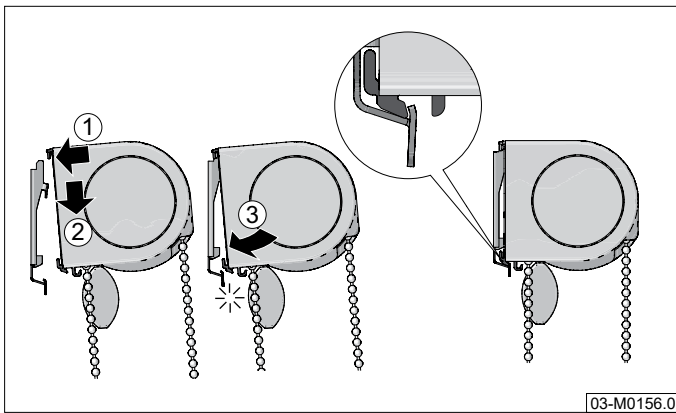
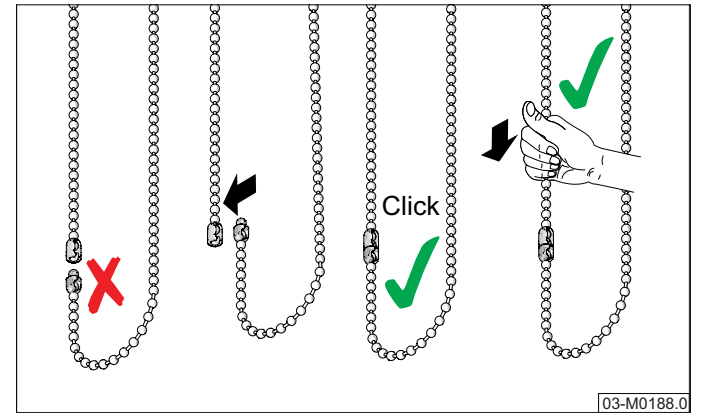
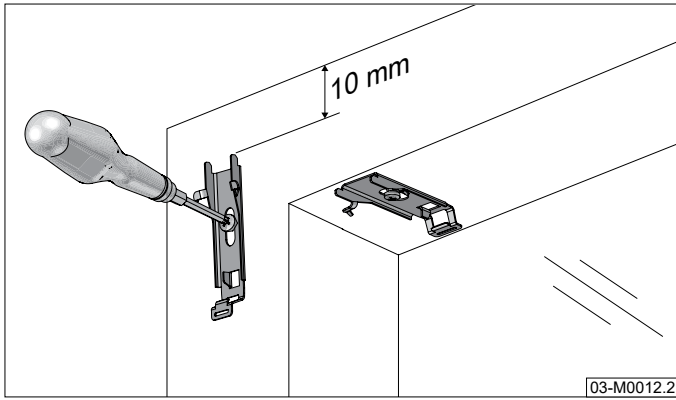
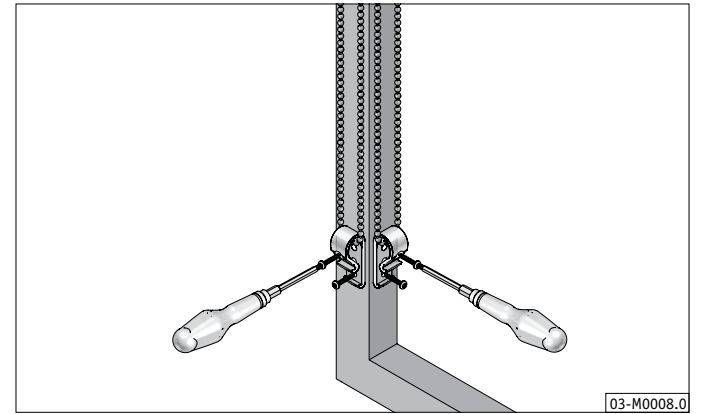
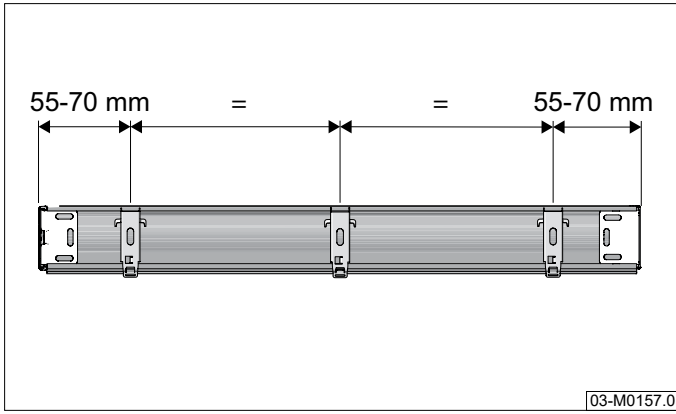
OPTION

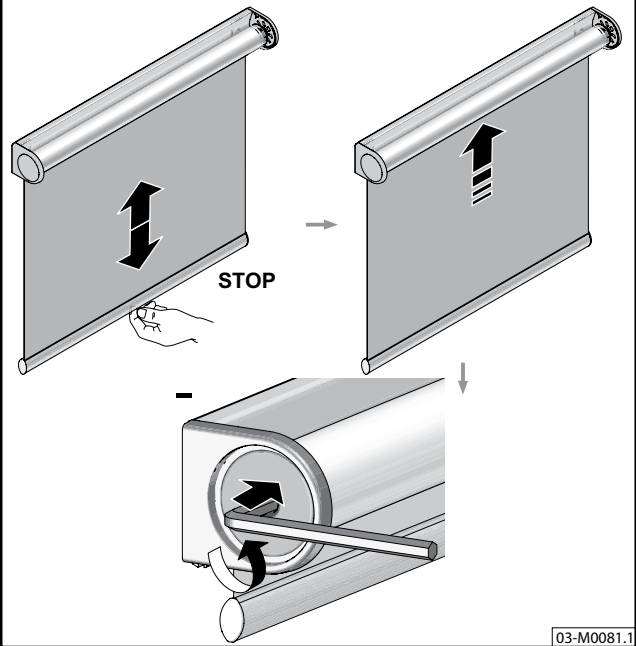
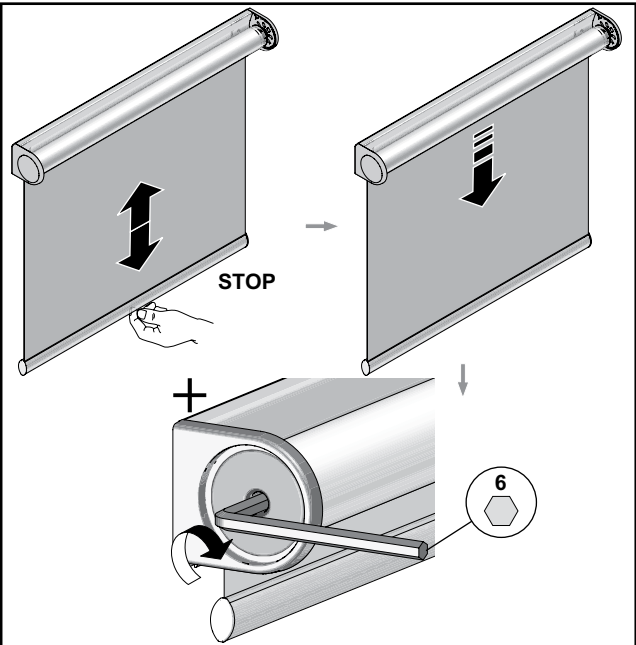


# Installation Instruction

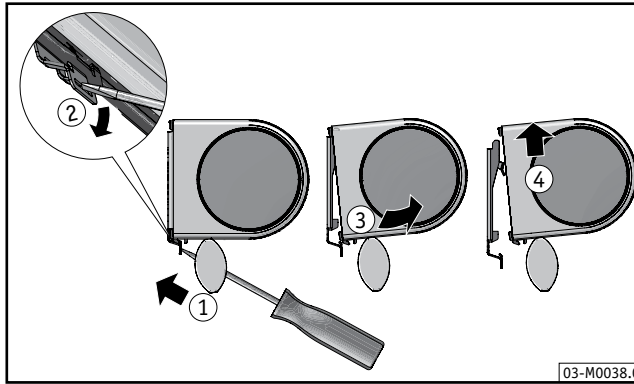
Roller Blind EOS® 500 Xcel  
Steel Brackets  
Chain Operated  
Type 21





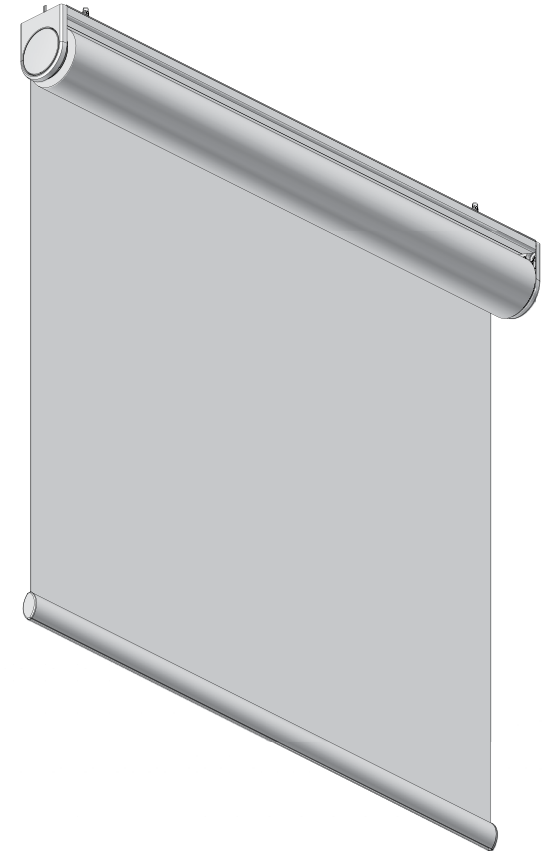


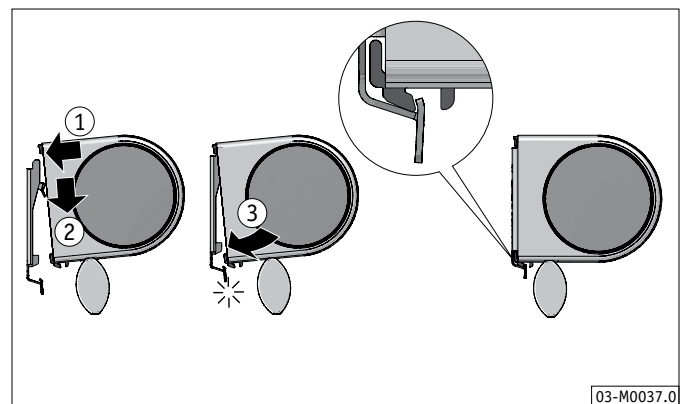
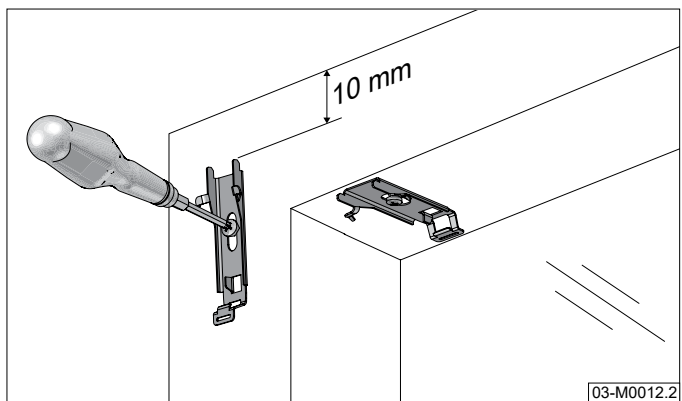
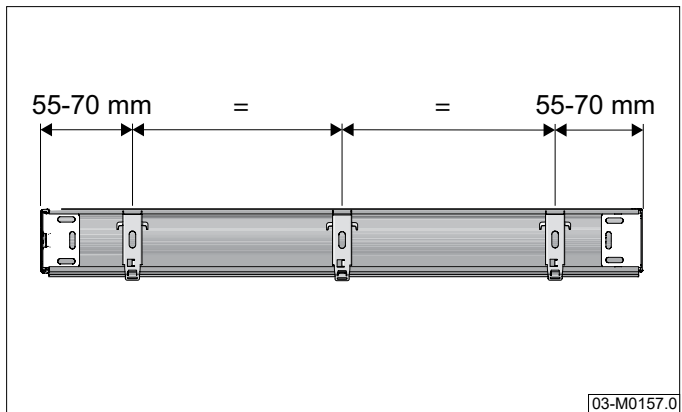
03-M0081.1

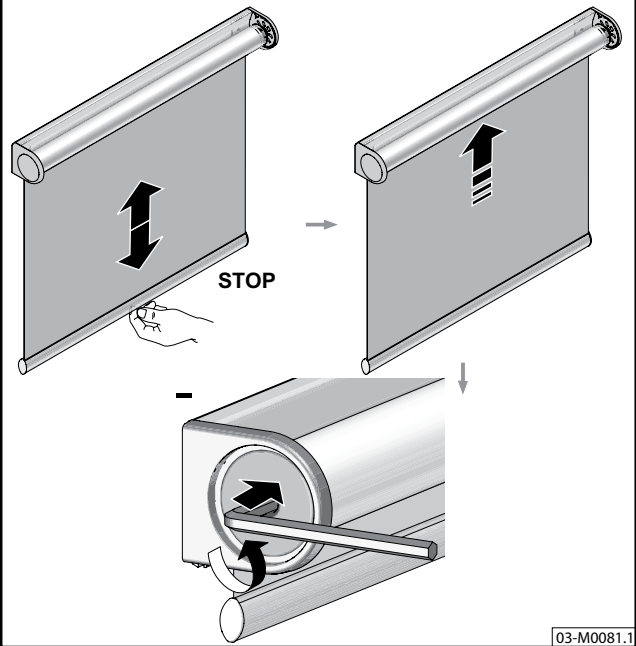
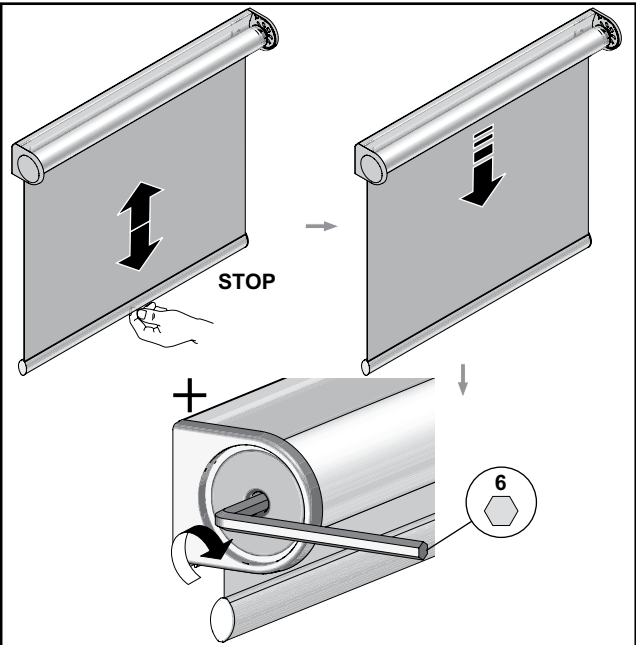


03-M0038.0

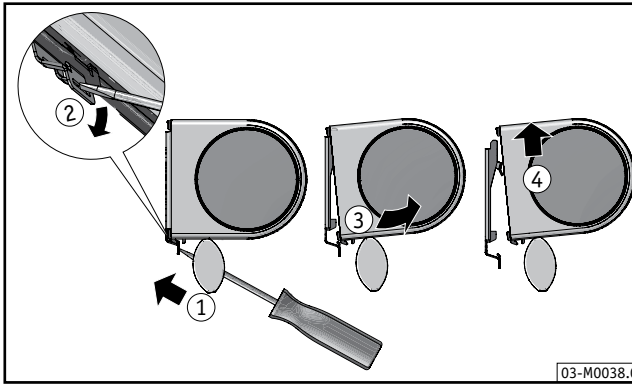
**i** **Installation Instruction**  
 Roller Blind EOS® 500 Xcel  
 Aluminium Brackets  
 Lite Rise® Operated  
 Type 24







03-M0081.1



03-M0038.0



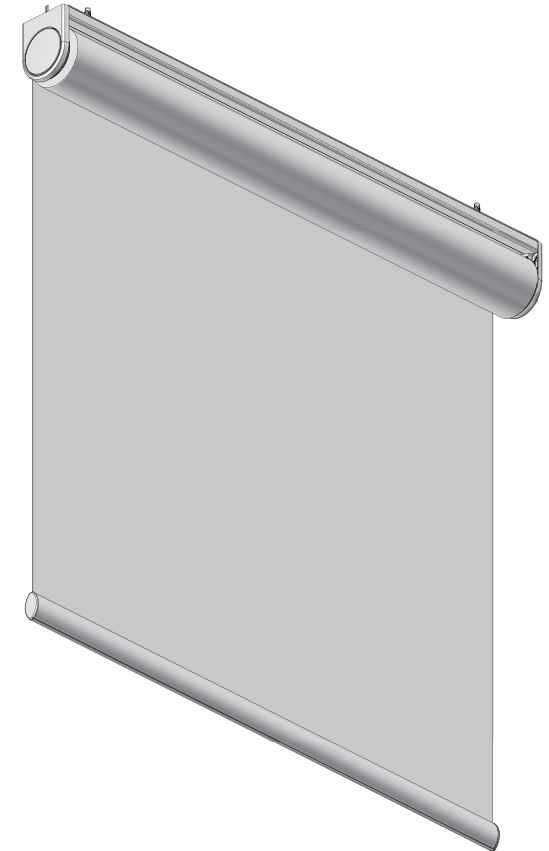
# Installation Instruction

Roller Blind EOS® 500 Xcel

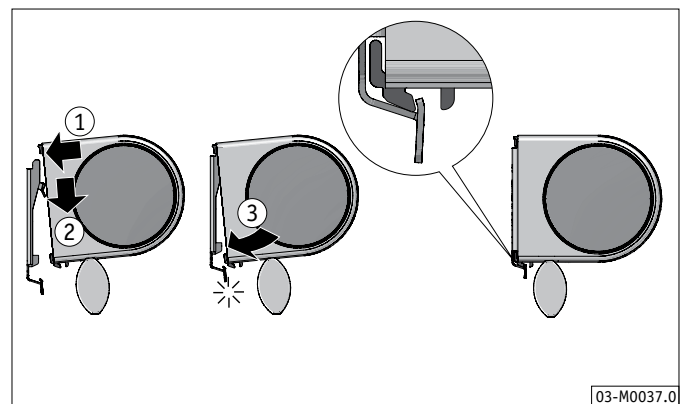
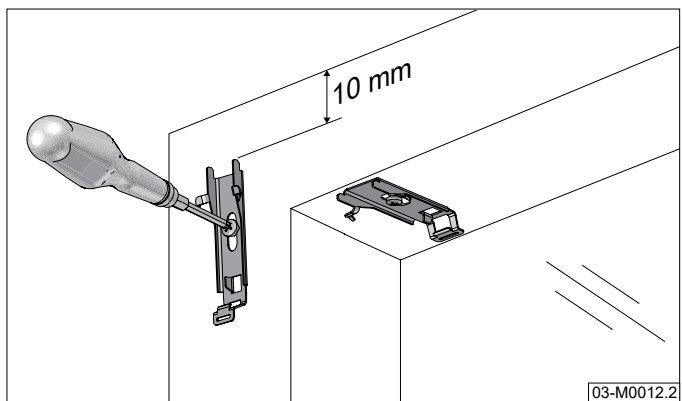
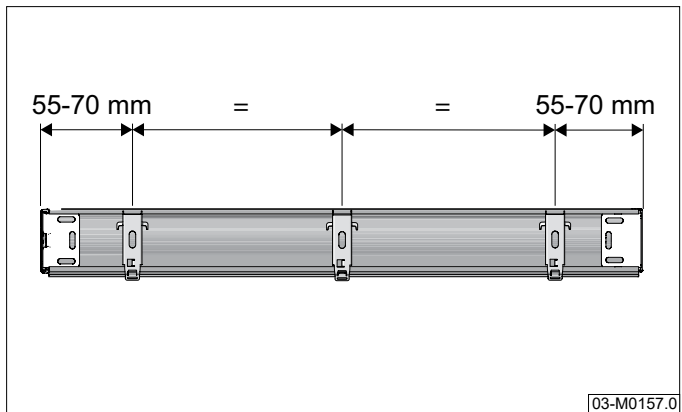
Plastic Brackets

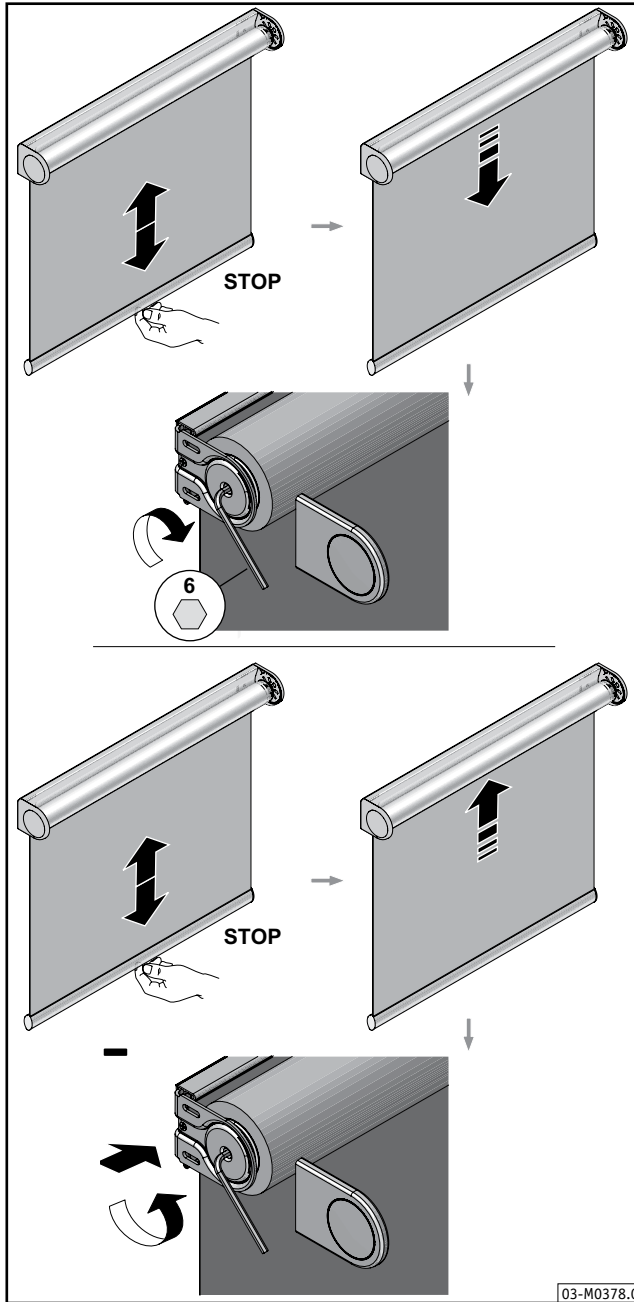
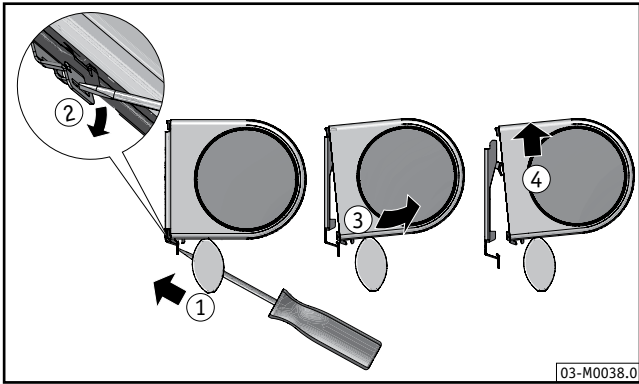
Lite Rise® Operated

Type 24









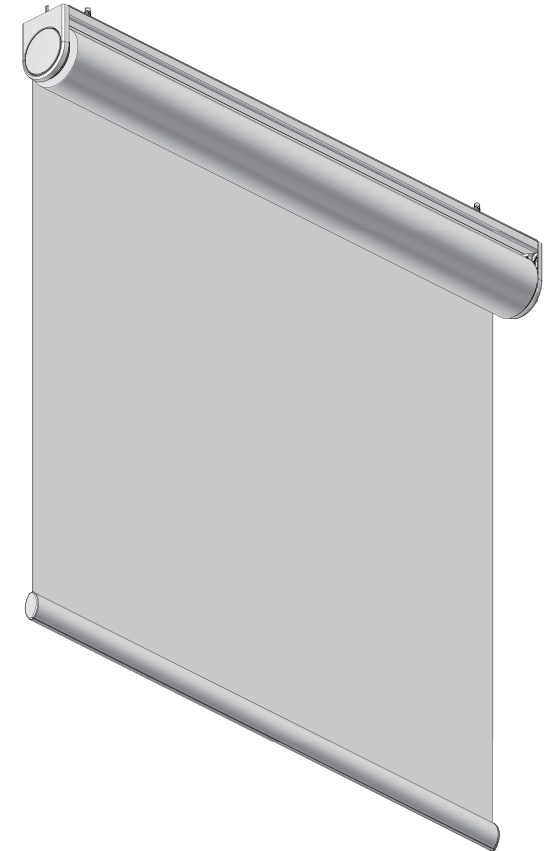
# Installation Instruction

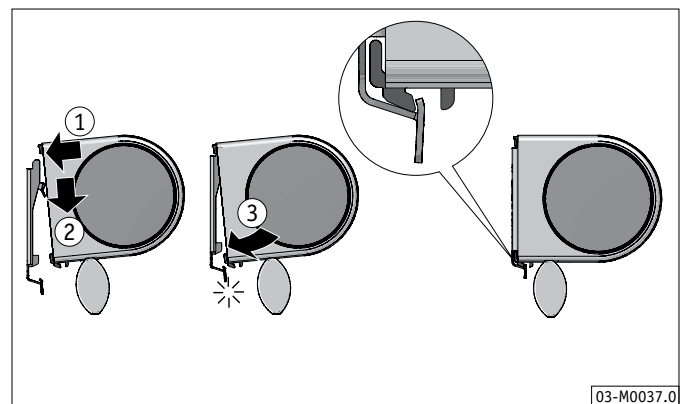
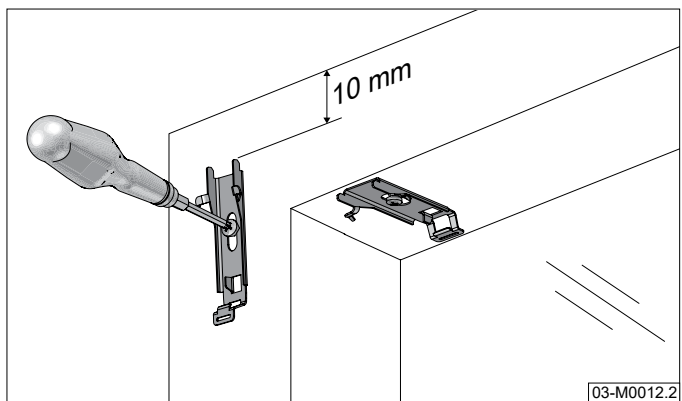
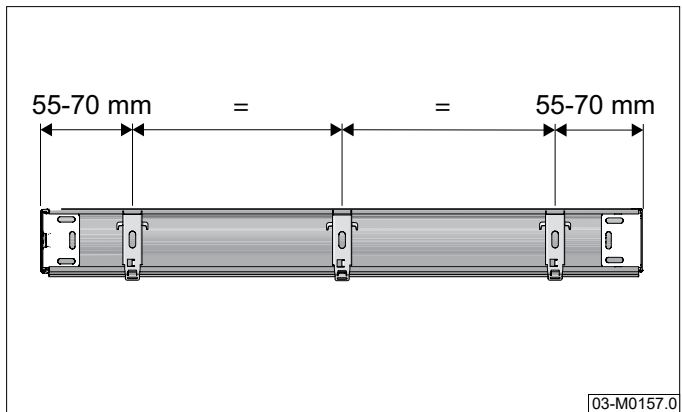
Roller Blind EOS® 500 Xcel

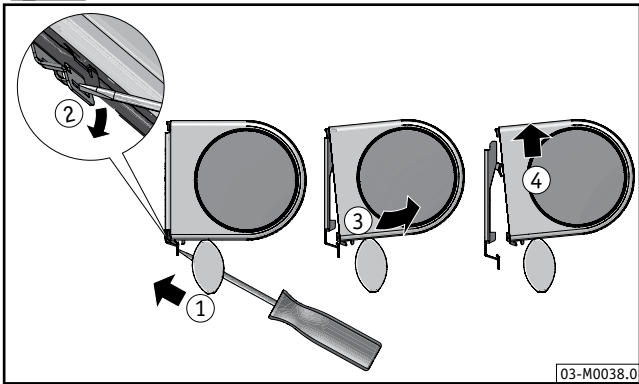
Steel Brackets

Lite Rise® Operated

Type 24

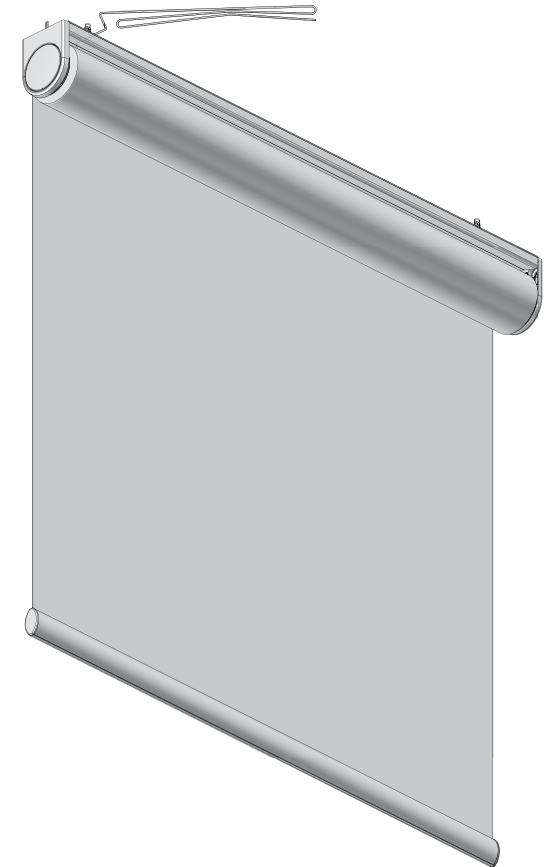


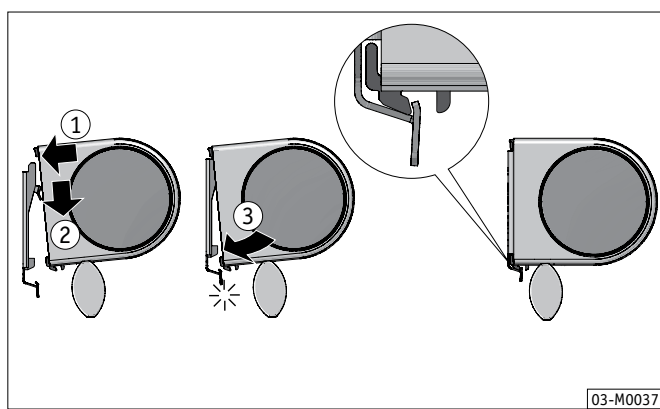
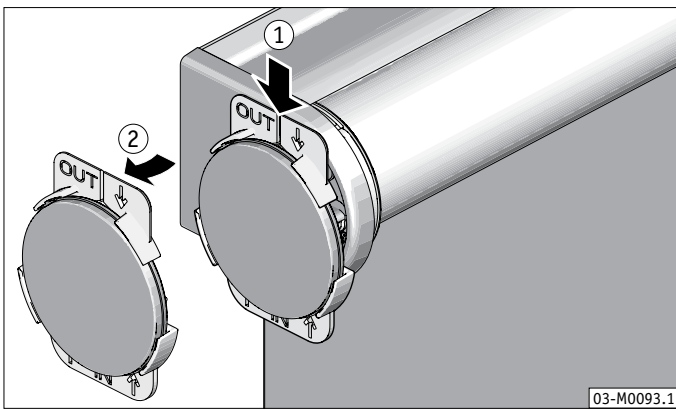
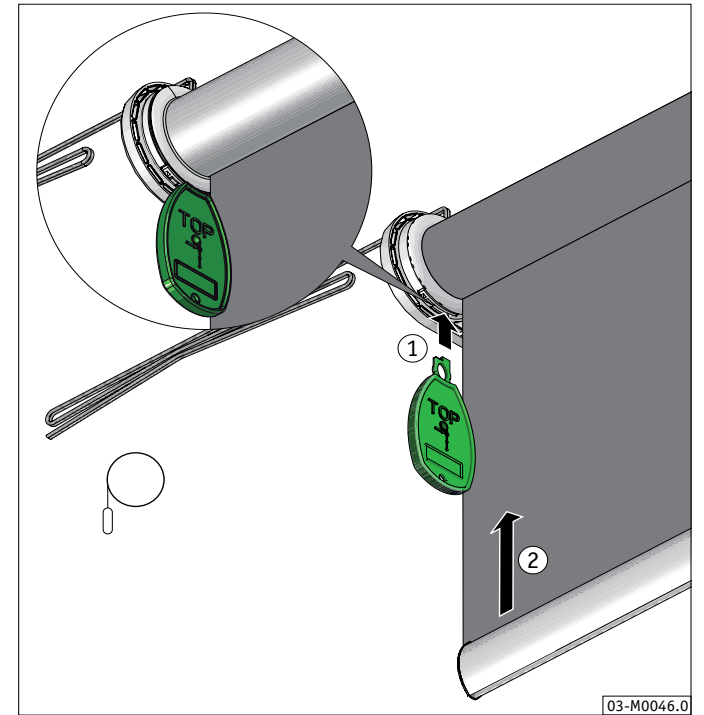
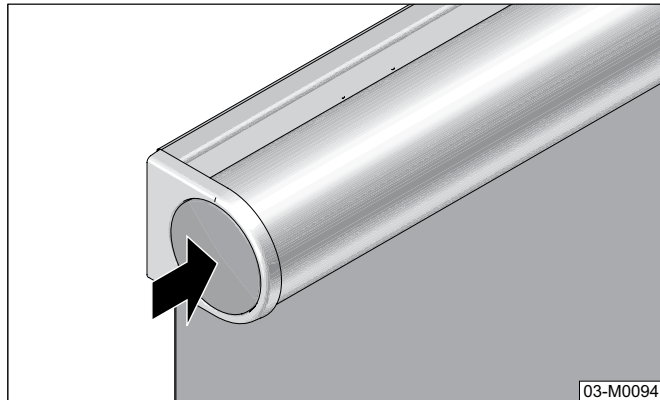
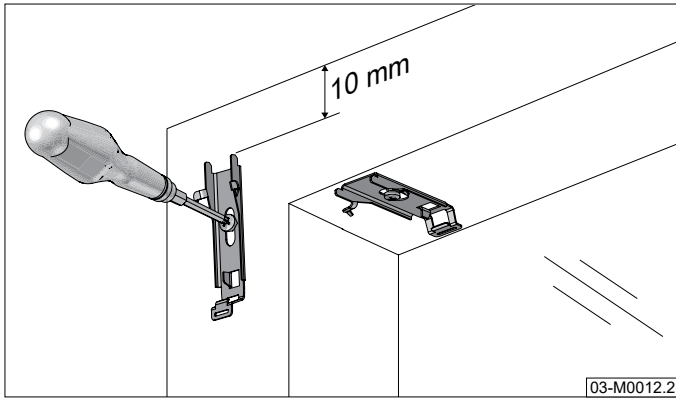
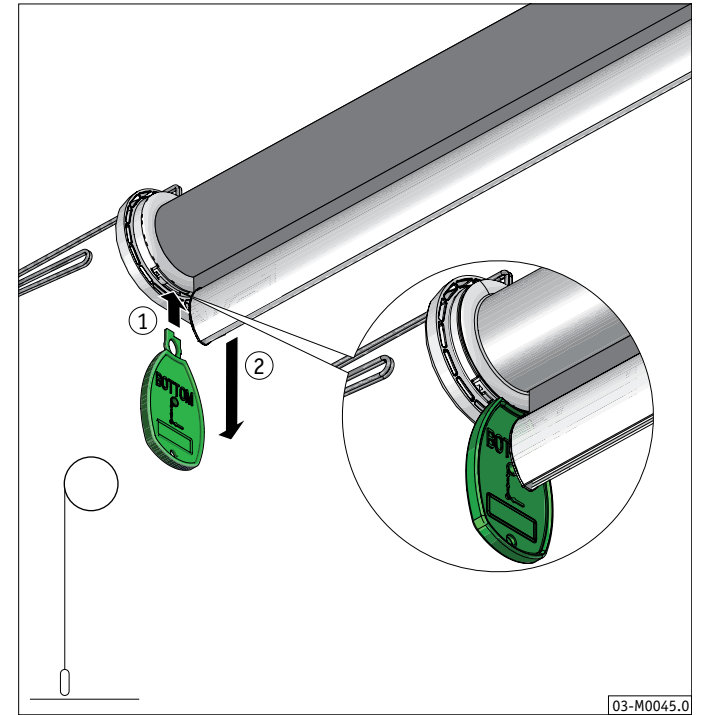
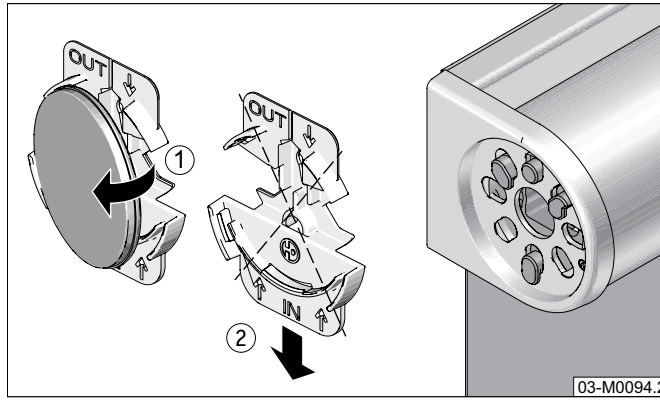
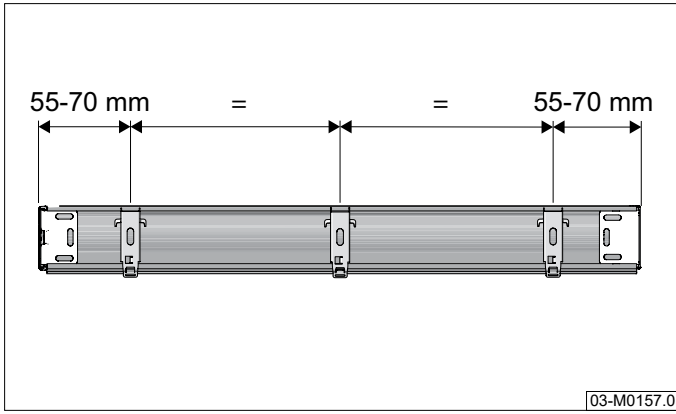


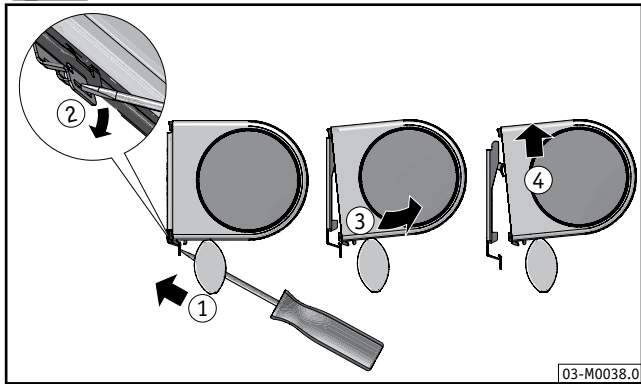


# **i** Installation Instruction

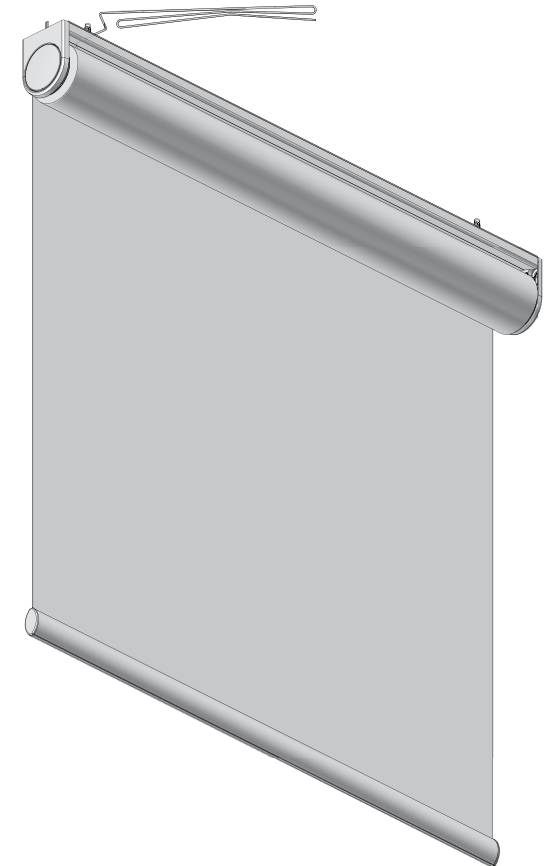
Roller Blind EOS® 500 Xcel  
Aluminium Brackets  
M25T Motor Operated  
Type 26

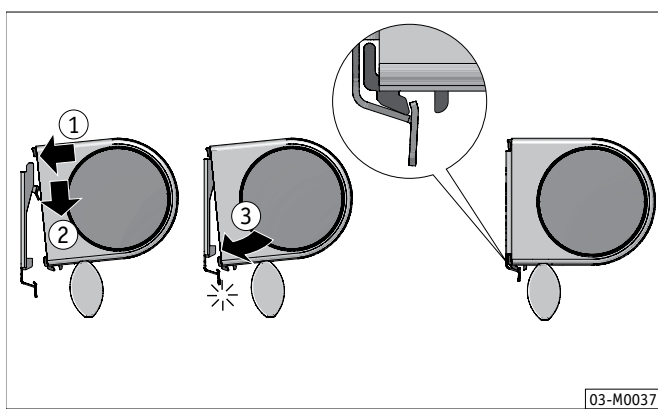
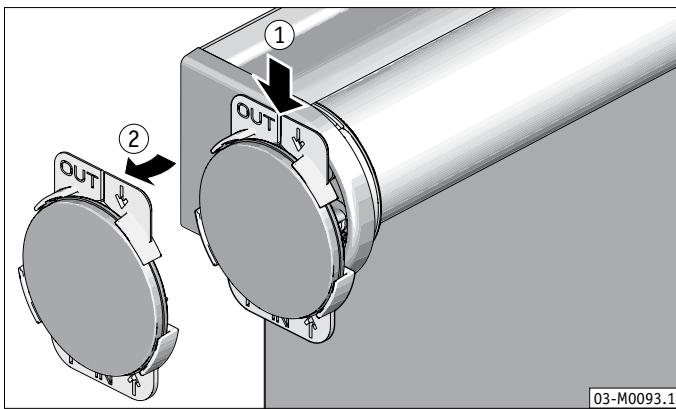
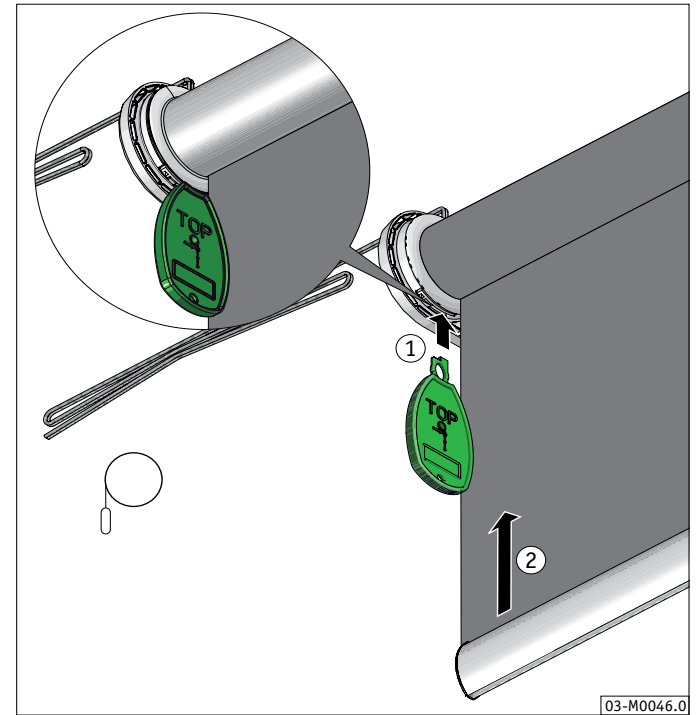
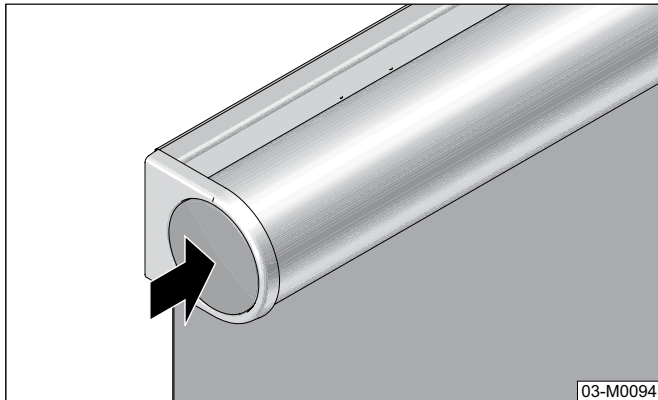
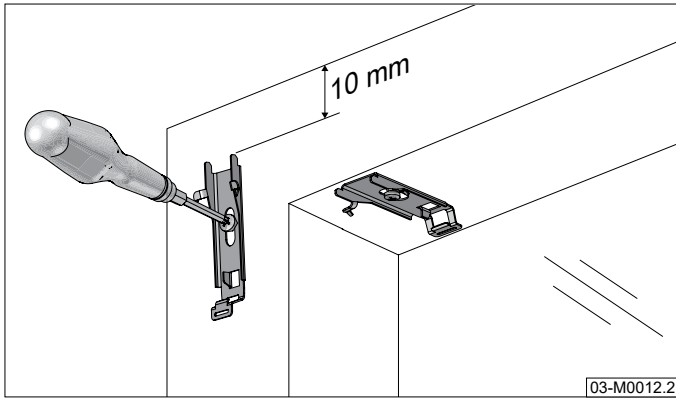
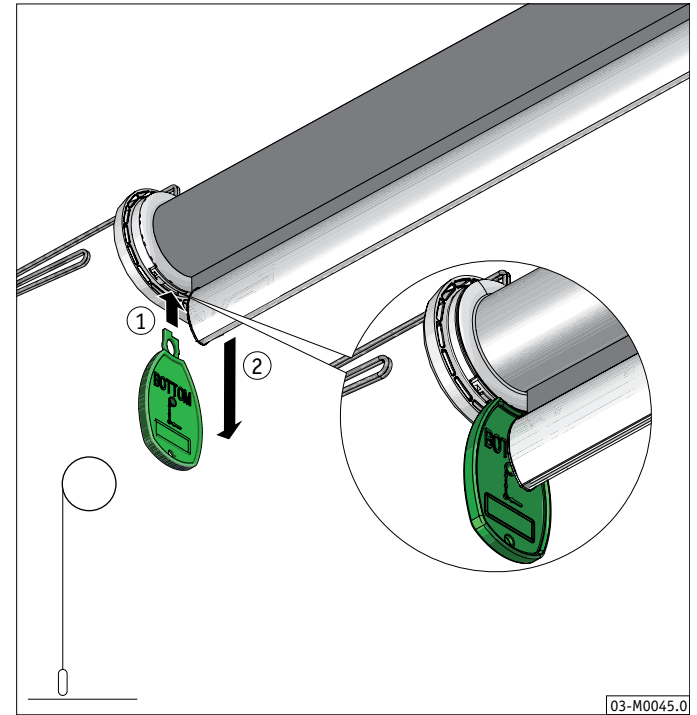
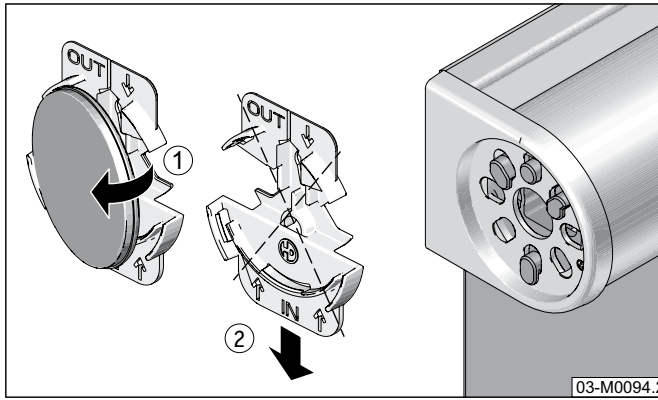
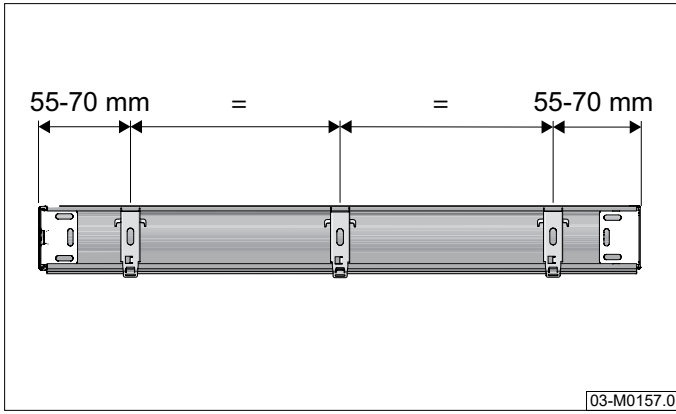


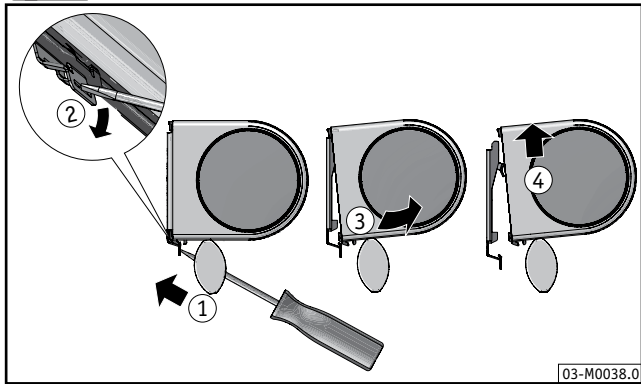




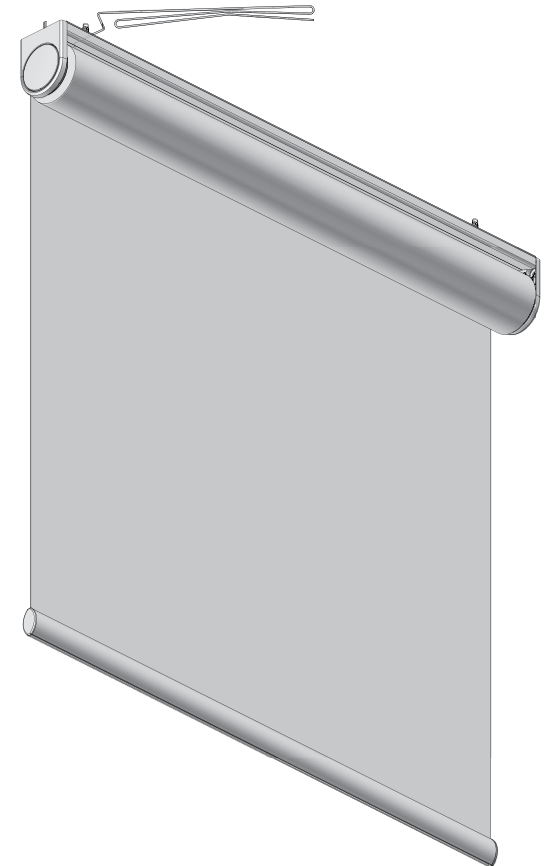
**i** **Installation Instruction**  
Roller Blind EOS® 500 Xcel  
Plastic Brackets  
M25T Motor Operated  
Type 26



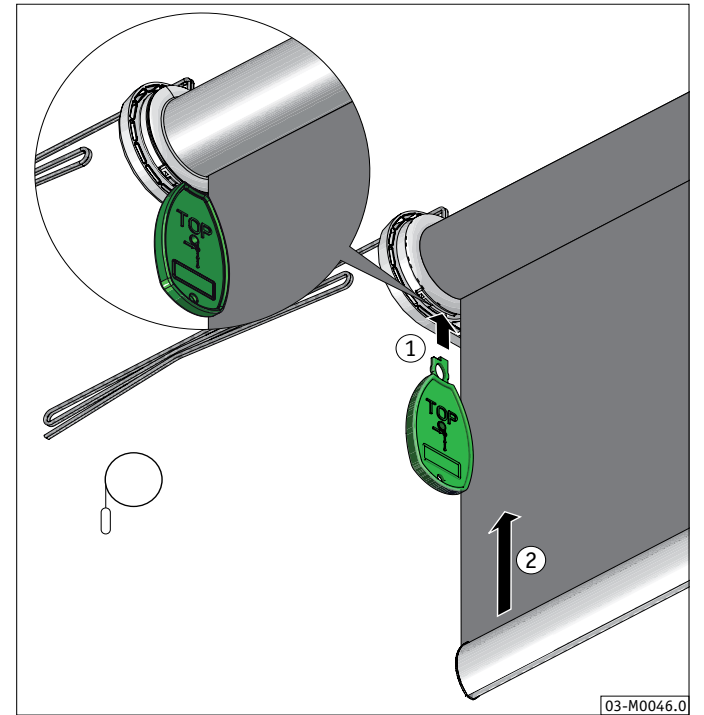
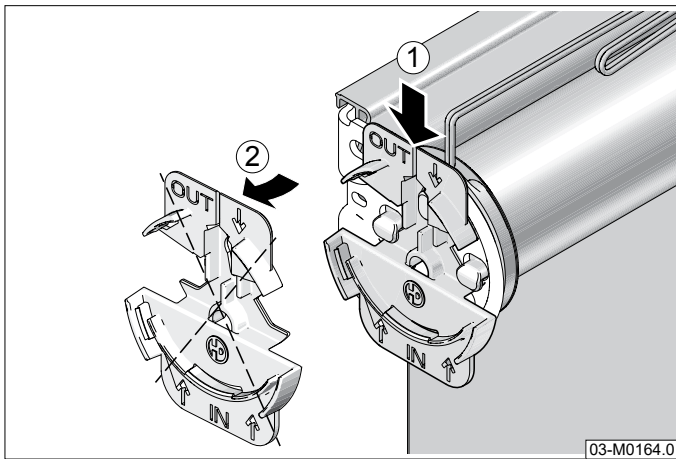
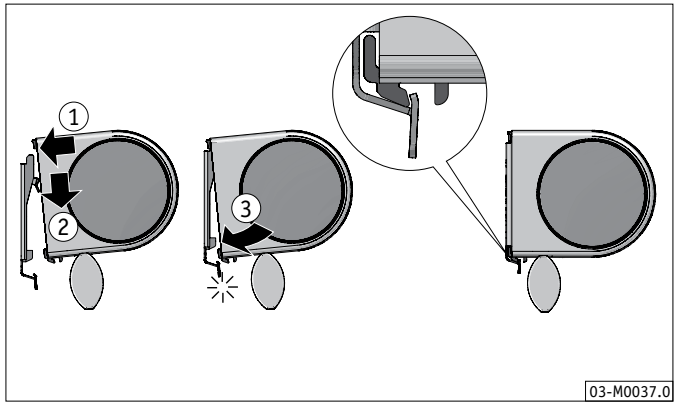
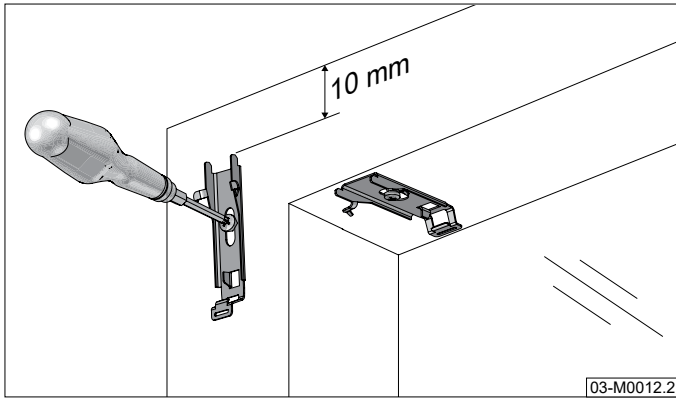
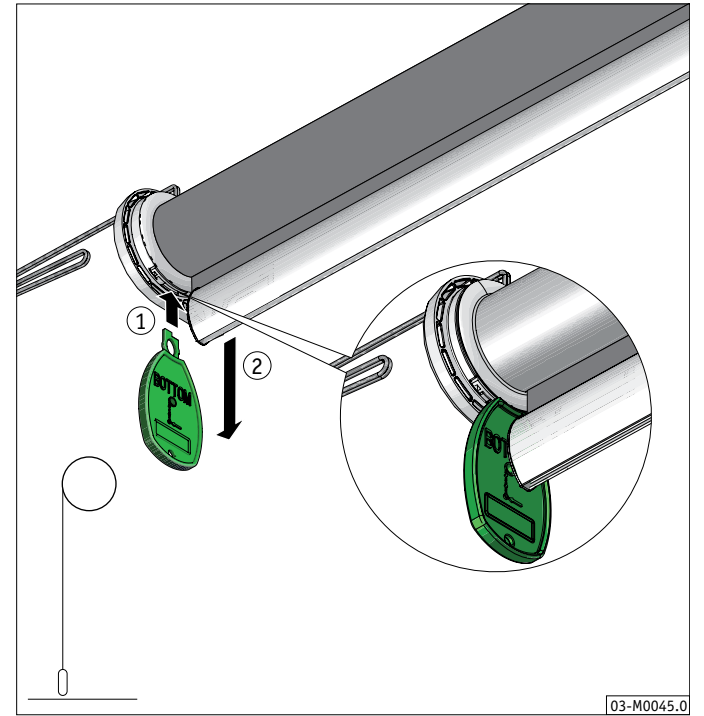
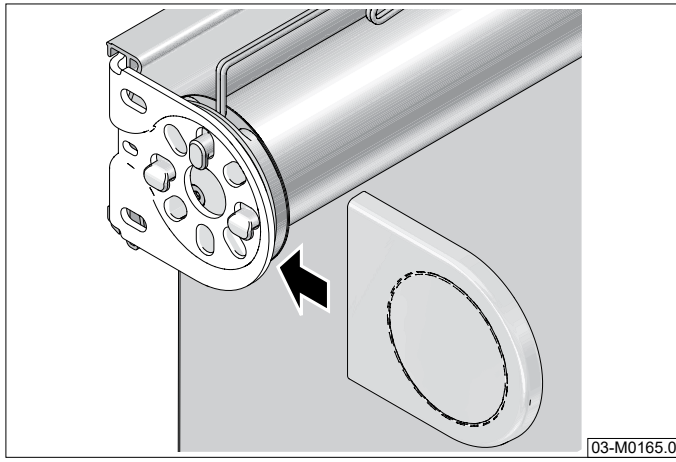
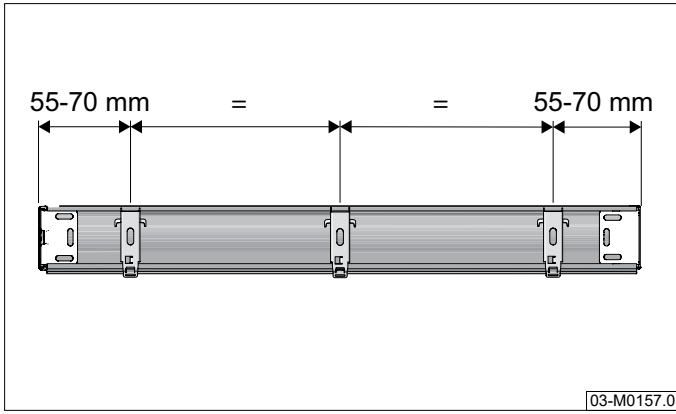




**i** **Installation Instruction**  
Roller Blind EOS® 500 Xcel  
Steel Brackets  
M25T Motor Operated  
Type 26



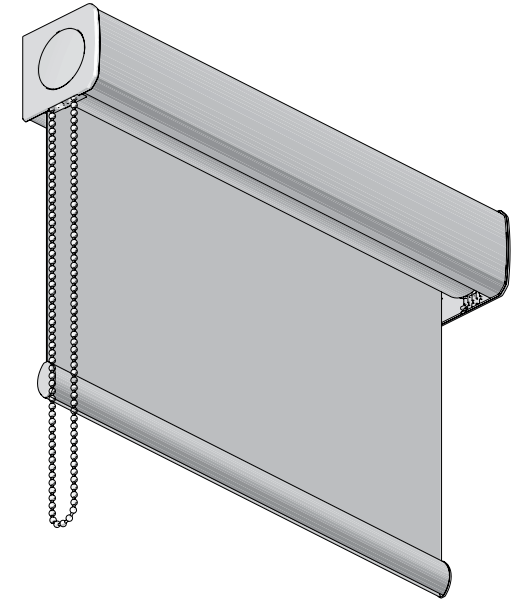


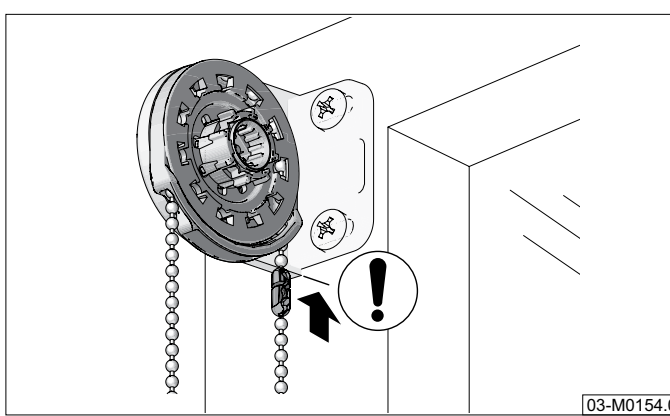
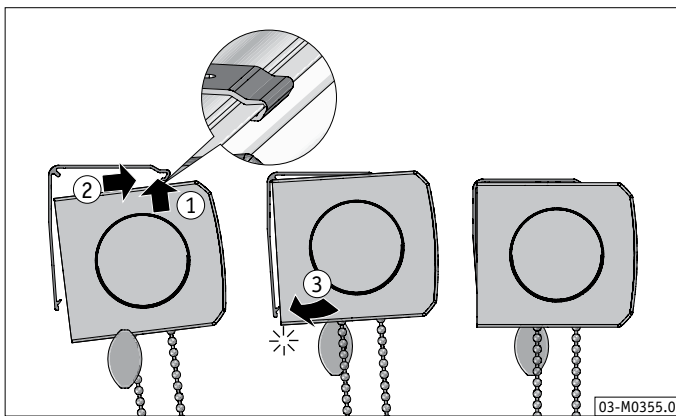
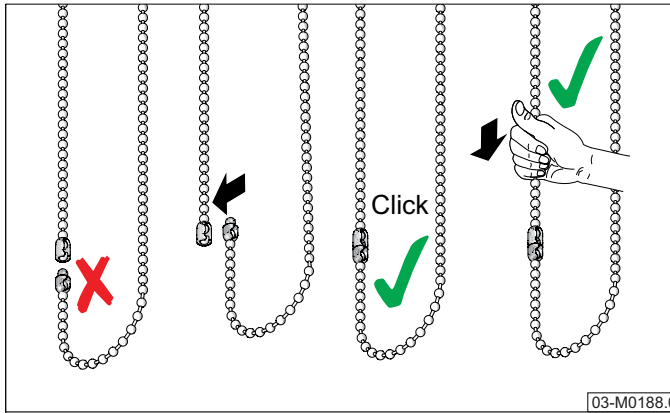
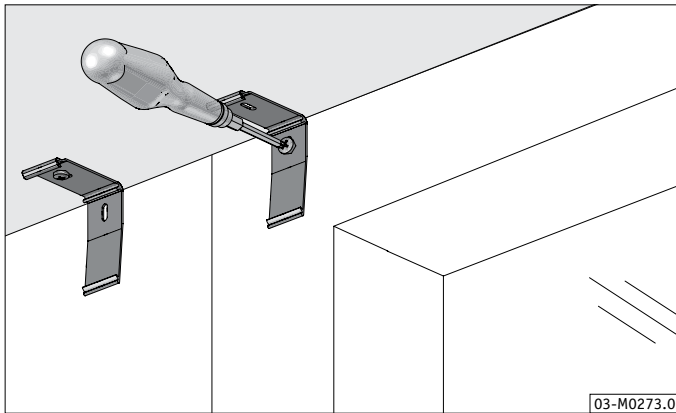
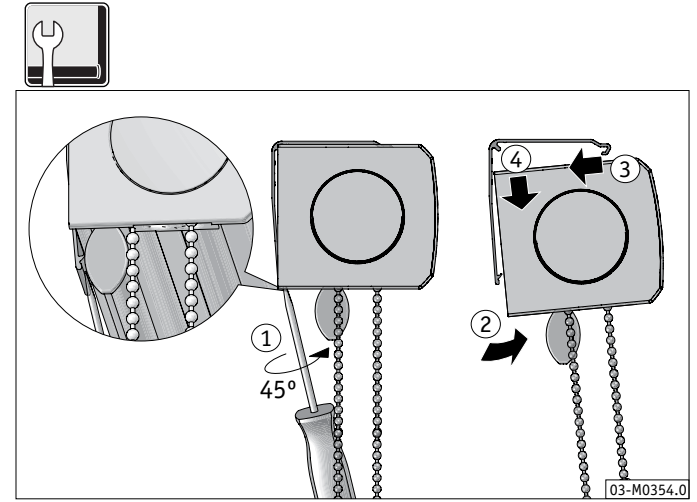
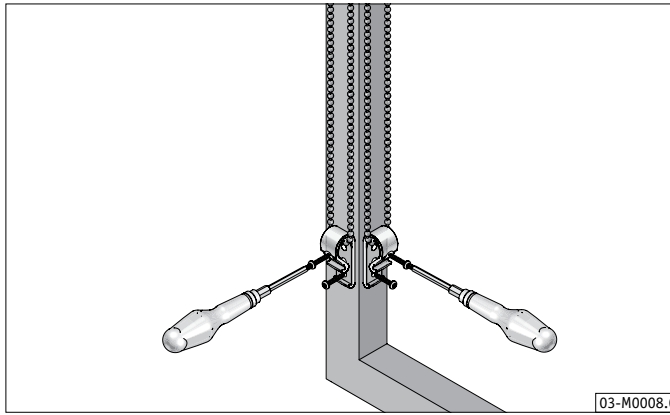
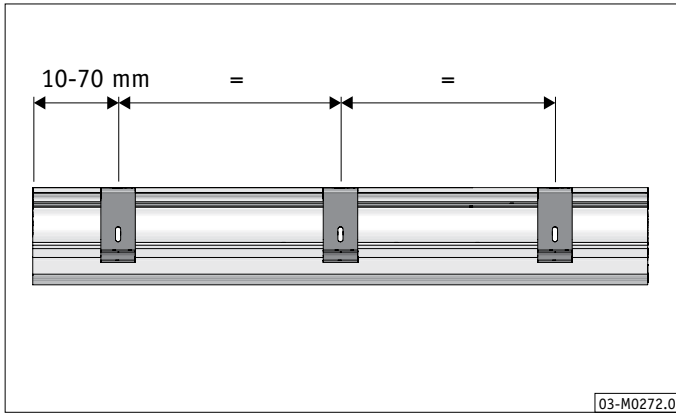




## Installation Instruction

Roller Blind EOS® 500 Xcel  
Cassette S1&S2  
Chain Operated  
Type 561&581







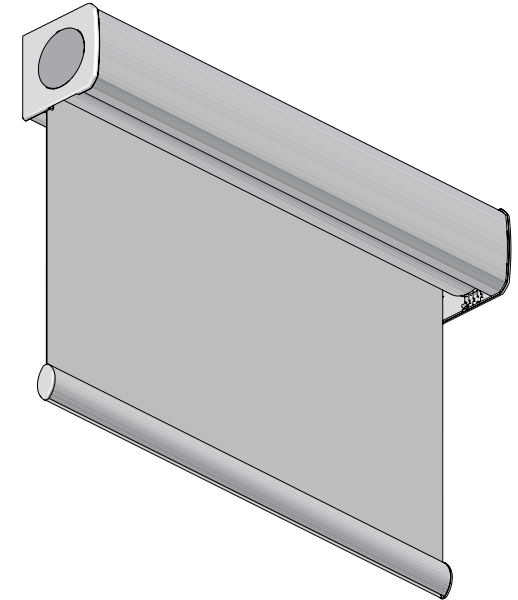
## Installation Instruction

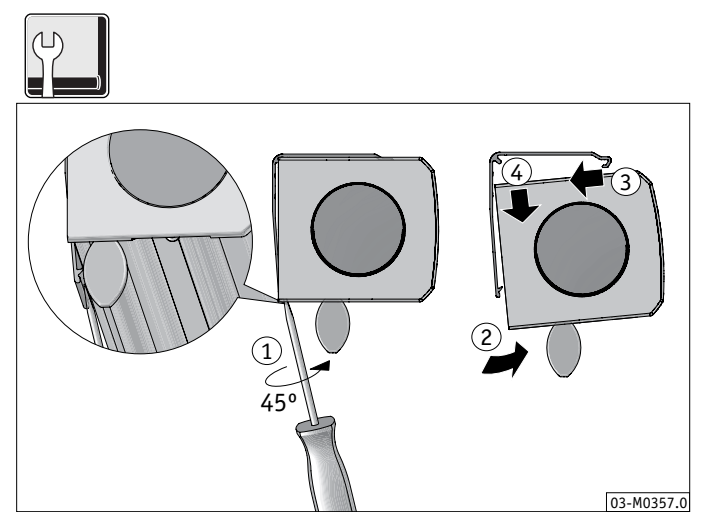
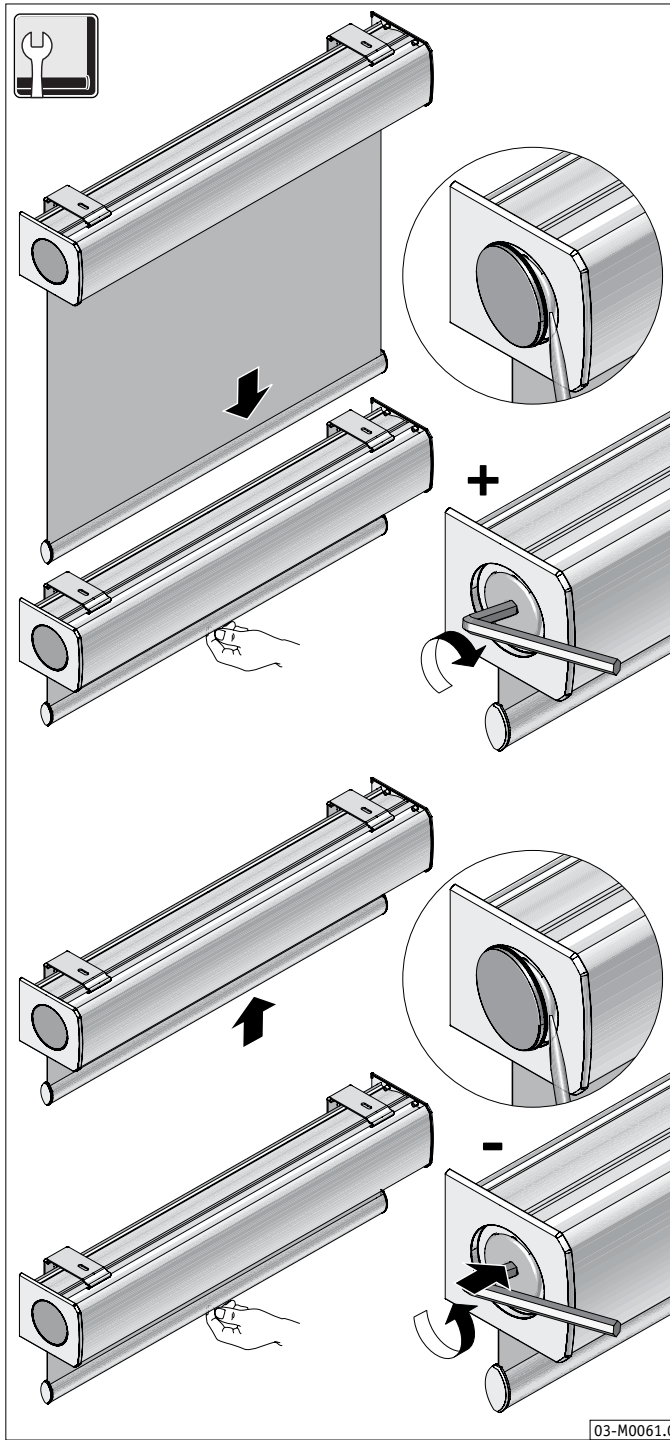
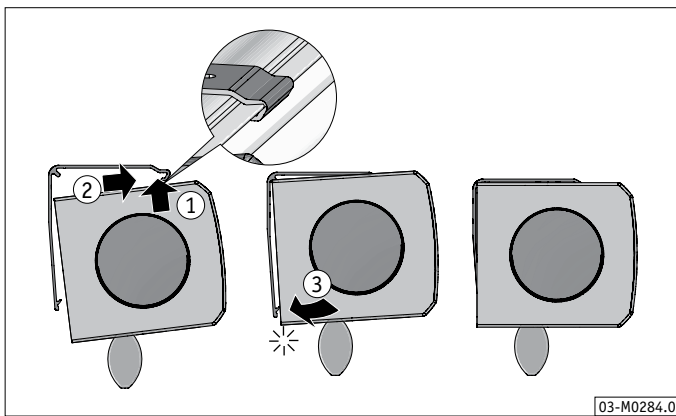
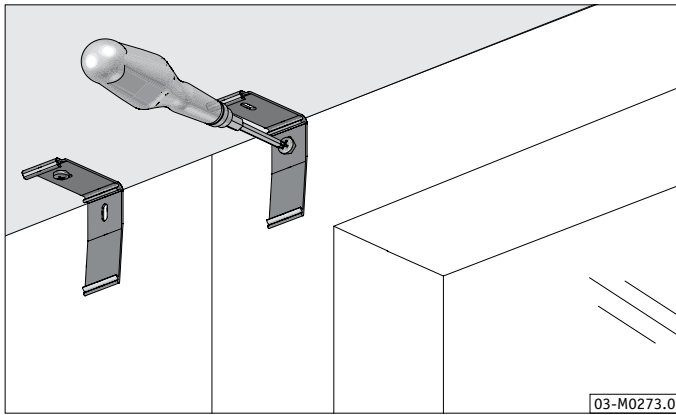
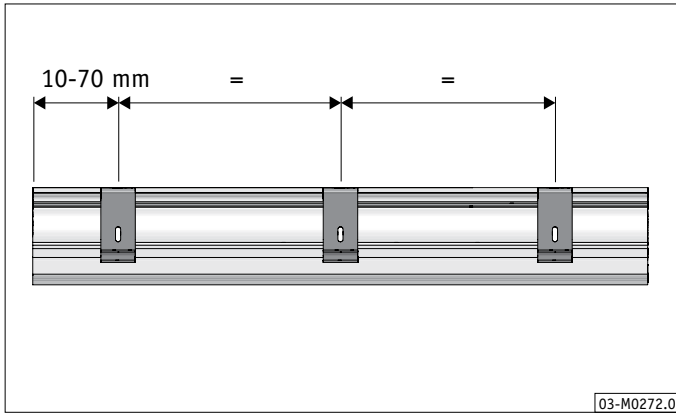
Roller Blind EOS® 500 Xcel

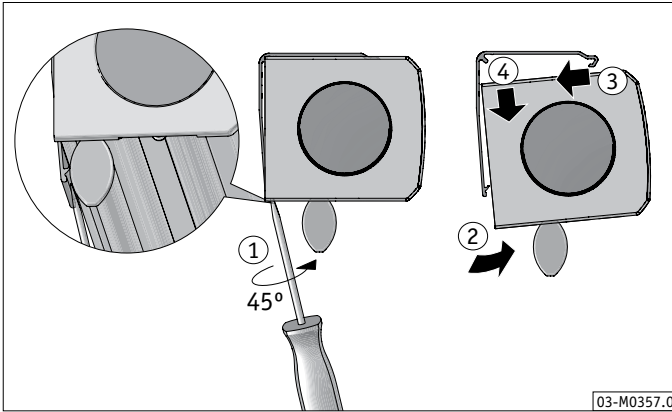
Cassette S1&S2

Lite Rise® Operated

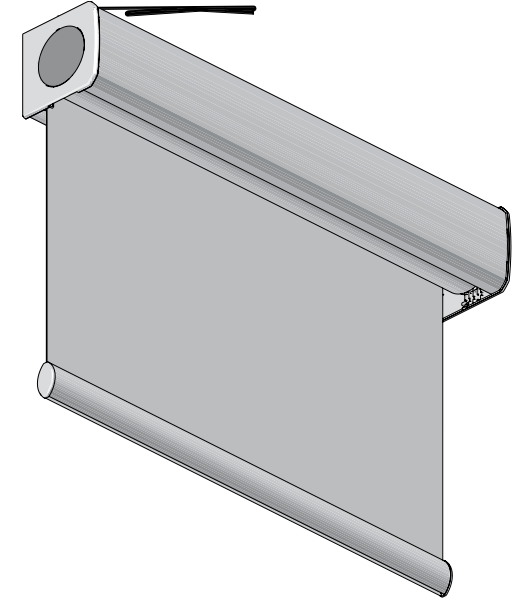
Type 564&584

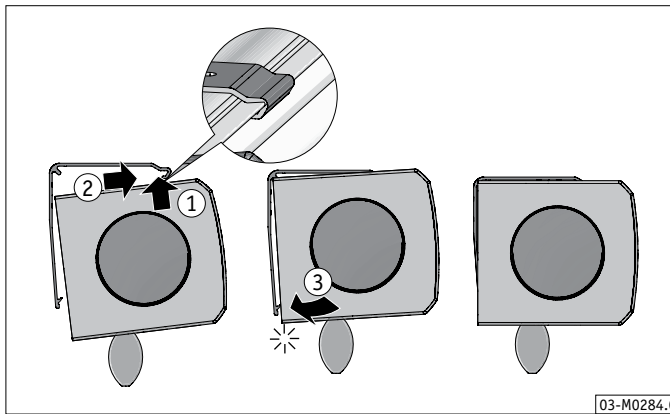
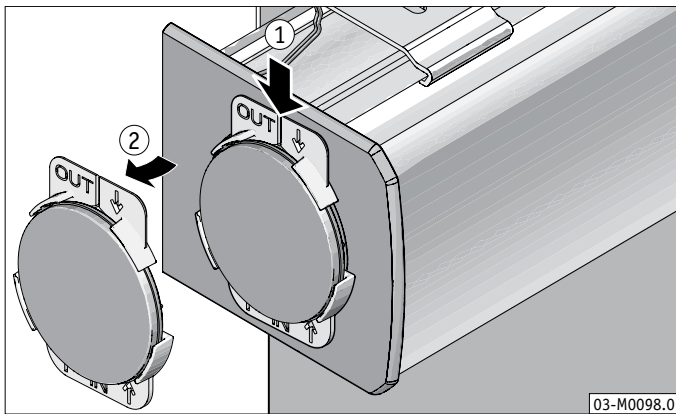
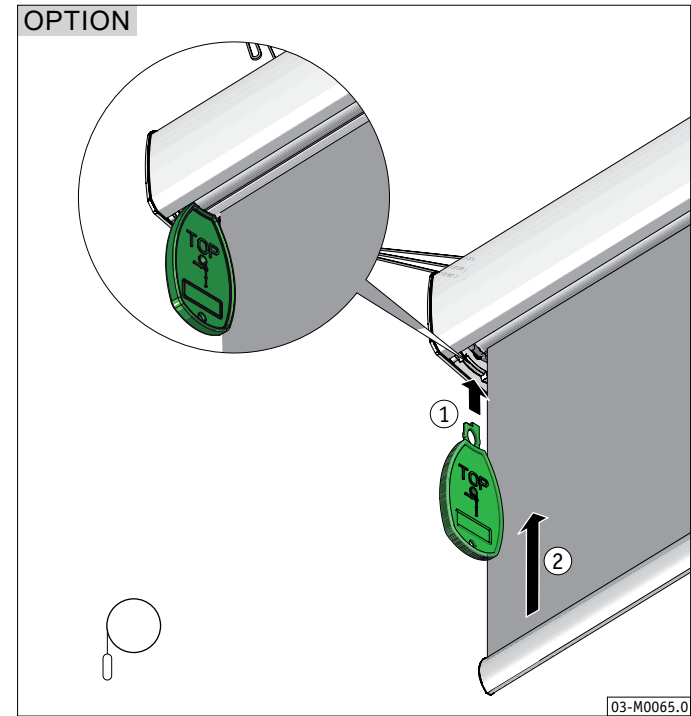
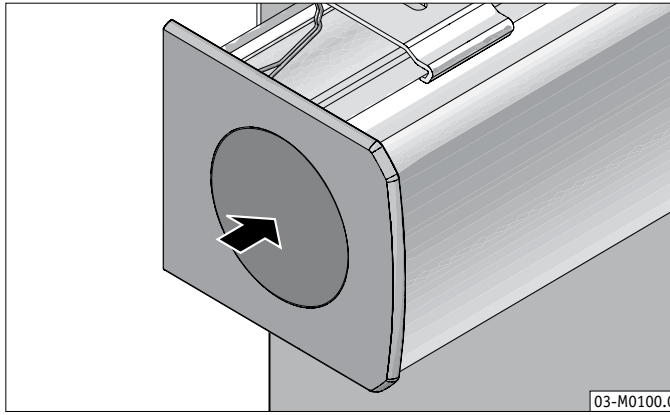
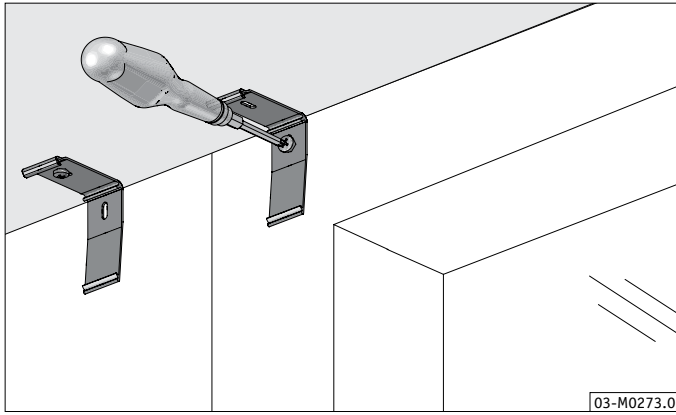
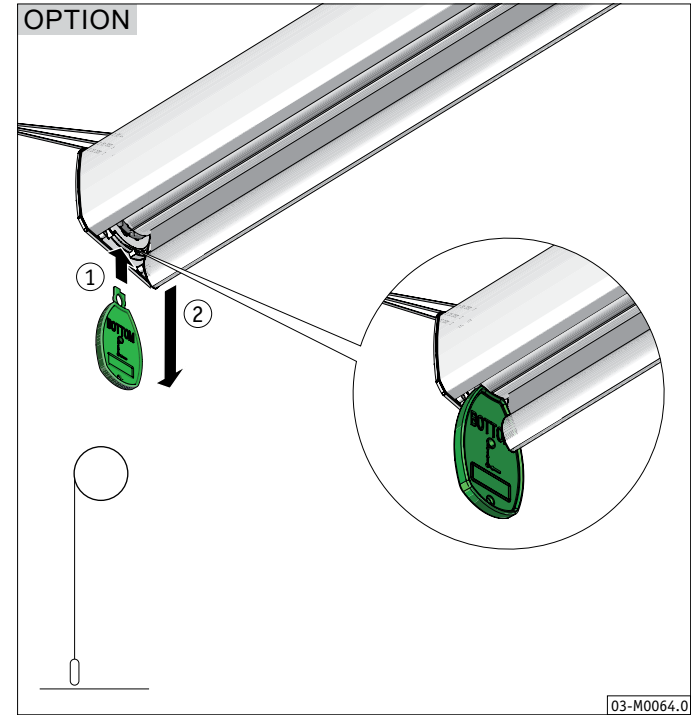
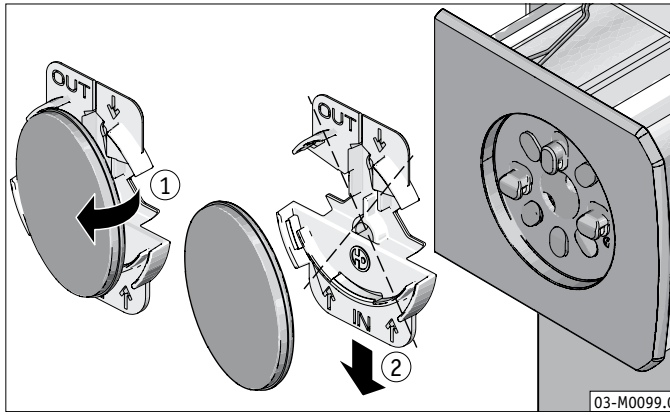
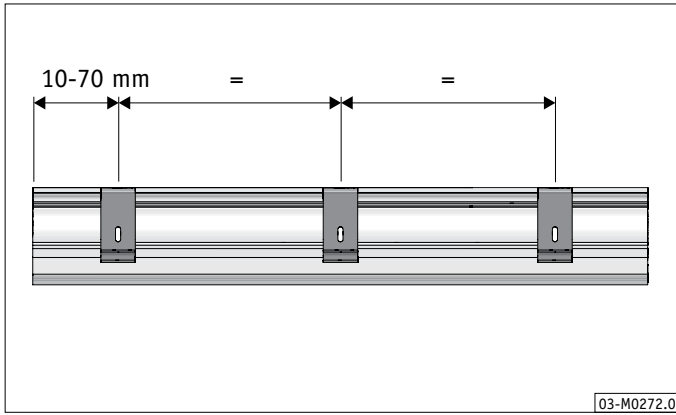




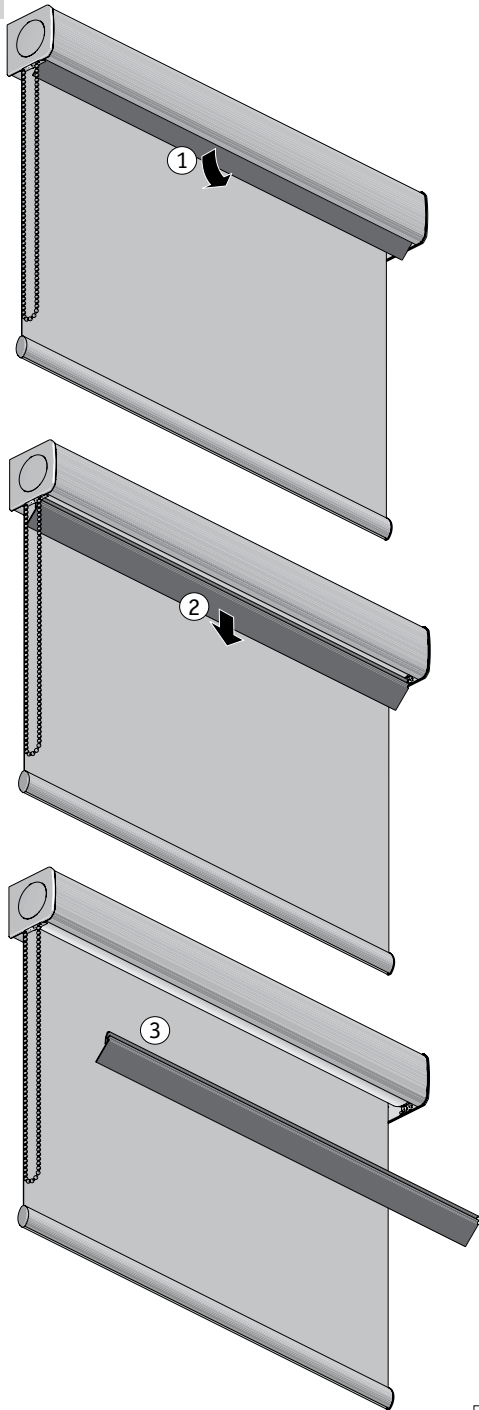


**i** **Installation Instruction**  
Roller Blind EOS® 500 Xcel  
Cassette S1&S2  
M25T Motor Operated  
Type 566&586



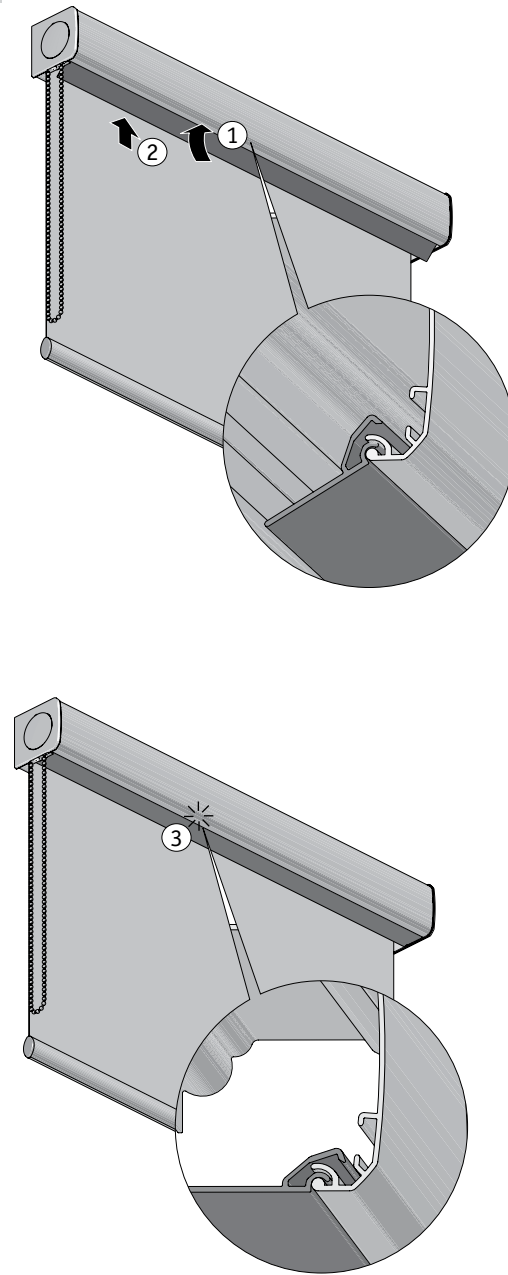


OPTION



03-M0279.0

OPTION



03-M0280.0



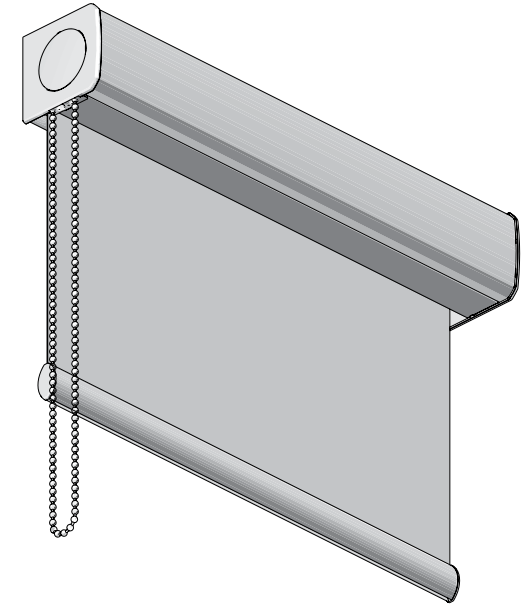
## Installation Instruction

Roller Blind EOS® 500 Xcel

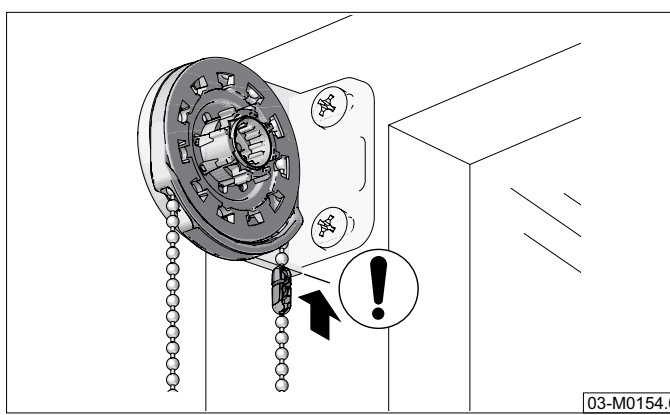
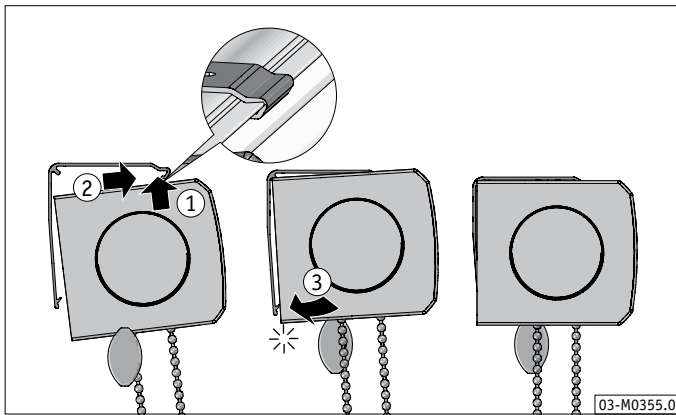
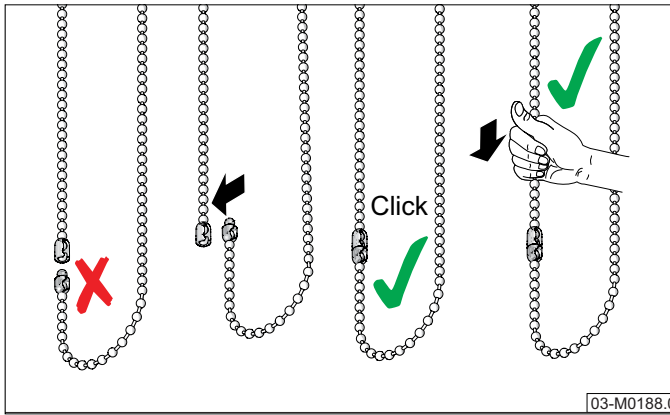
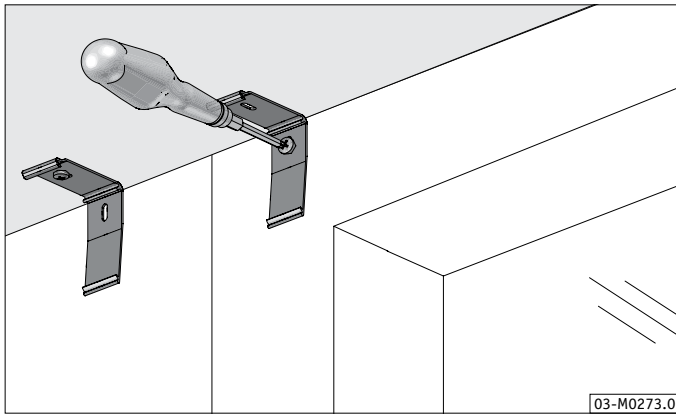
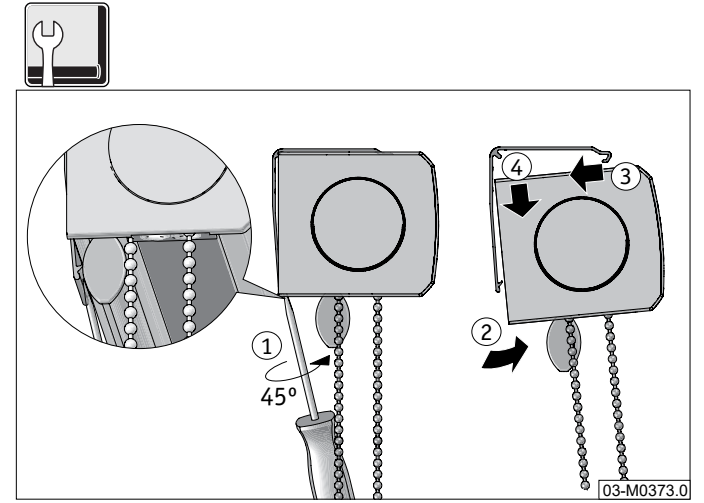
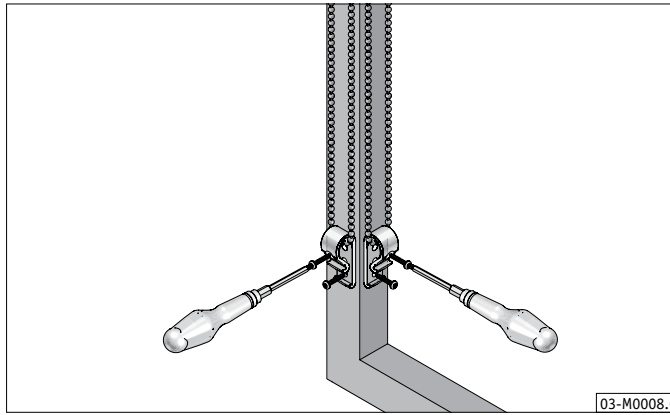
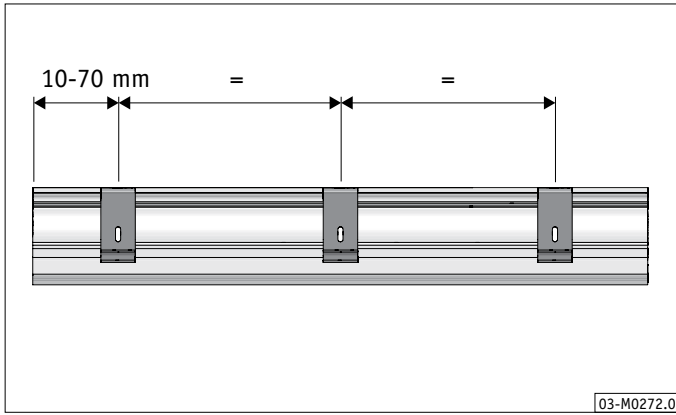
Cassette S1&S2

Chain Operated

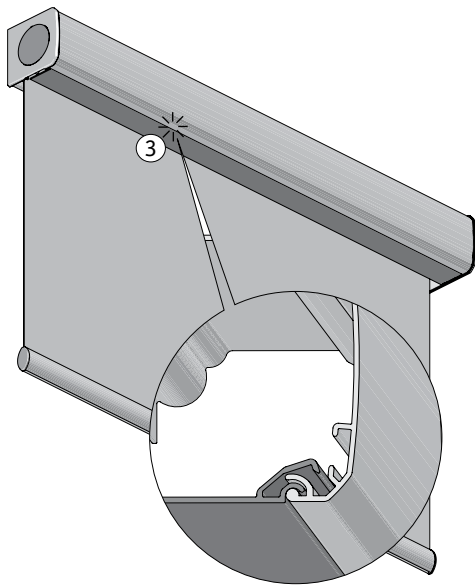
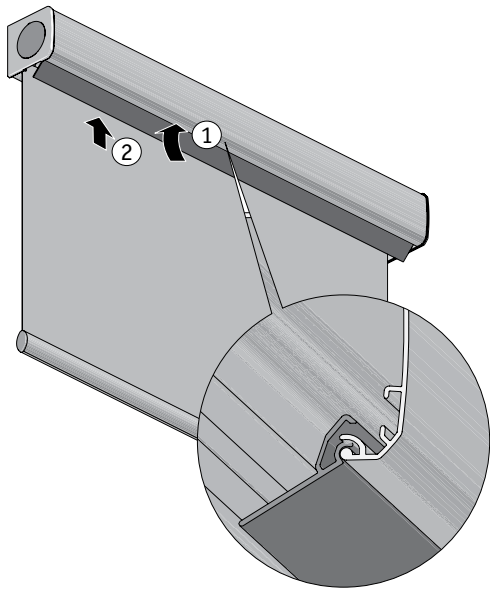
Type 571&591





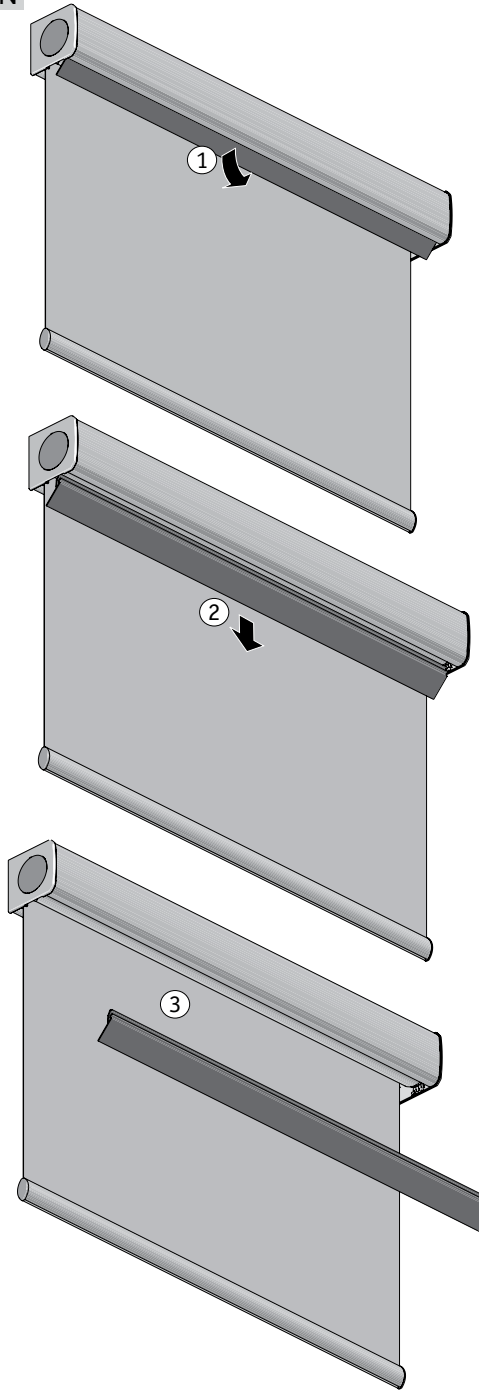


OPTION



03-M0360.0

OPTION



03-M0358.0



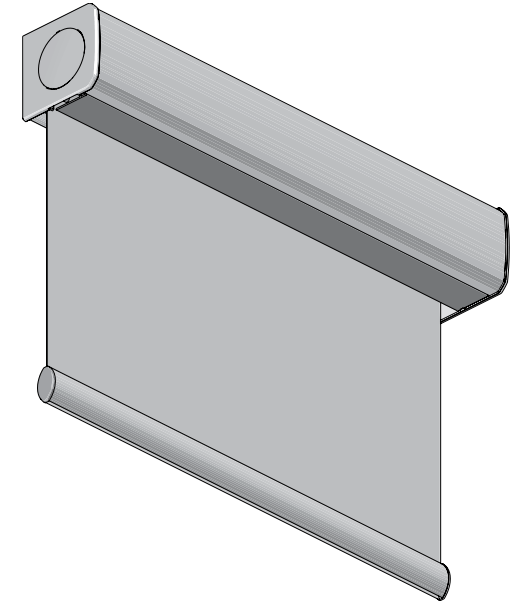
## Installation Instruction

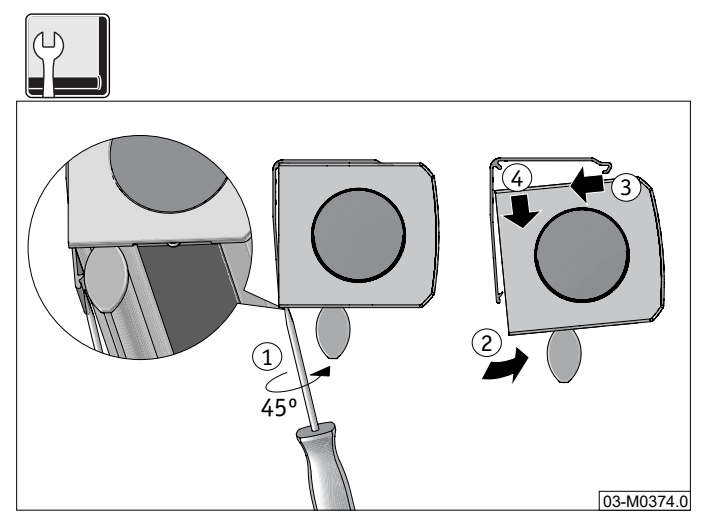
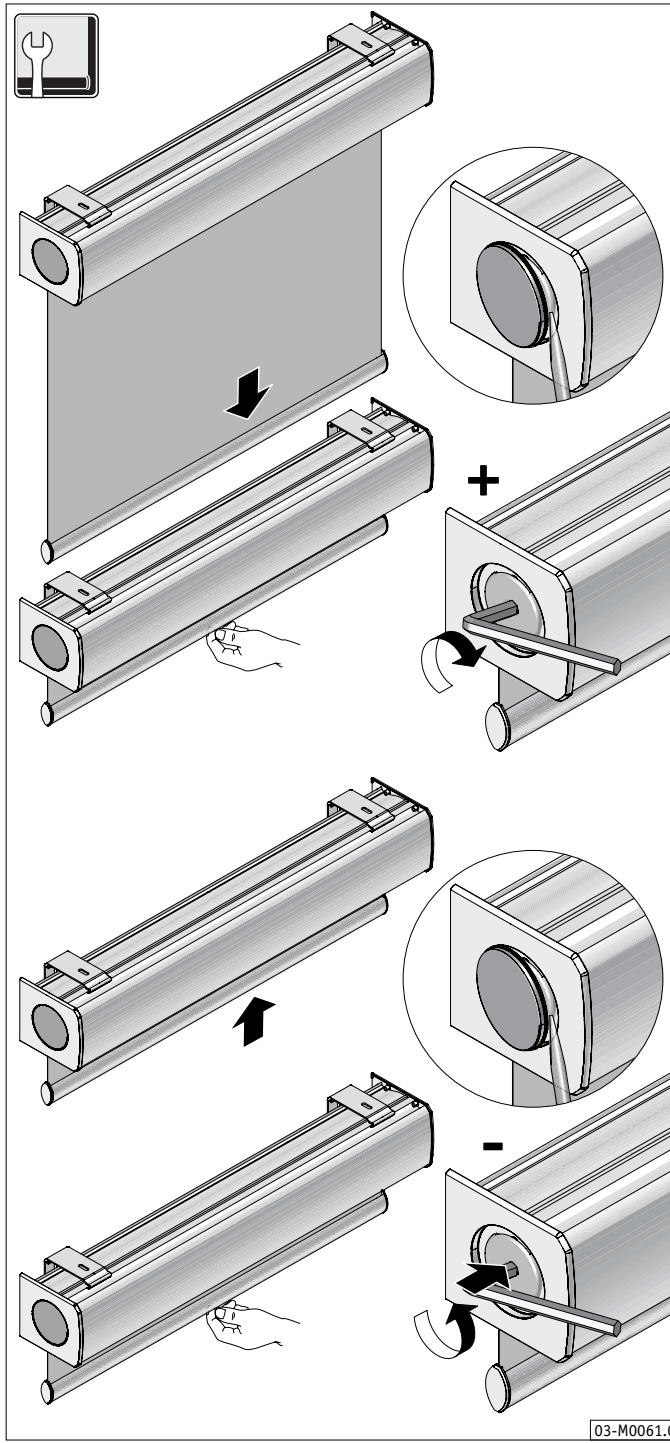
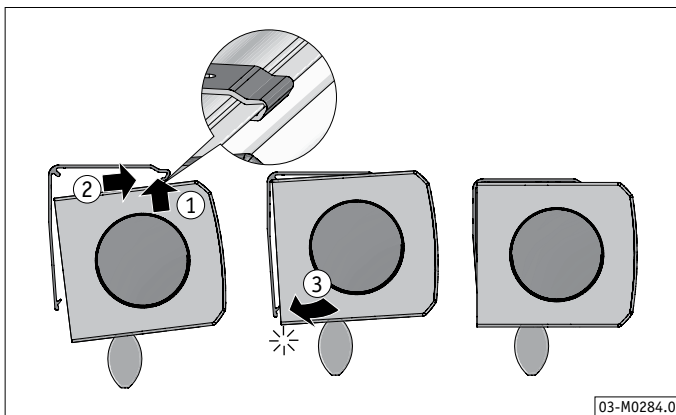
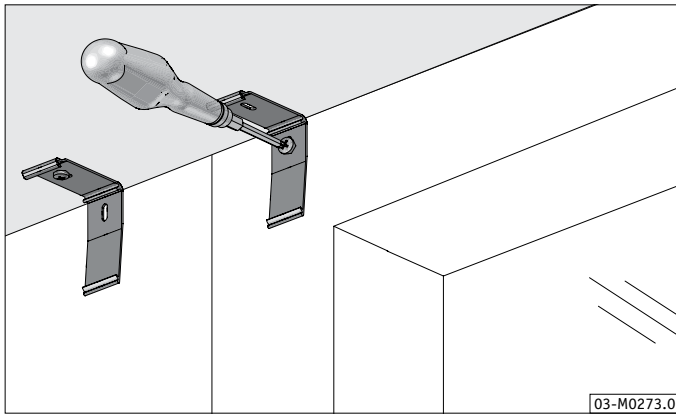
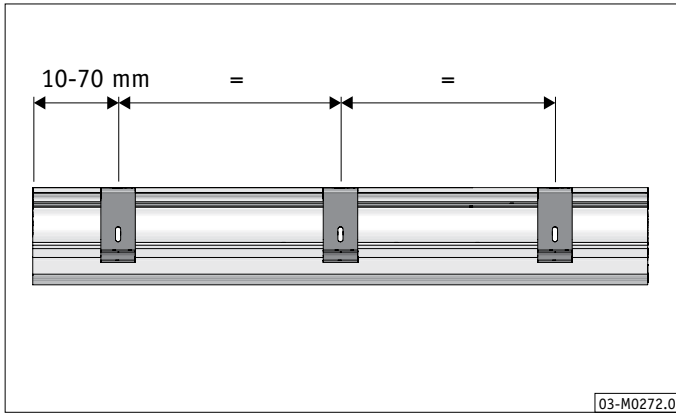
Roller Blind EOS® 500 Xcel

Cassette S1&S2

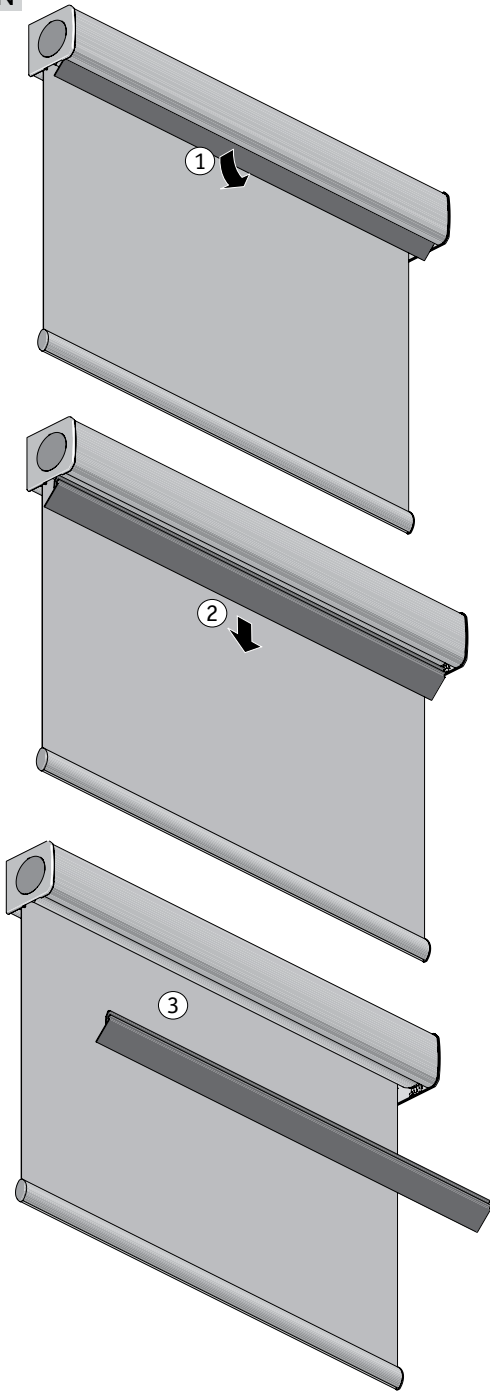
Lite Rise® Operated

Type 574&594



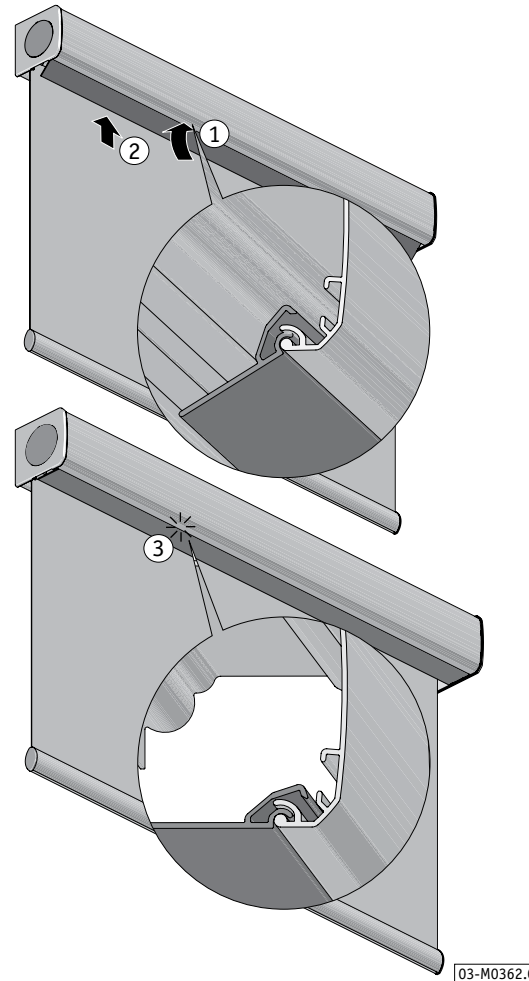


OPTION

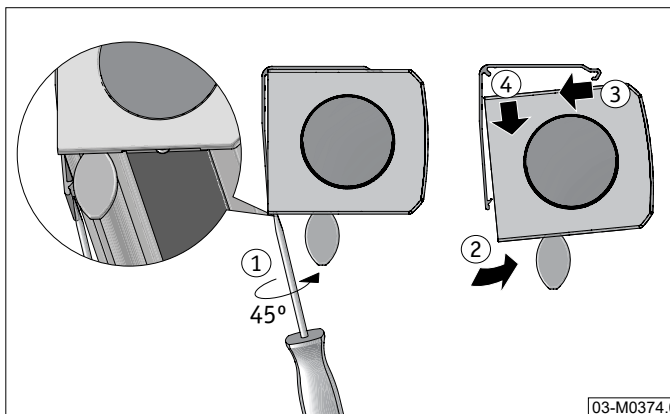


03-M0358.0

OPTION



03-M0362.0



03-M0374.0



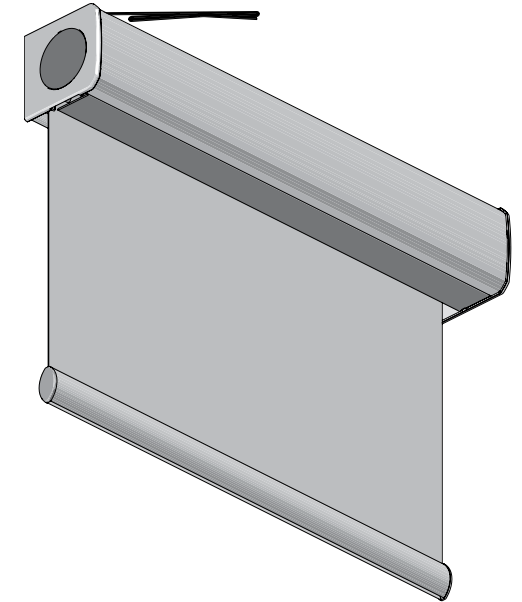
# Installation Instruction

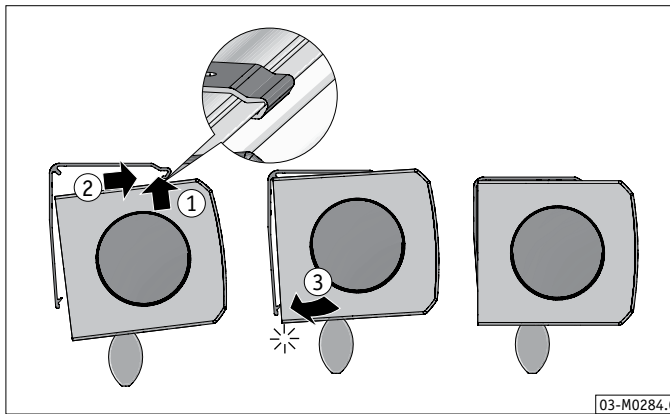
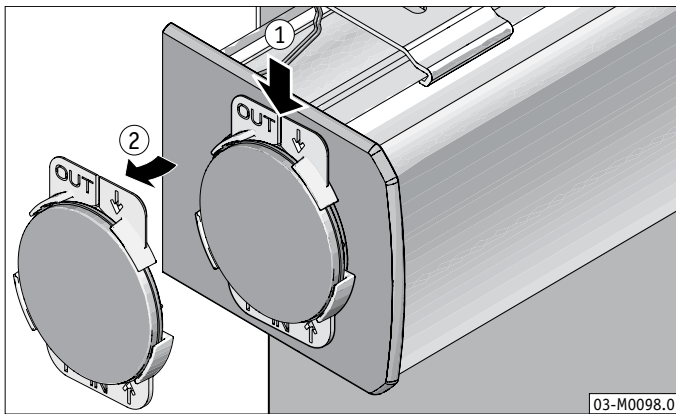
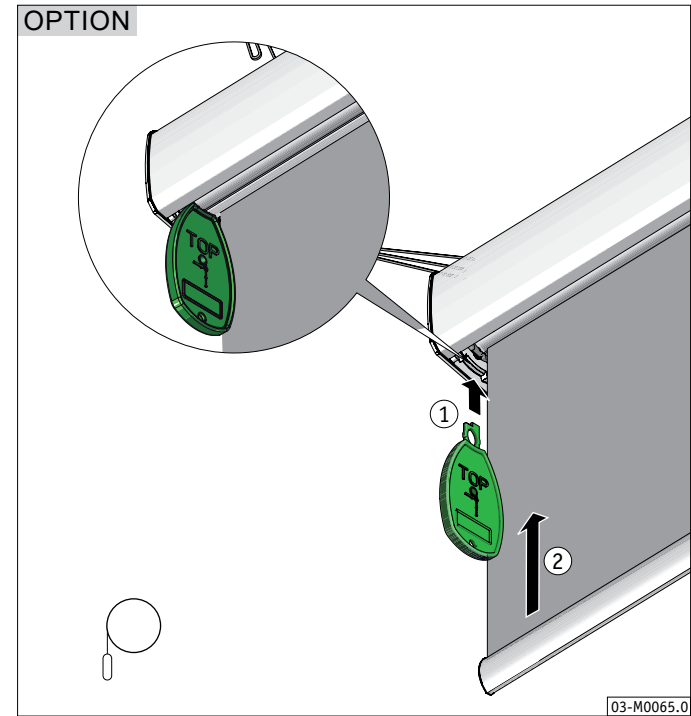
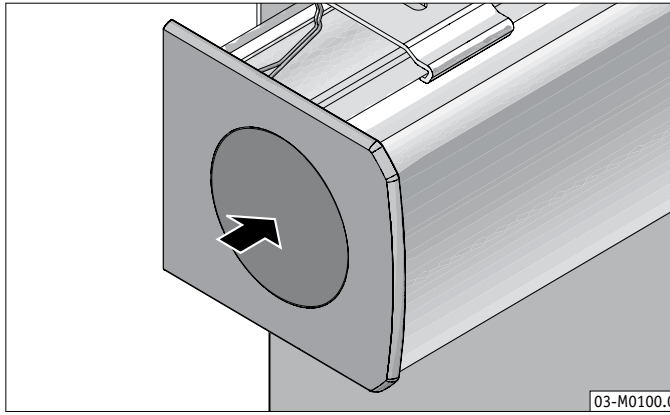
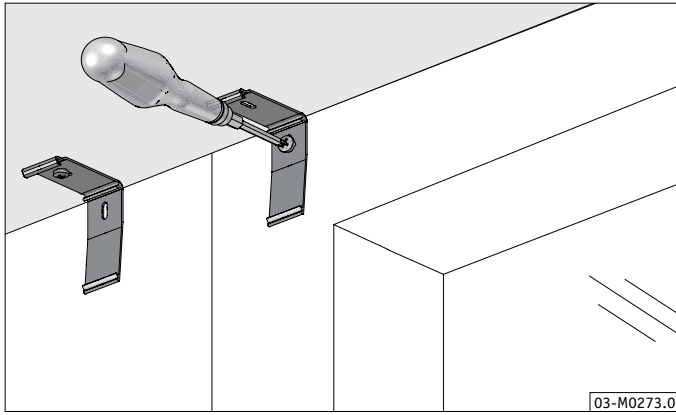
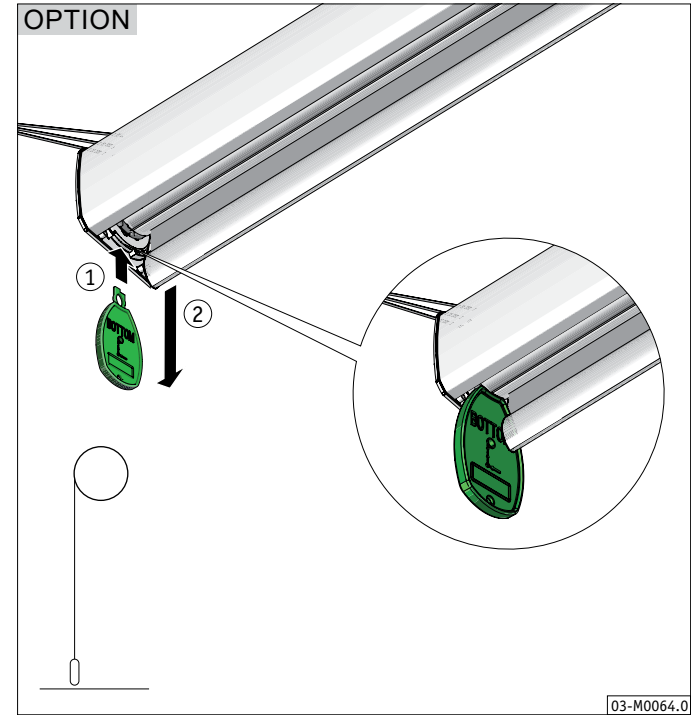
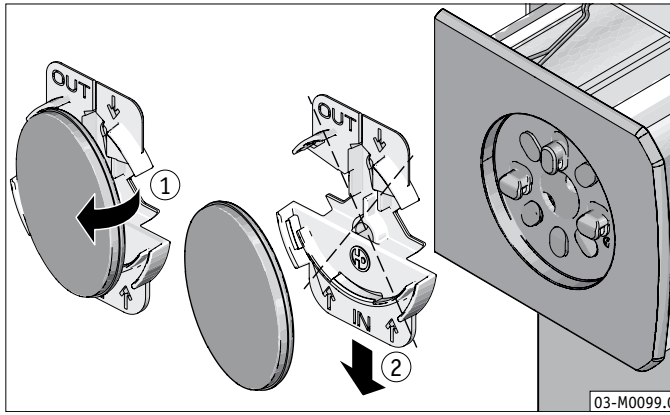
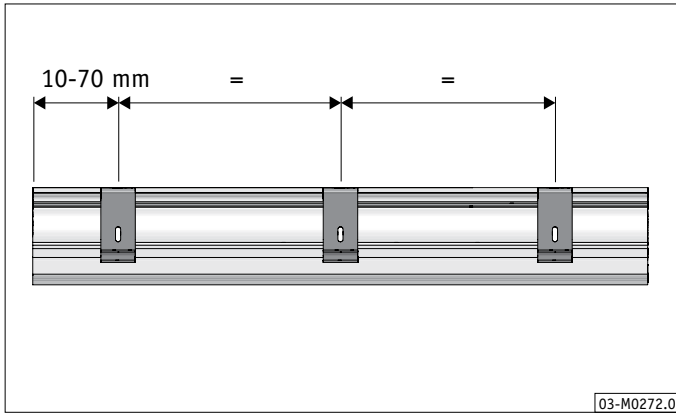
Roller Blind EOS® 500 Xcel

Cassette S1&S2

M25T Motor Operated

Type 576&596







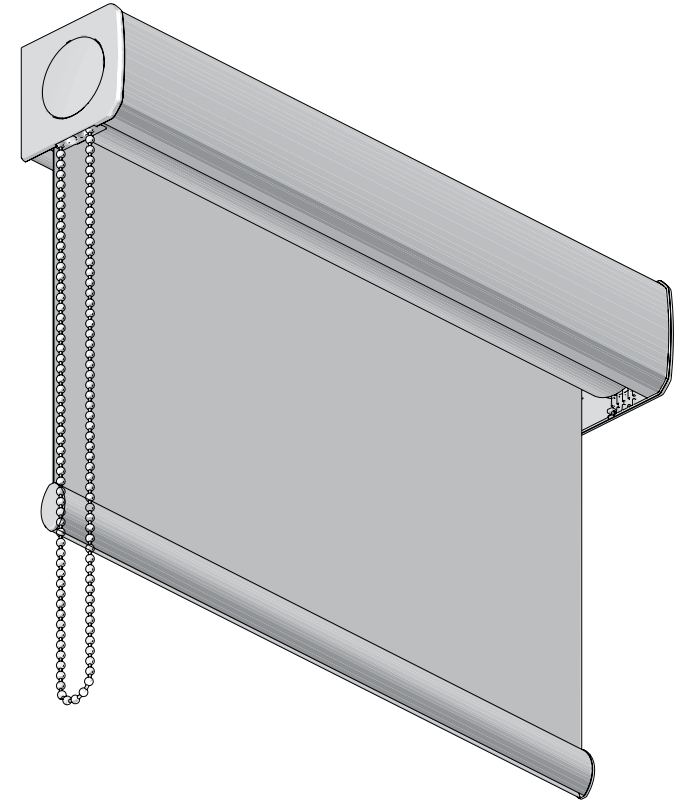
## Installation Instruction

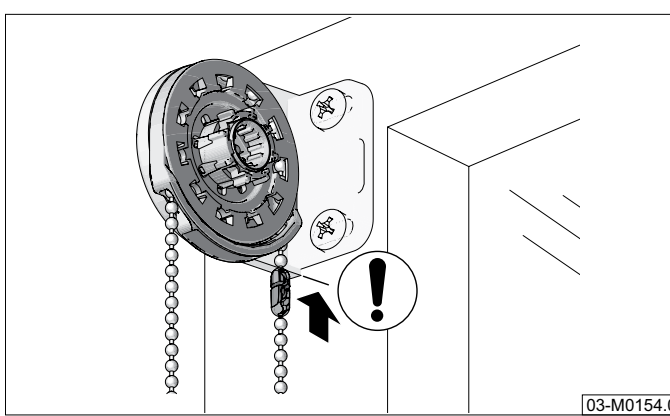
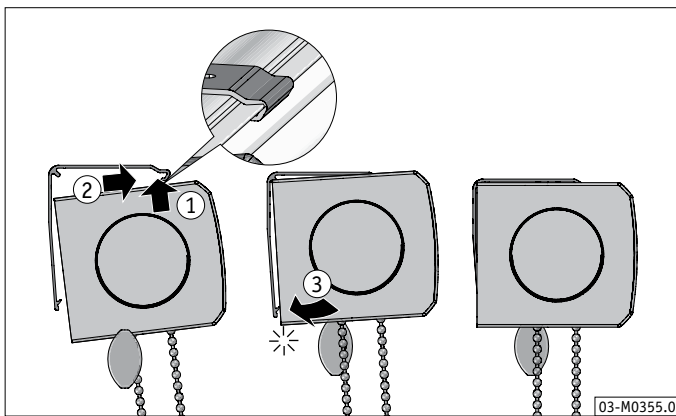
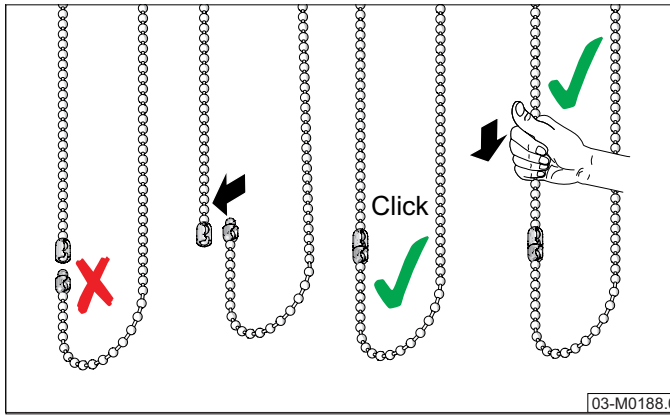
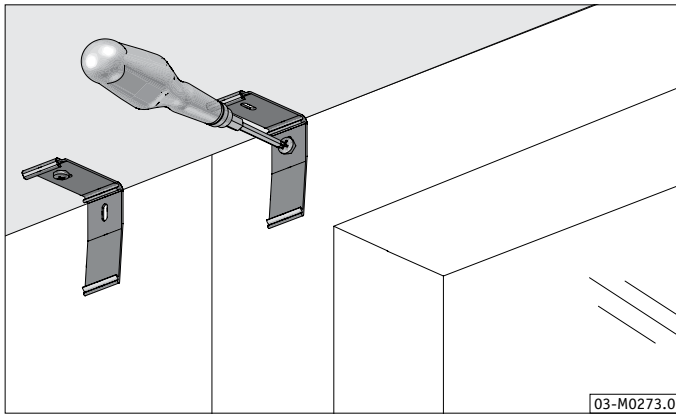
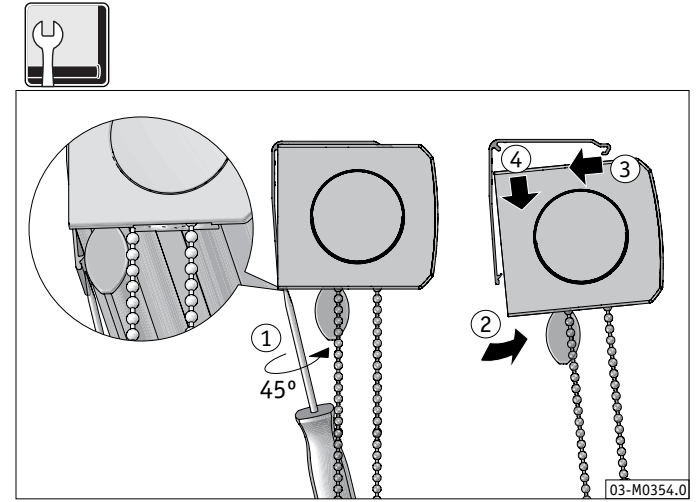
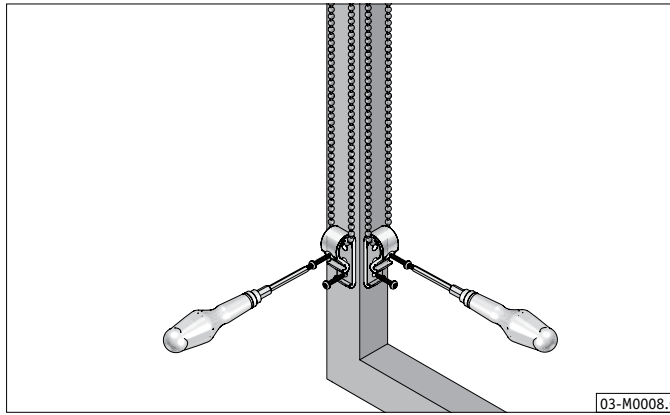
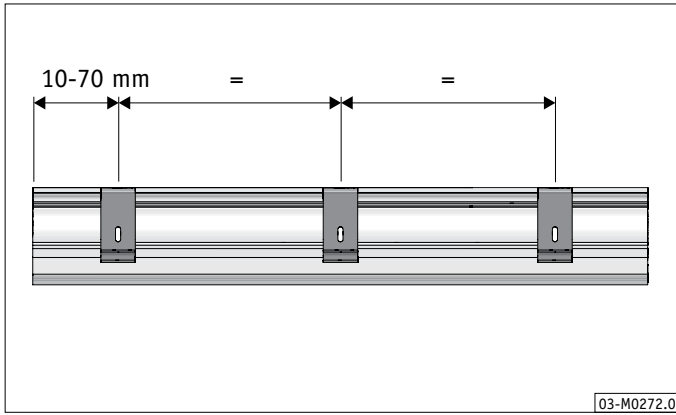
Roller Blind EOS® 500 Xcel

Cassette S3

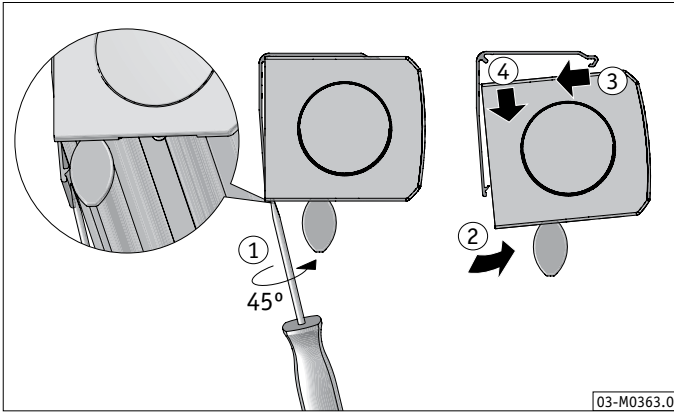
Chain Operated

Type 681

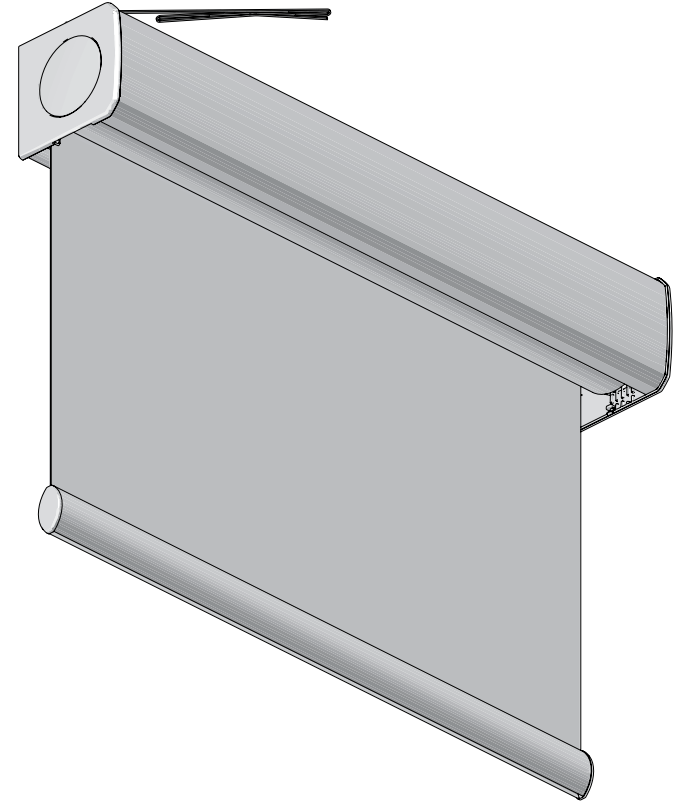




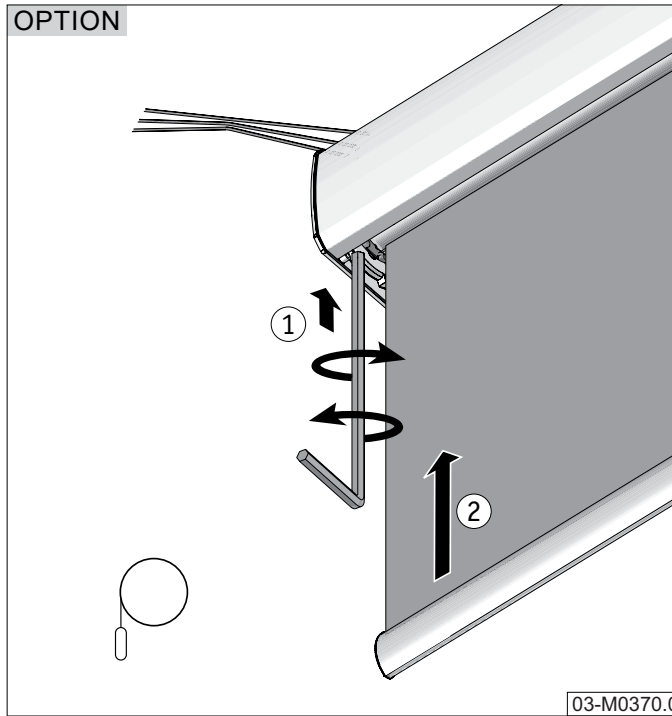
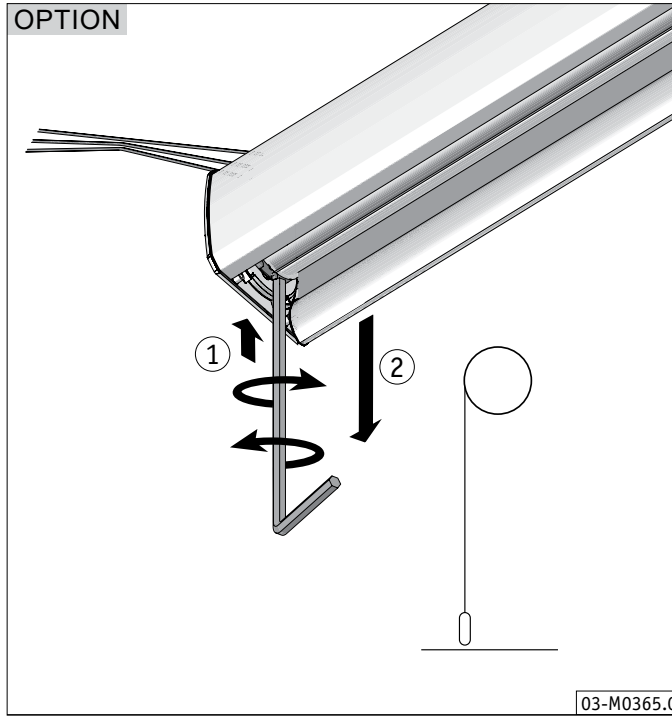
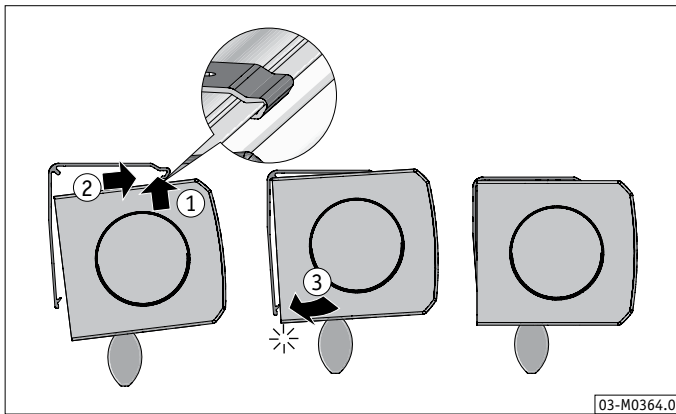
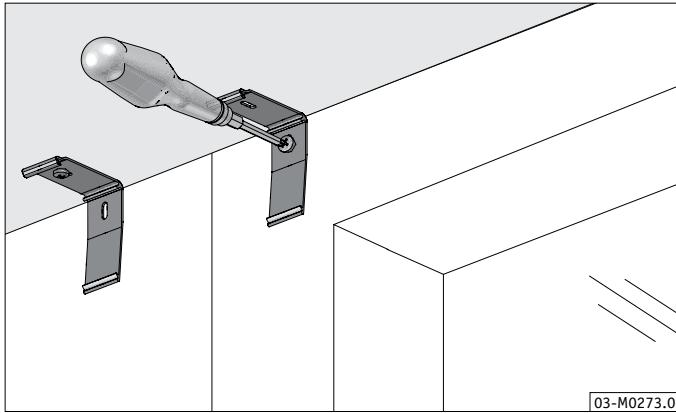
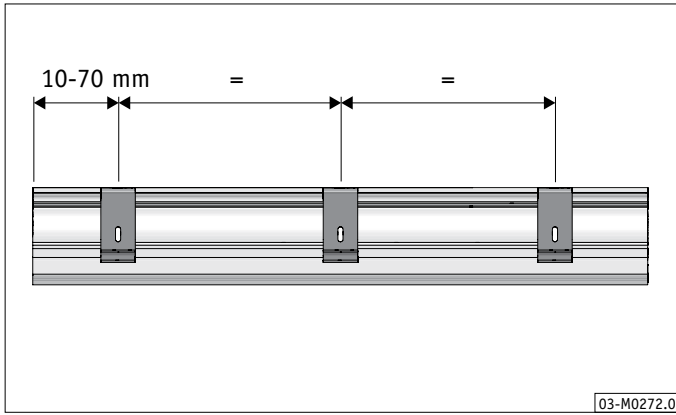




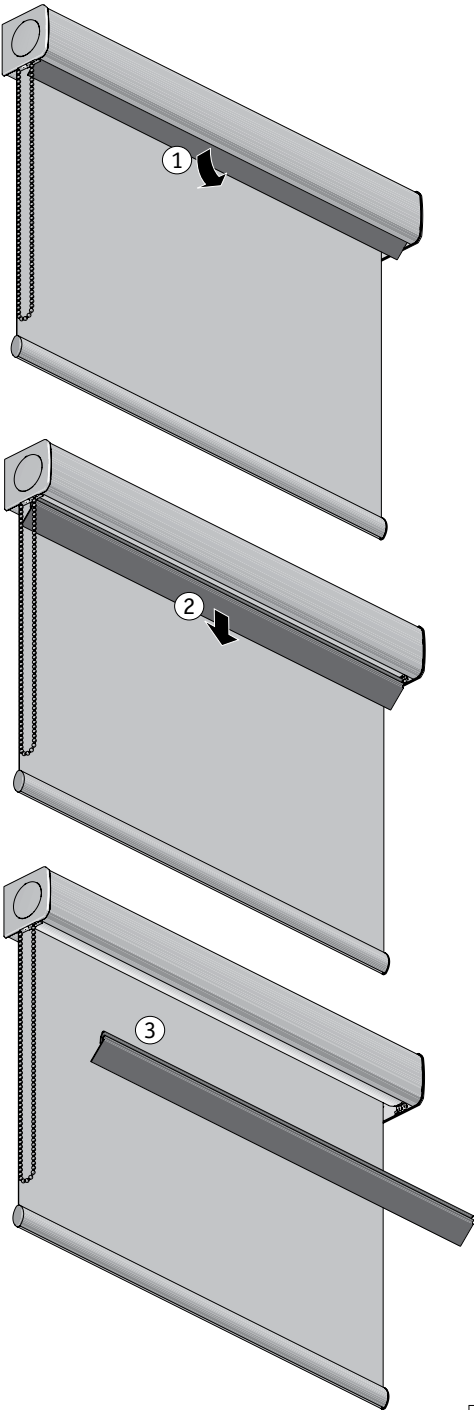
**i** **Installation Instruction**  
Roller Blind EOS® 500 Xcel  
Cassette S3  
M40T Motor Operated  
Type 686





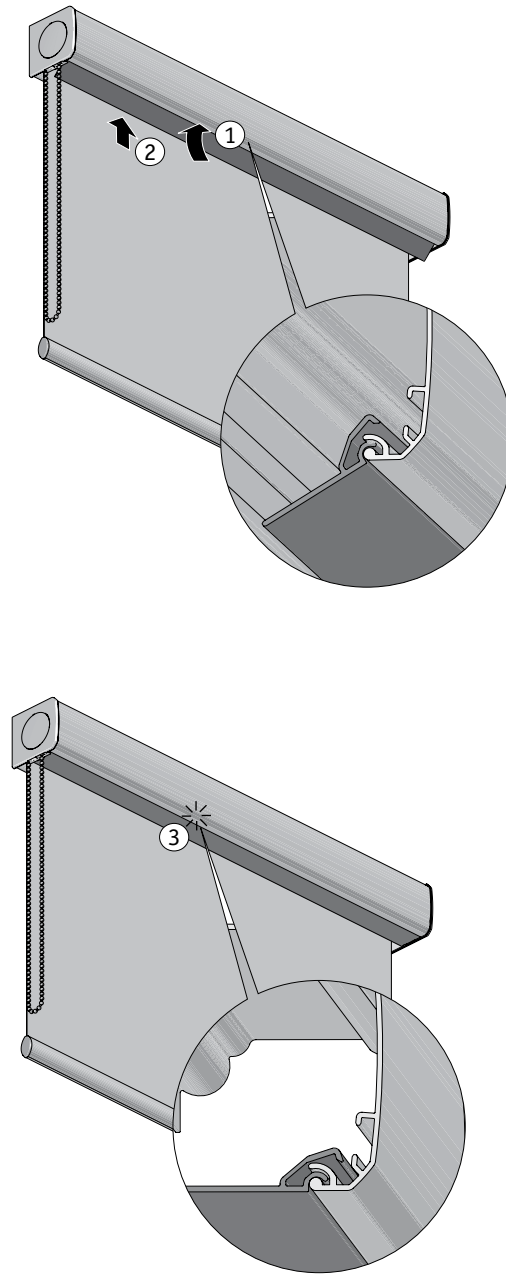


OPTION



03-M0279.0

OPTION



03-M0280.0



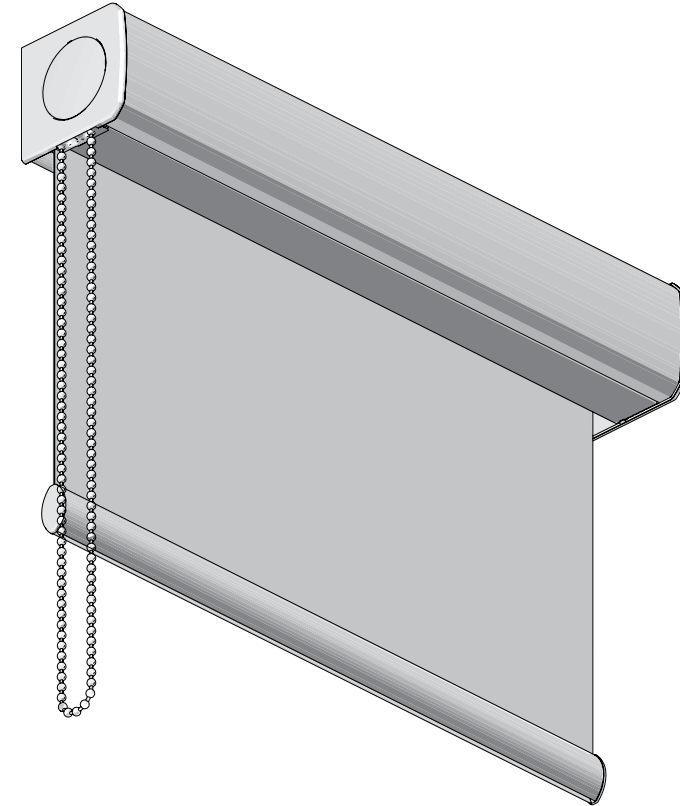
## Installation Instruction

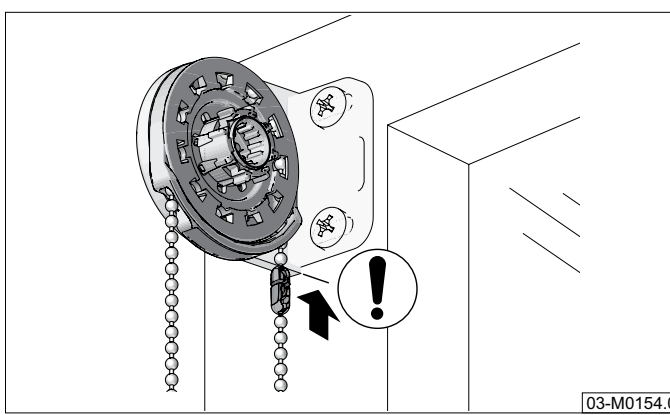
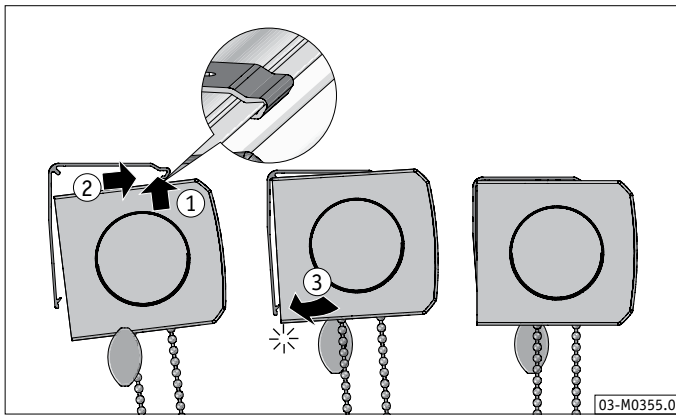
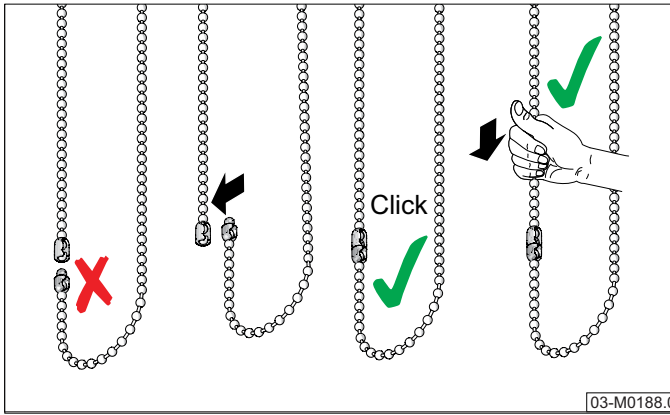
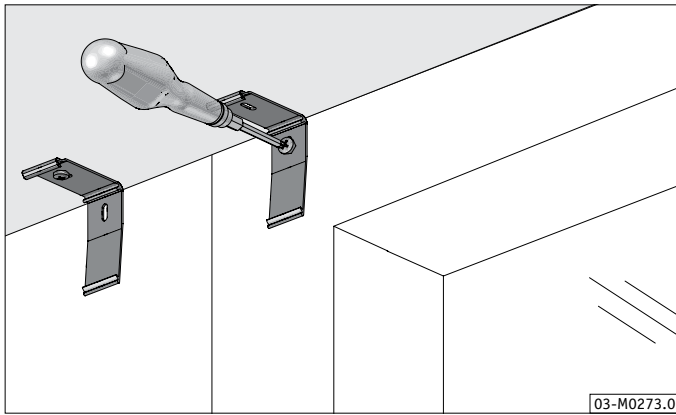
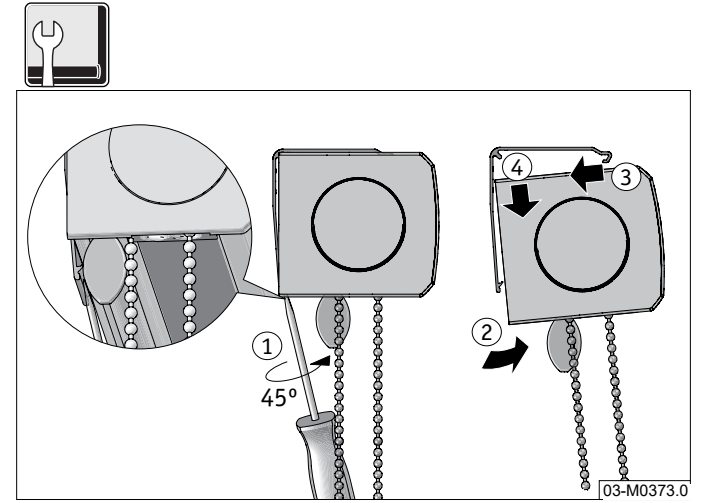
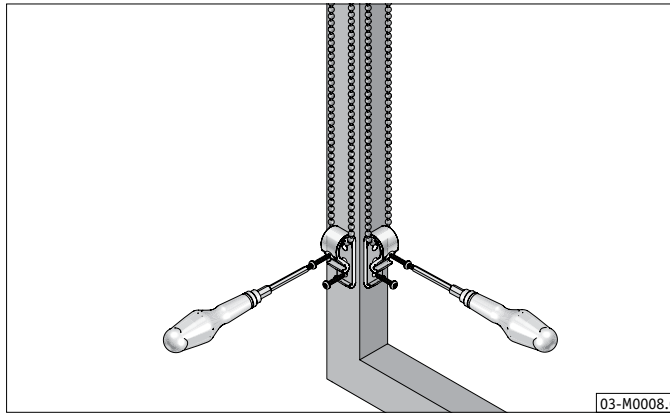
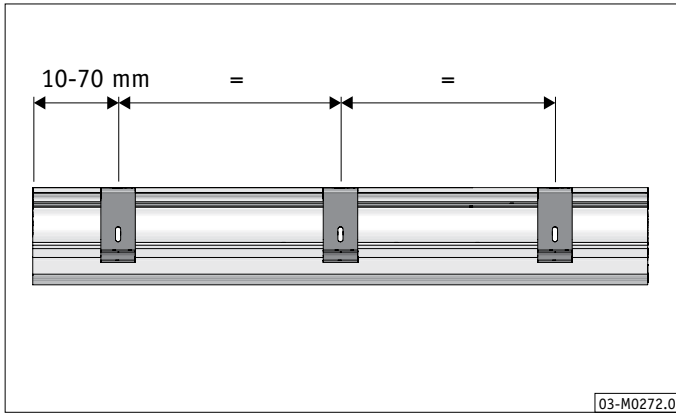
Roller Blind EOS® 500 Xcel

Cassette S3

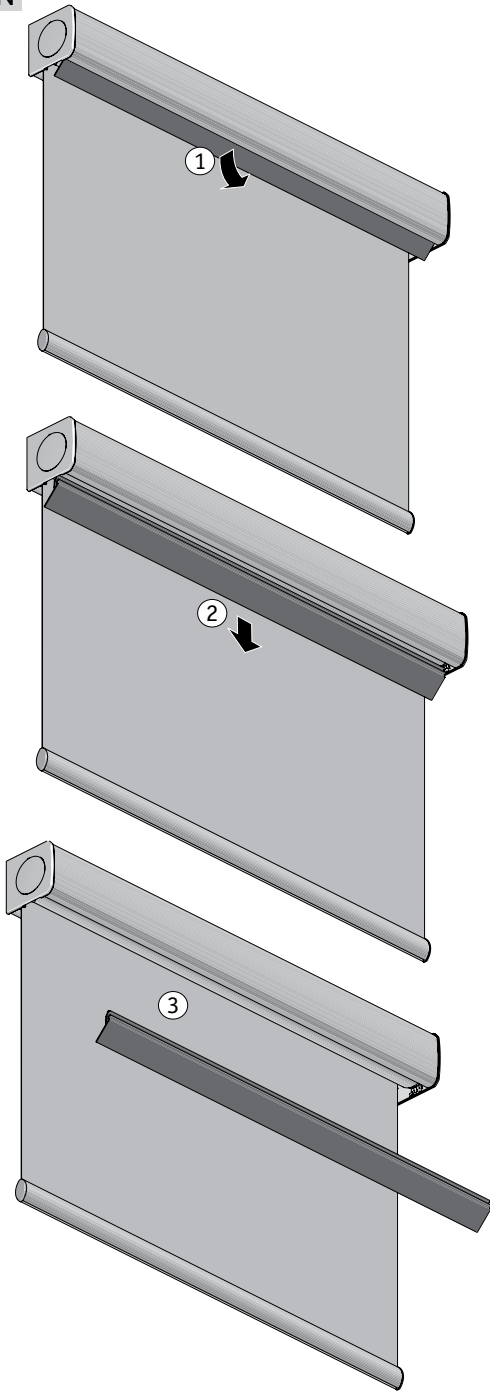
Chain Operated

Type 691



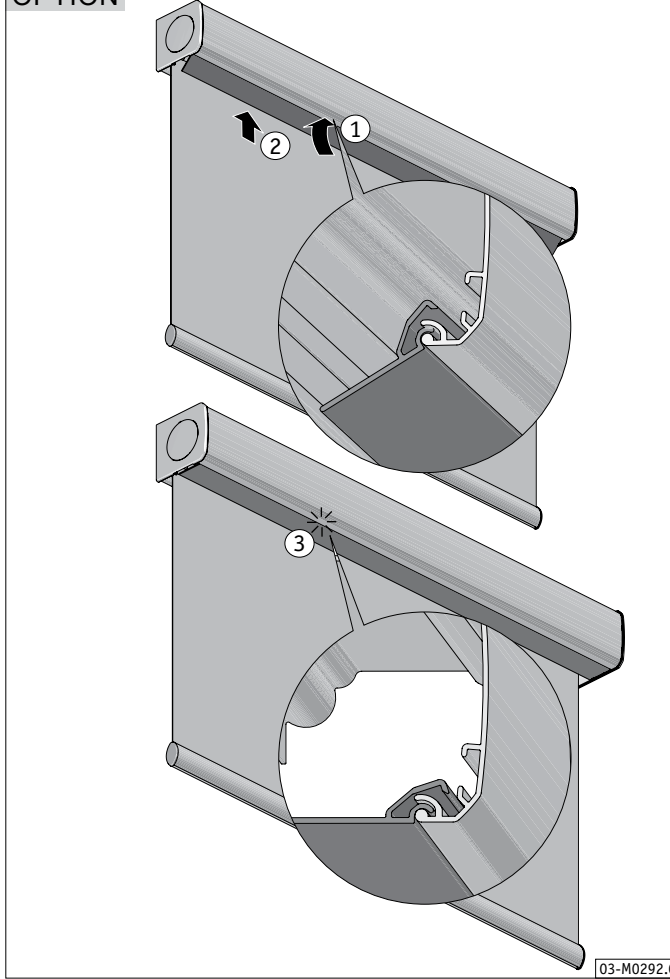


OPTION

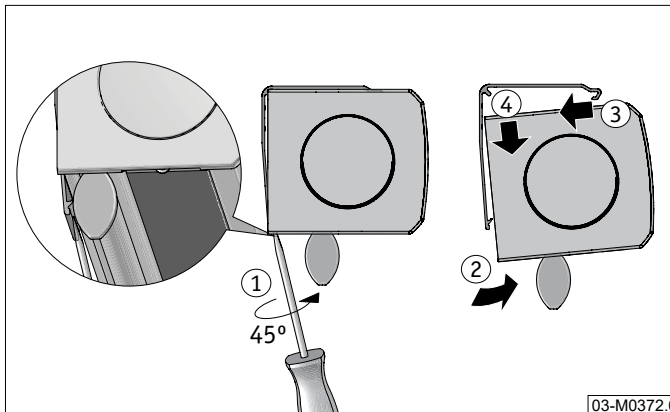


03-M0290.0

OPTION



03-M0292.0



03-M0372.0



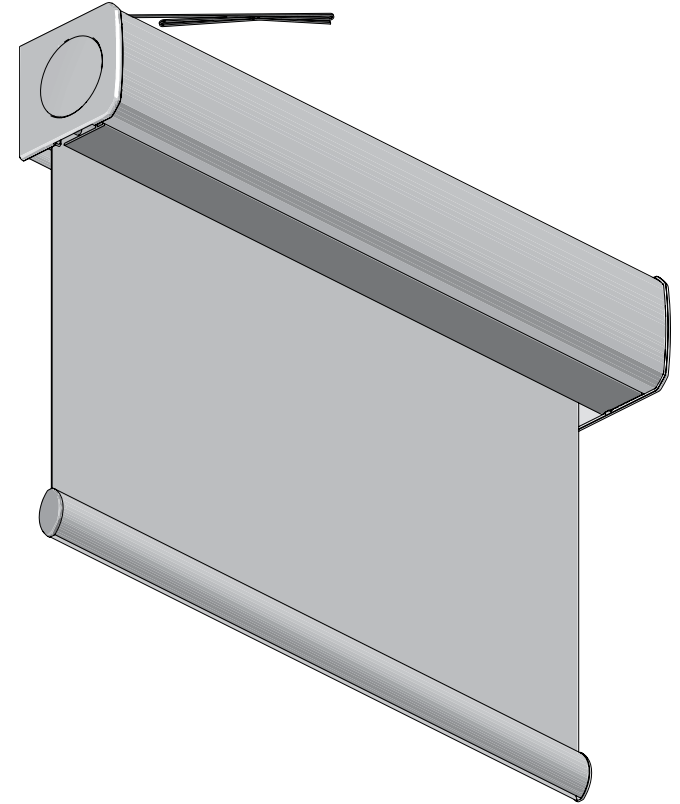
# Installation Instruction

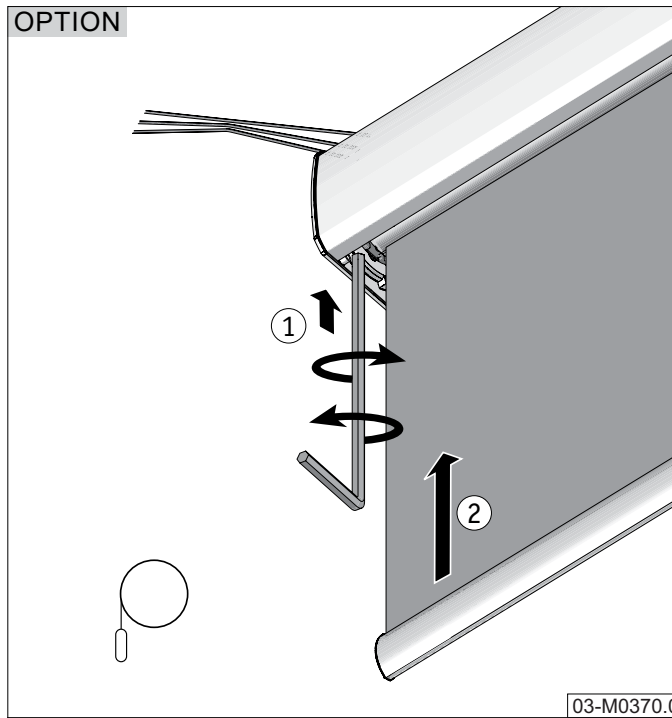
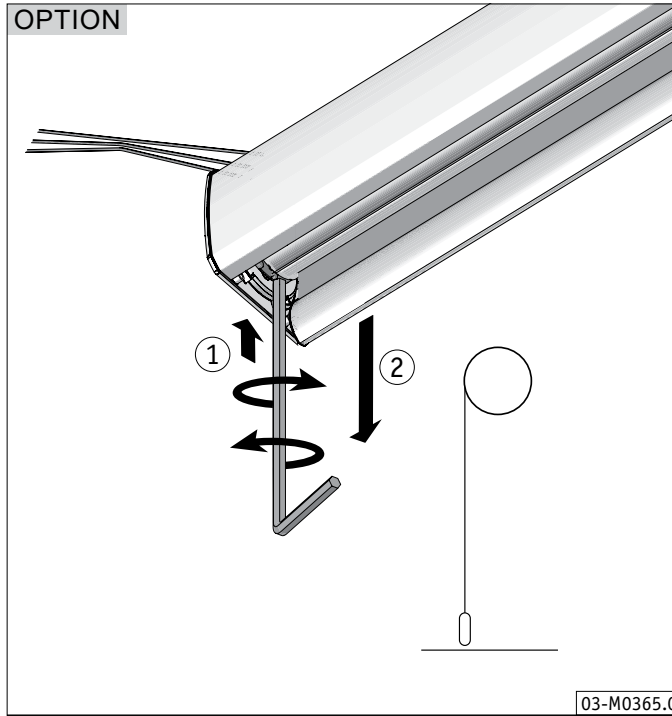
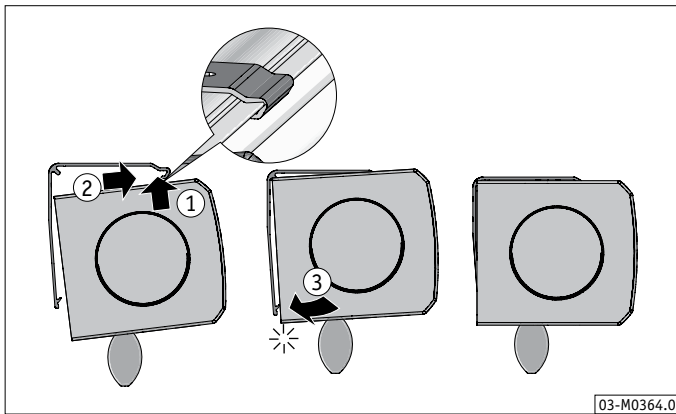
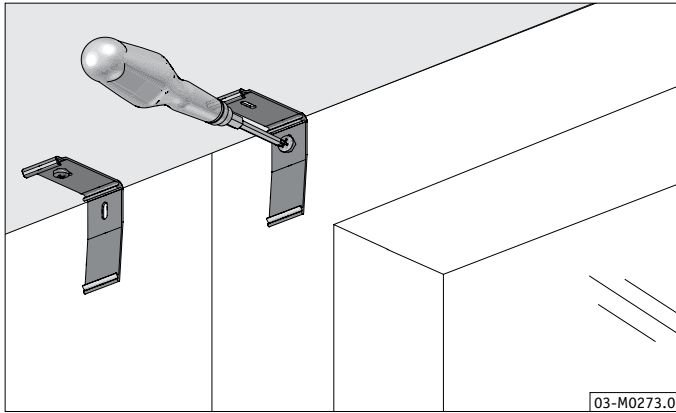
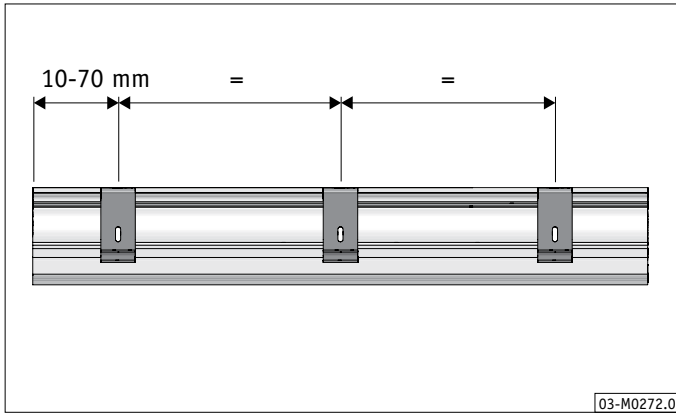
Roller Blind EOS® 500 Xcel

Cassette S3

M40T Motor Operated

Type 696





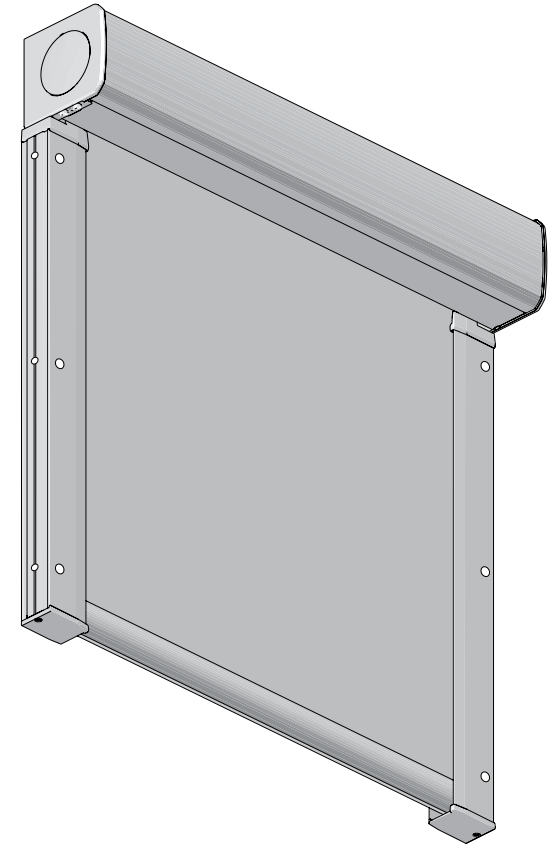


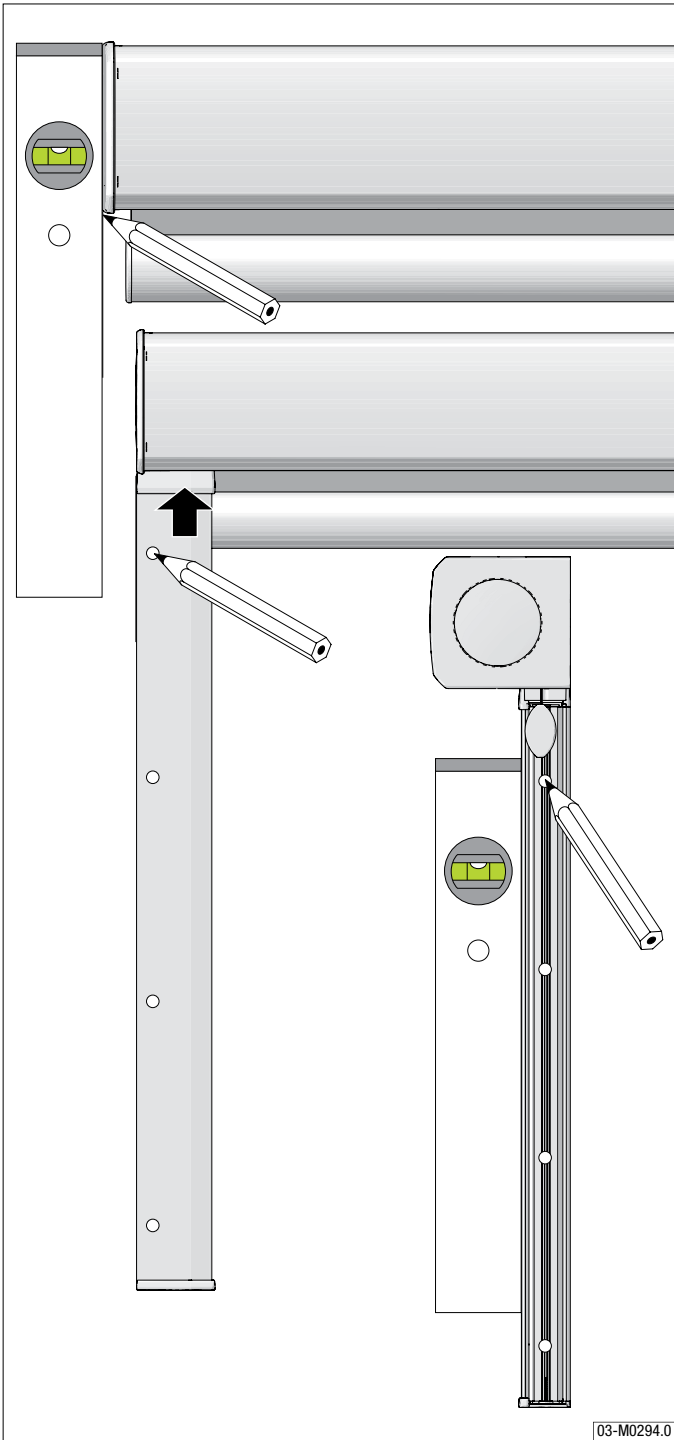
## Installation Instruction

Roller Blind EOS® 500 Xcel

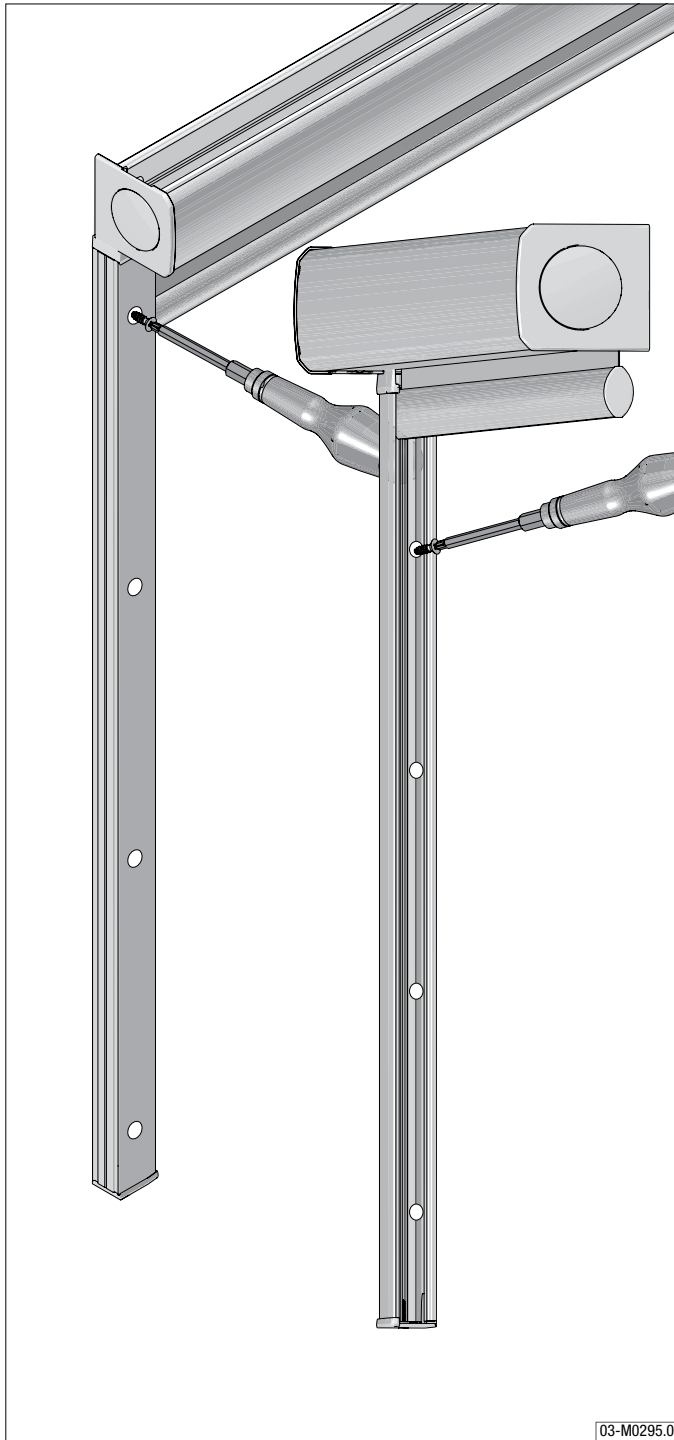
Side Channel Guiding

Type SCG 35 with screws

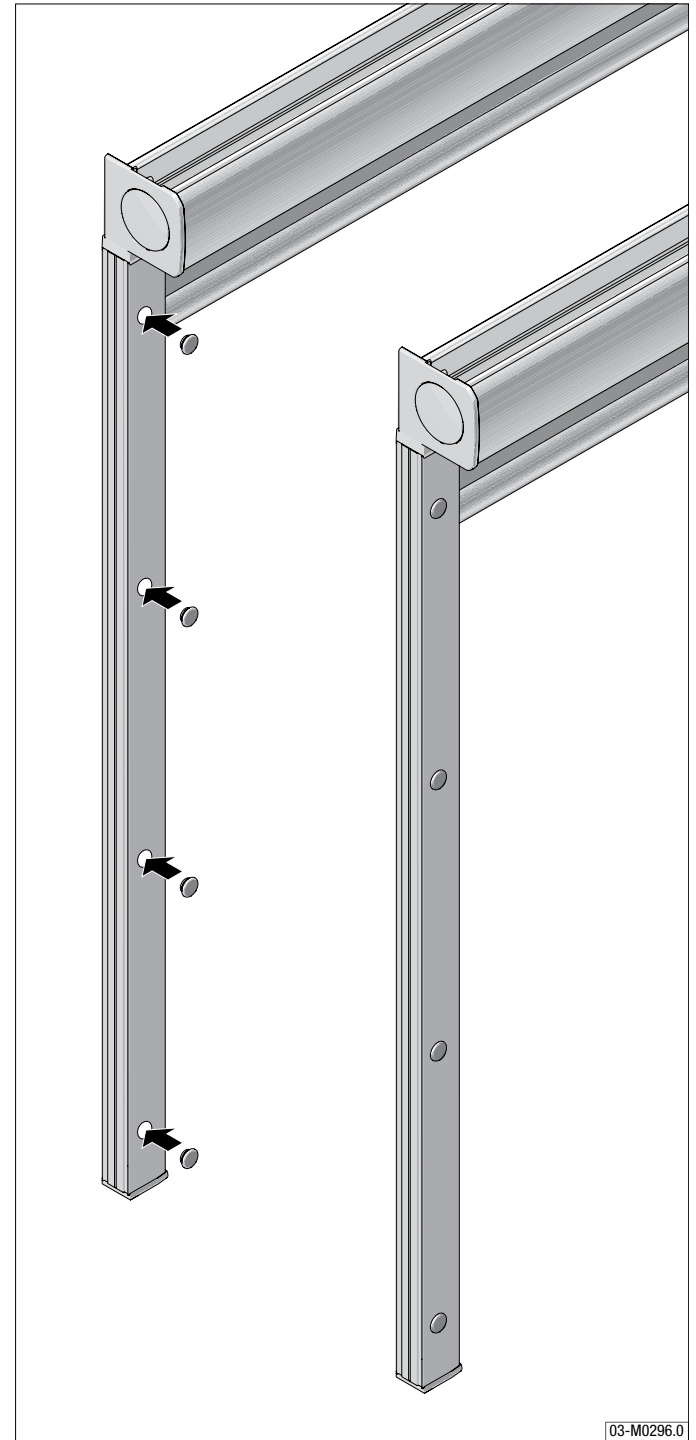




03-M0294.0



03-M0295.0



03-M0296.0

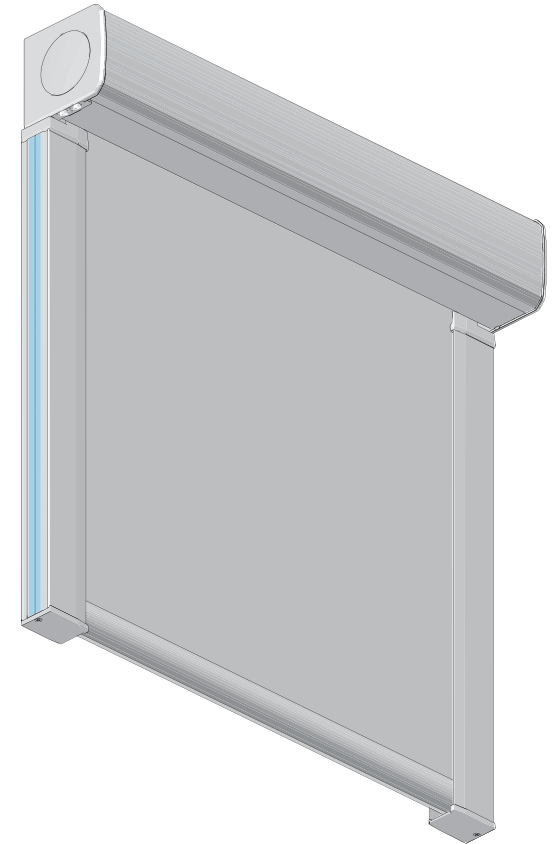


## Installation Instruction

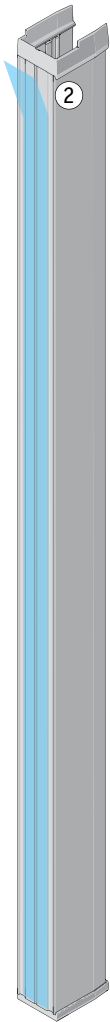
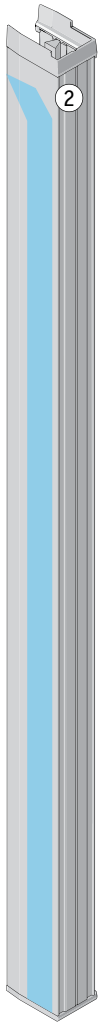
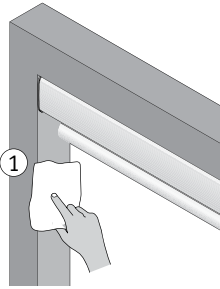
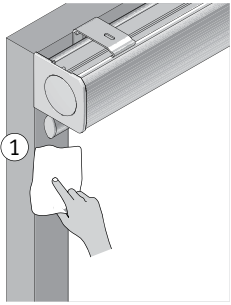
Roller Blind EOS® 500 Xcel

Side Channel Guiding

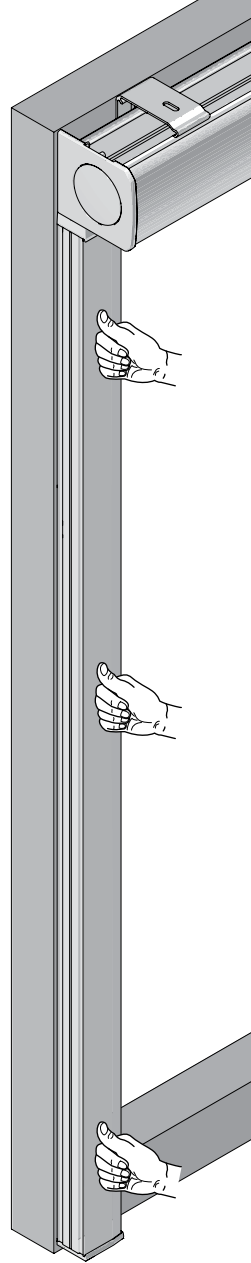
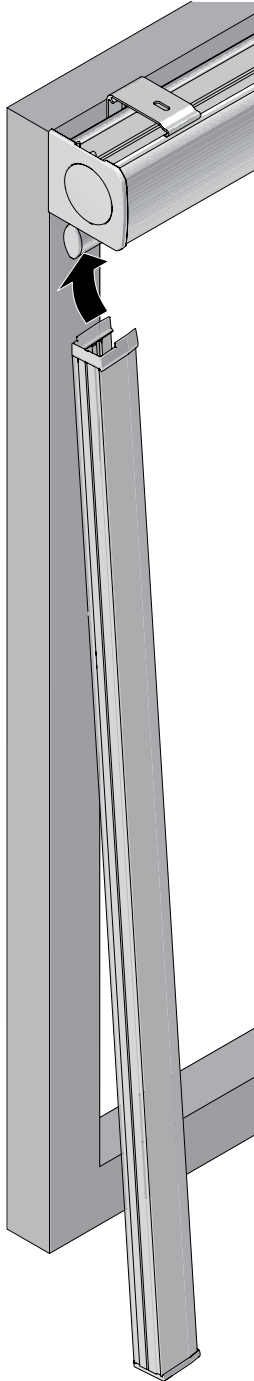
Type SCG 35 with tape



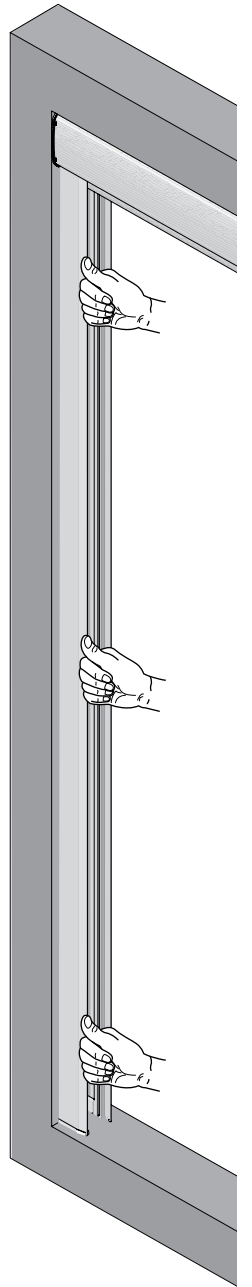
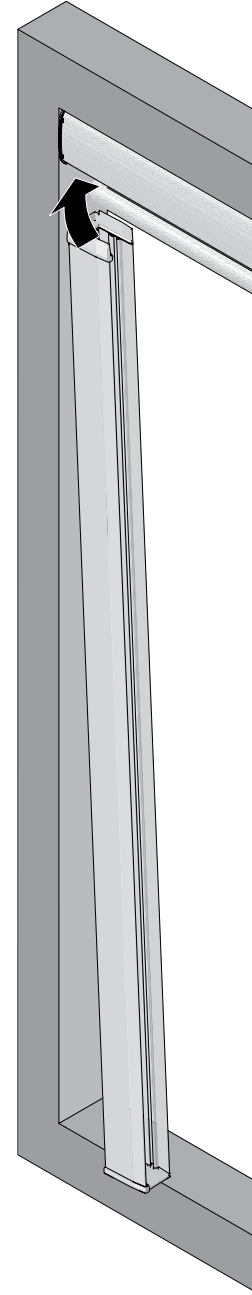




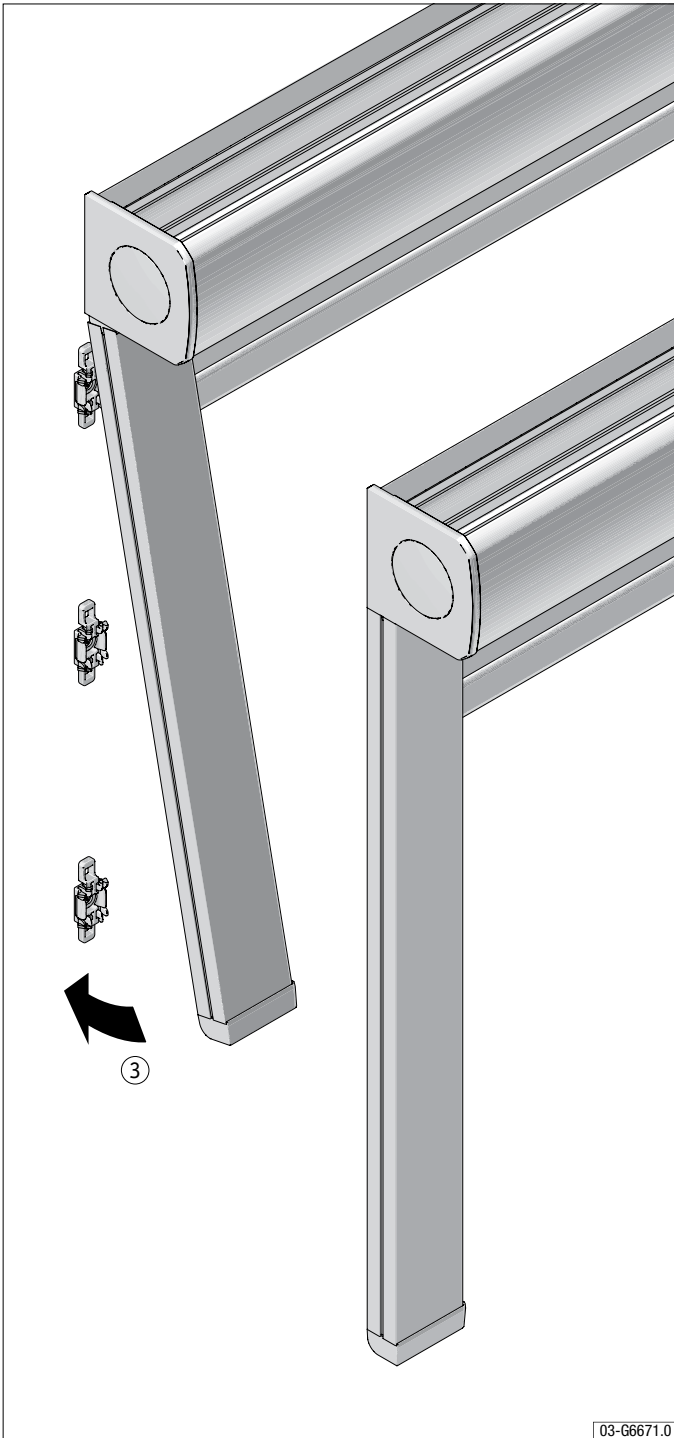
03-M0298.0



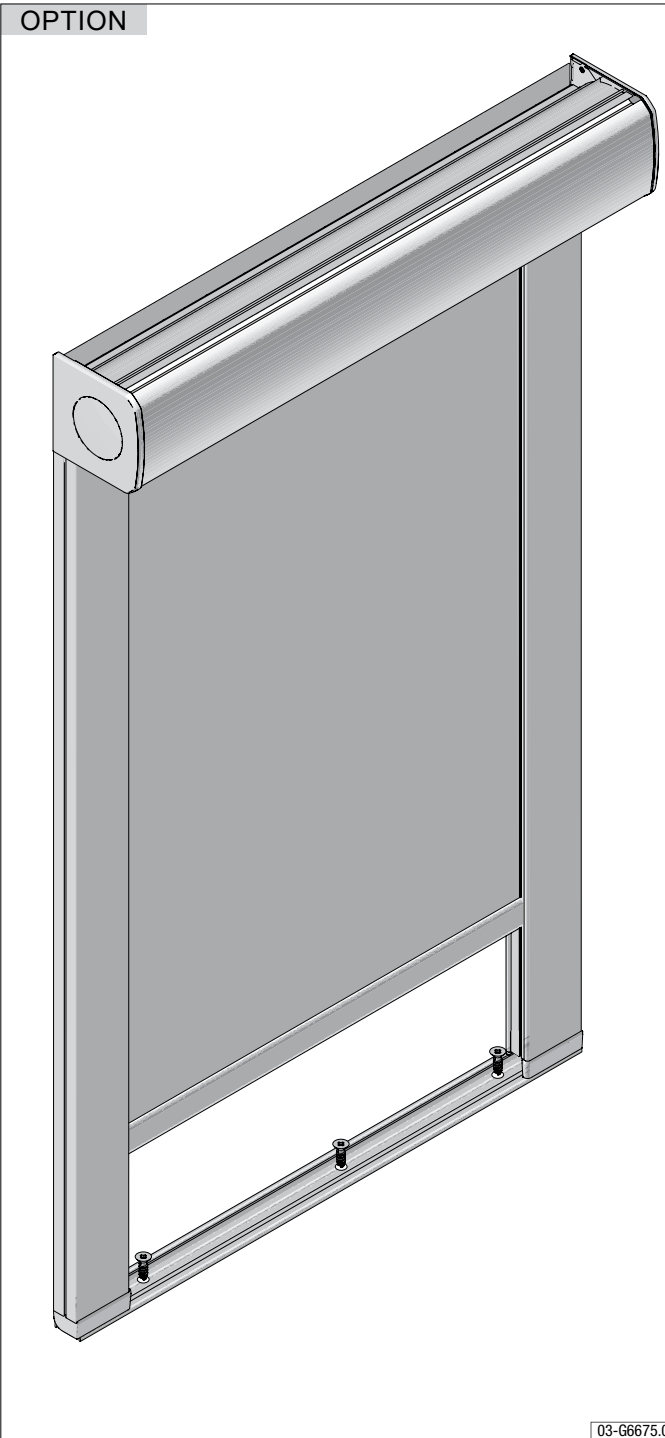
03-M0299.0



03-M0300.0

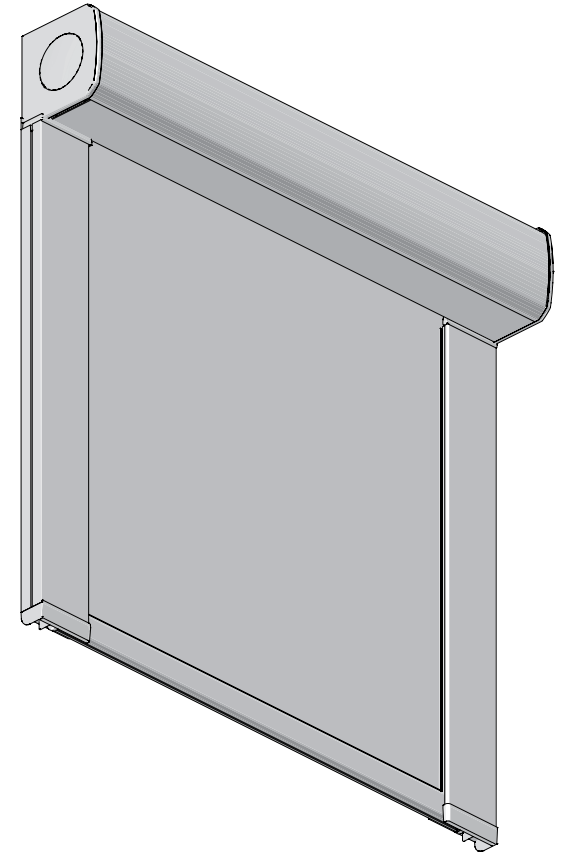


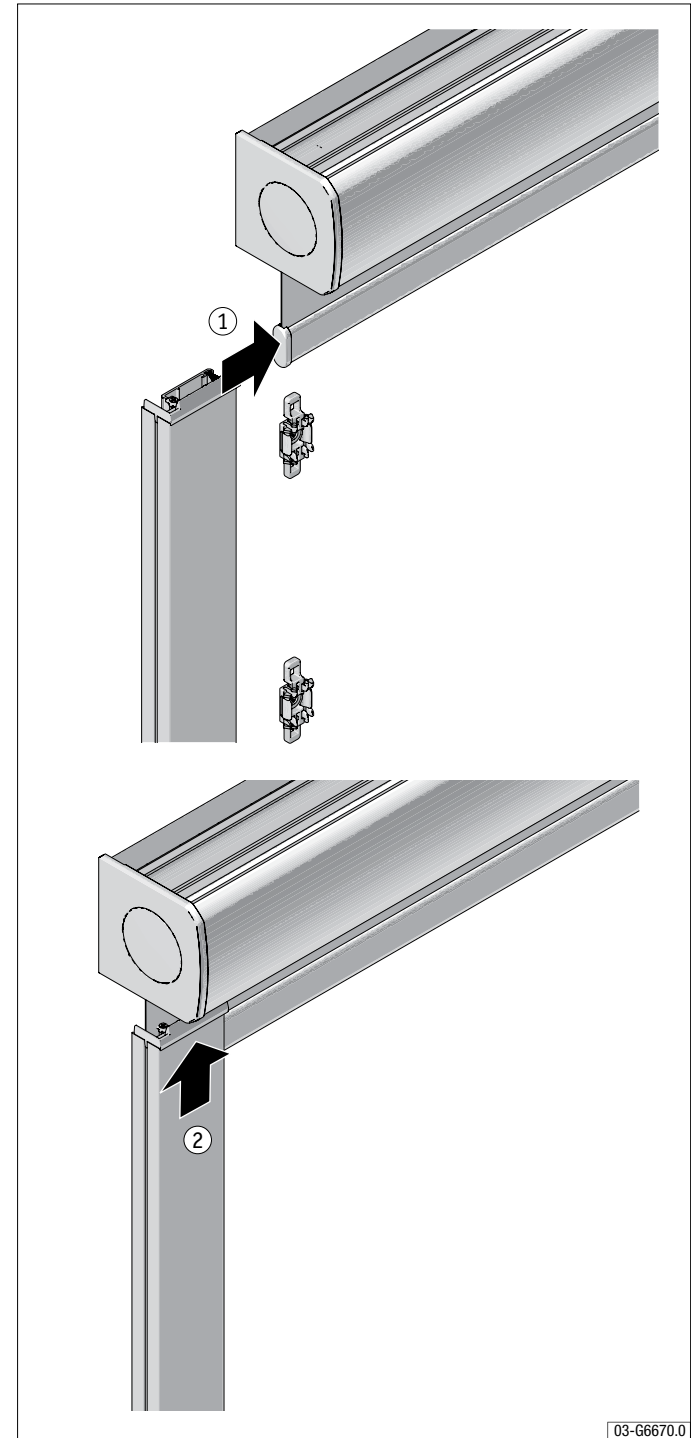
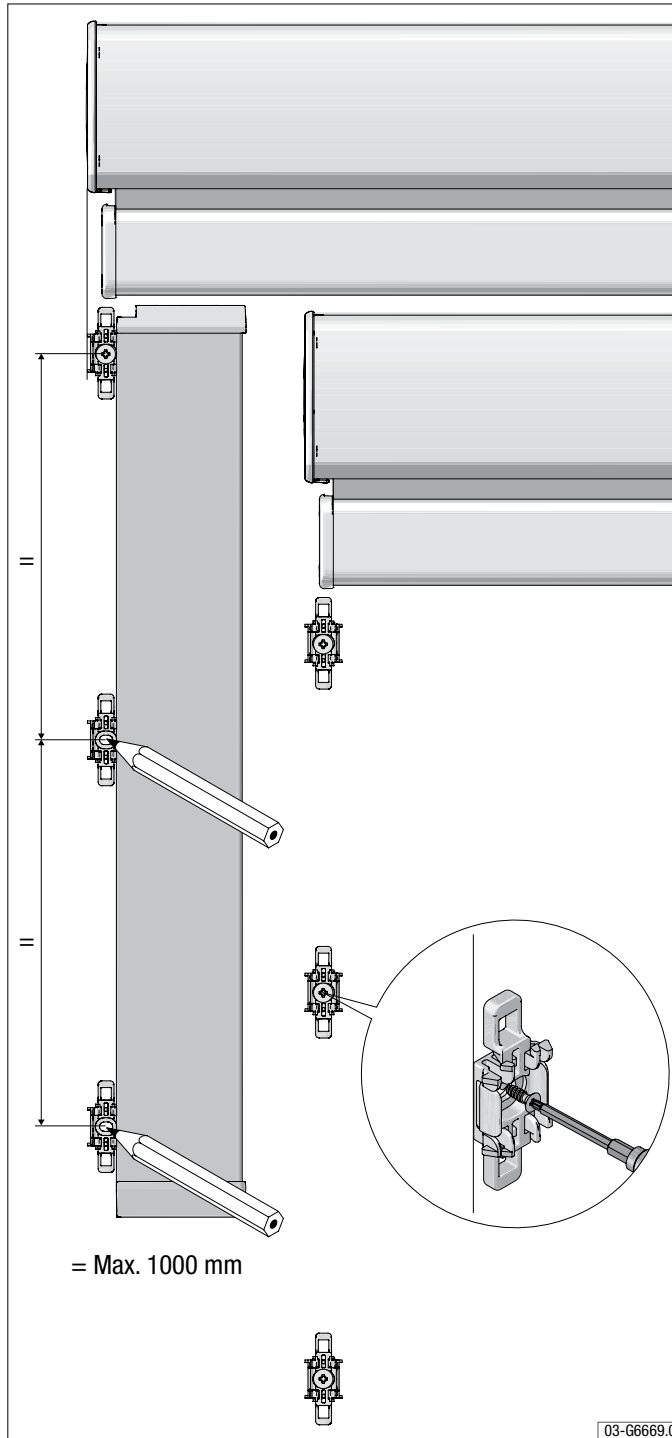
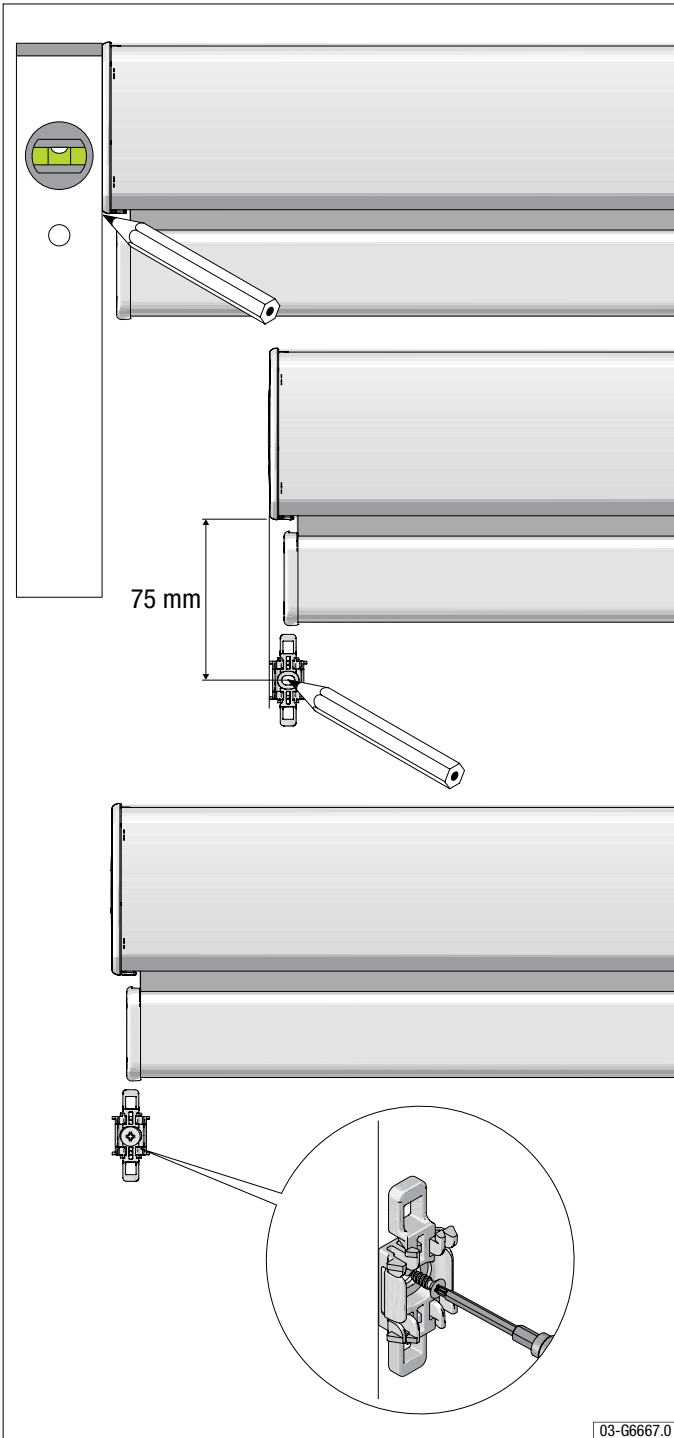
03-G6671.0



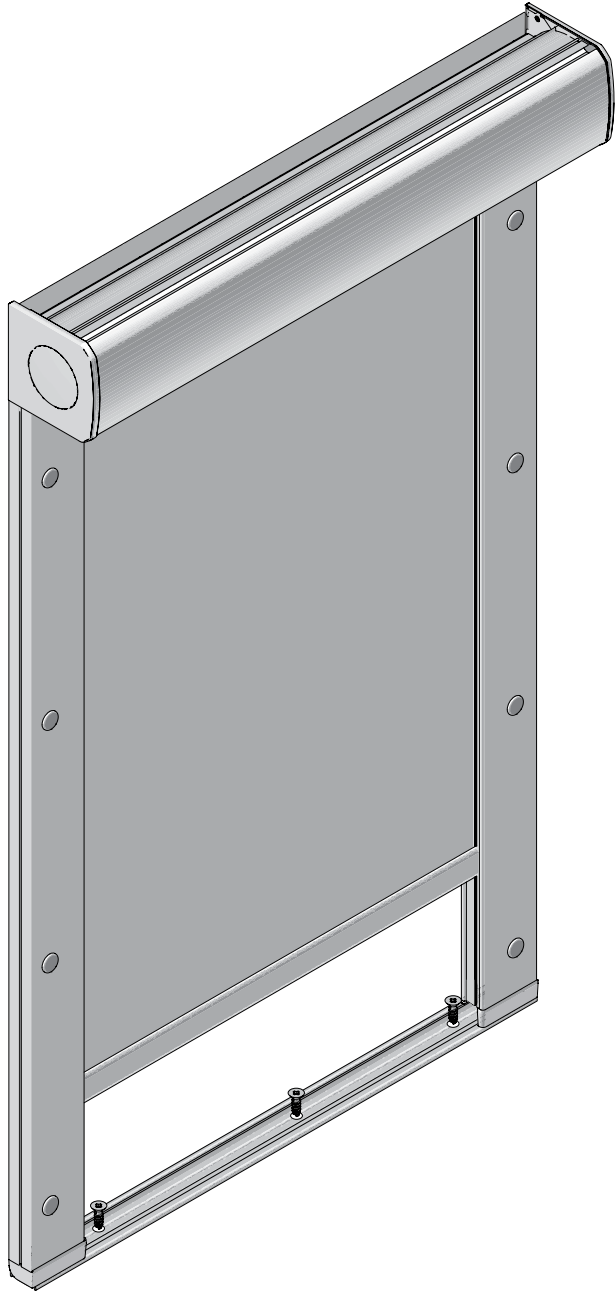
03-G6675.0

**i** **Installation Instruction**  
Roller Blind EOS® 500 Xcel  
Side Channel Guiding  
Type SCG 64 with clips





OPTION



03-G6680.0



## Installation Instruction

Roller Blind EOS® 500 Xcel  
Side Channel Guiding  
Type SCG 64 with screws

